

# Engineering Specification

Job Name \_\_\_\_\_  
 Job Location \_\_\_\_\_  
 Engineer \_\_\_\_\_  
 Approval \_\_\_\_\_

Contractor \_\_\_\_\_  
 Approval \_\_\_\_\_  
 Contractor's P.O. No. \_\_\_\_\_  
 Representative \_\_\_\_\_

## FD-810 Iowa Garage Drain

### Specification

Watts FD-810 epoxy coated cast iron garage drain with anchor flange, weepholes, 8" diameter fixed top with heel proof ductile iron grate, sediment bucket with weepholes, and no hub (standard) outlet.

Call customer service if you need assistance with technical details.

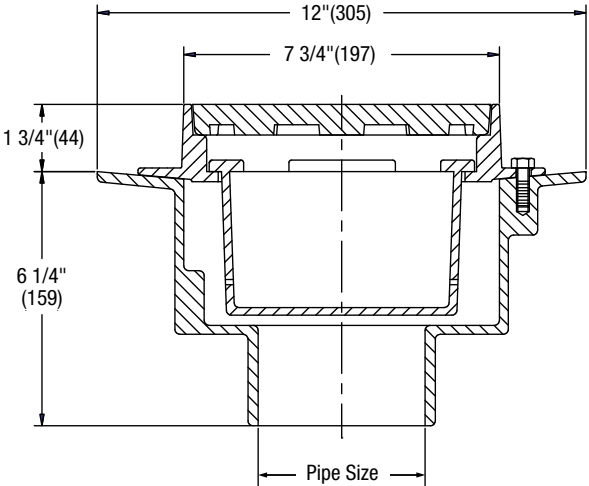


Pipe Sizing			Options		
Suffix	Description		Suffix	Description	
2	2"(51) Pipe Size	<input type="checkbox"/>	-1	Nickel Bronze Grate	<input type="checkbox"/>
3	3"(76) Pipe Size	<input type="checkbox"/>	-6	Vandal Proof	<input type="checkbox"/>
4	4"(102) Pipe Size	<input type="checkbox"/>	-7	Trap Primer Tapping	<input type="checkbox"/>
5	5"(127) Pipe Size (NH Only)	<input type="checkbox"/>	-8	Backwater Valve (2, 3, 4" Only)	<input type="checkbox"/>
6	6"(152) Pipe Size	<input type="checkbox"/>	-SB	Shallow Body 2 3/4" Deep (3, 4, 6" Only)	<input type="checkbox"/>
8	8"(203) Pipe Size (NH Only)	<input type="checkbox"/>			

Outlet Type		
Suffix	Description	
NH	No Hub (MJ)	<input type="checkbox"/>
P	Push On	<input type="checkbox"/>
T	Threaded Outlet	<input type="checkbox"/>
X	Inside Caulk	<input type="checkbox"/>

Optional Body Material		
Suffix	Description	
-60	PVC Body (2, 3, 4, 6" Only)	<input type="checkbox"/>
-61	ABS Body (2, 3, 4" Only)	<input type="checkbox"/>

Load Rating	Free Area Sq. In.
XHD	18



**NOTICE**  
 The load classifications are in accordance with the American National Standard ASME A112.21.1M ASME Ratings are as follows:  
 XHD Safe Live Load 7500-10,000 lbs. (3375-4500 kg)  
 The above categories are given as a guide only. Please consult factory.

**NOTICE**  
 The information contained herein is not intended to replace the full product installation and safety information available or the experience of a trained product installer. You are required to thoroughly read all installation instructions and product safety information before beginning the installation of this product.

Watts product specifications in U.S. customary units and metric are approximate and are provided for reference only. For precise measurements, please contact Watts Technical Service. Watts reserves the right to change or modify product design, construction, specifications, or materials without prior notice and without incurring any obligation to make such changes and modifications on Watts products previously or subsequently sold.



**USA:** T: (800) 338-2581 • Watts.com  
**Canada:** T: (888) 208-8927 • Watts.ca  
**Latin America:** T: (52) 55-4122-0138 • Watts.com

