

Engineering Specification

Job Name _____
 Job Location _____
 Engineer _____
 Approval _____

Contractor _____
 Approval _____
 Contractor's P.O. No. _____
 Representative _____

FD-450-F Area Drain with 15" x 15" Fixed Top



Specification

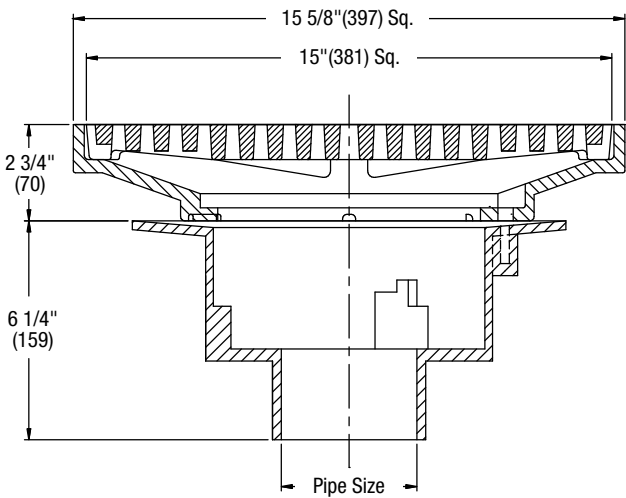
Watts FD-450-F epoxy coated cast iron area drain with anchor flange, weepholes, 15 5/8" x 15 5/8" square fixed top with heel proof ductile iron grate, and no hub (standard) outlet.

Pipe Sizing	
Suffix	Description
2	2"(51) Pipe Size <input type="checkbox"/>
3	3"(76) Pipe Size <input type="checkbox"/>
4	4"(102) Pipe Size <input type="checkbox"/>
5	5"(127) Pipe Size (NH Only) <input type="checkbox"/>
6	6"(152) Pipe Size <input type="checkbox"/>
8	8"(203) Pipe Size (NH Only) <input type="checkbox"/>

Outlet Type	
Suffix	Description
NH	No Hub (MJ) <input type="checkbox"/>
P	Push On <input type="checkbox"/>
T	Threaded Outlet <input type="checkbox"/>
X	Inside Caulk <input type="checkbox"/>

Optional Body Material	
Suffix	Description
-60	PVC Body w/Socket Outlet <input type="checkbox"/>
-61	ABS Body w/Socket Outlet <input type="checkbox"/>

Options	
Suffix	Description
-1	Nickel Bronze Top <input type="checkbox"/>
-5	Sediment Bucket <input type="checkbox"/>
-6	Vandal Proof <input type="checkbox"/>
-7	Trap Primer Tapping <input type="checkbox"/>
-8	Backwater Valve (2, 3, 4" Only) <input type="checkbox"/>
-9	Hinged Grate <input type="checkbox"/>
-13	All Galvanized <input type="checkbox"/>
-21	Secondary Strainer <input type="checkbox"/>
-34	Closure Plug <input type="checkbox"/>
-F4-50	4" Round Cast Iron Funnel <input type="checkbox"/>
-F4-1	4" Round Nickel Bronze Funnel <input type="checkbox"/>
-F6-1	6" Round Nickel Bronze Funnel <input type="checkbox"/>
-G-50	4 x 9" Oval Cast Iron Funnel <input type="checkbox"/>
-G-1	4 x 9" Oval Nickel Bronze Funnel <input type="checkbox"/>
-SB	Shallow Body 2 3/4" Deep (3, 4, 6" NH/P, 8" NH) <input type="checkbox"/>
-S0	Side Outlet <input type="checkbox"/>



Load Rating	Free Area Sq. In.
XHD	57

NOTICE

The load classifications are in accordance with the American National Standard ASME A112.21.1M ASME Ratings are as follows:
 XHD Safe Live Load 7500-10,000 lbs. (3375-4500 kg)
 The above categories are given as a guide only. Please consult factory.

NOTICE

The information contained herein is not intended to replace the full product installation and safety information available or the experience of a trained product installer. You are required to thoroughly read all installation instructions and product safety information before beginning the installation of this product.

Watts product specifications in U.S. customary units and metric are approximate and are provided for reference only. For precise measurements, please contact Watts Technical Service. Watts reserves the right to change or modify product design, construction, specifications, or materials without prior notice and without incurring any obligation to make such changes and modifications on Watts products previously or subsequently sold.

