

# Engineering Specification

Job Name \_\_\_\_\_ Contractor \_\_\_\_\_  
 Job Location \_\_\_\_\_ Approval \_\_\_\_\_  
 Engineer \_\_\_\_\_ Contractor's P.O. No. \_\_\_\_\_  
 Approval \_\_\_\_\_ Representative \_\_\_\_\_

## FD-360-Y Area Drain with 15" Fixed Top

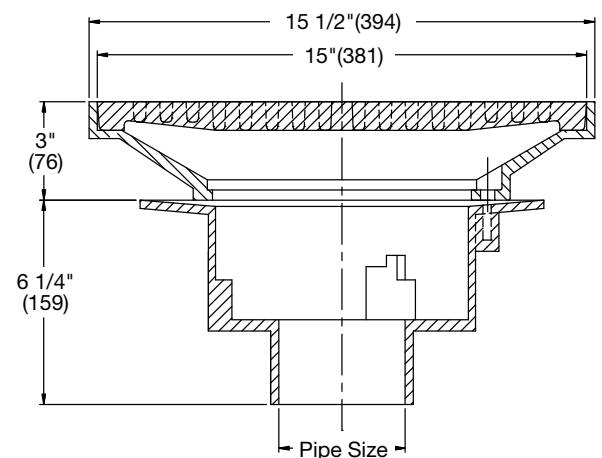
### Specification

Watts FD-360-Y epoxy coated cast iron area drain with anchor flange, weepholes, 15 1/2" diameter fixed top with heel proof ductile iron grate, and no hub (standard) outlet.



Call customer service if you need assistance with technical details.

Pipe Sizing			Options		
Suffix	Description		Suffix	Description	
2	2"(51) Pipe Size	<input type="checkbox"/>	-1	Nickel Bronze Top	<input type="checkbox"/>
3	3"(76) Pipe Size	<input type="checkbox"/>	-5	Sediment Bucket	<input type="checkbox"/>
4	4"(102) Pipe Size	<input type="checkbox"/>	-6	Vandal Proof	<input type="checkbox"/>
5	5"(127) Pipe Size (NH Only)	<input type="checkbox"/>	-7	Trap Primer Tapping	<input type="checkbox"/>
6	6"(152) Pipe Size	<input type="checkbox"/>	-8	Backwater Valve (2, 3, 4" Only)	<input type="checkbox"/>
8	8"(203) Pipe Size (NH Only)	<input type="checkbox"/>	-13	Galvanized Body	<input type="checkbox"/>
Outlet Type			-21	Secondary Strainer	<input type="checkbox"/>
Suffix	Description		-34	Closure Plug	<input type="checkbox"/>
NH	No Hub (MJ)	<input type="checkbox"/>	-F4-50	4" Round Cast Iron Funnel	<input type="checkbox"/>
P	Push On	<input type="checkbox"/>	-F4-1	4" Round Nickel Bronze Funnel	<input type="checkbox"/>
T	Threaded	<input type="checkbox"/>	-F6-1	6" Round Nickel Bronze Funnel	<input type="checkbox"/>
X	Inside Caulk	<input type="checkbox"/>	-G-50	4" x 9" Oval Cast Iron Funnel	<input type="checkbox"/>
Optional Body Material			-G-1	4" x 9" Oval Nickel Bronze Funnel	<input type="checkbox"/>
Suffix	Description		-S0	Side Outlet (2, 3, 4" Only)	<input type="checkbox"/>
-60	PVC Body w/Socket Outlet	<input type="checkbox"/>	Load Rating      Free Area Sq. In.		
-61	ABS Body w/Socket Outlet	<input type="checkbox"/>	XHD	61	



### NOTICE

The load classifications are in accordance with the American National Standards ASME A112.21.1M ASME Ratings are as follows:  
 XHD - Safe Live Load 7500-10,000 lbs. (3375-4500 kg)  
 The above categories are given as a guide only. Please consult factory.

### NOTICE

The information contained herein is not intended to replace the full product installation and safety information available or the experience of a trained product installer. You are required to thoroughly read all installation instructions and product safety information before beginning the installation of this product.

Watts product specifications in U.S. customary units and metric are approximate and are provided for reference only. For precise measurements, please contact Watts Technical Service. Watts reserves the right to change or modify product design, construction, specifications, or materials without prior notice and without incurring any obligation to make such changes and modifications on Watts products previously or subsequently sold.

