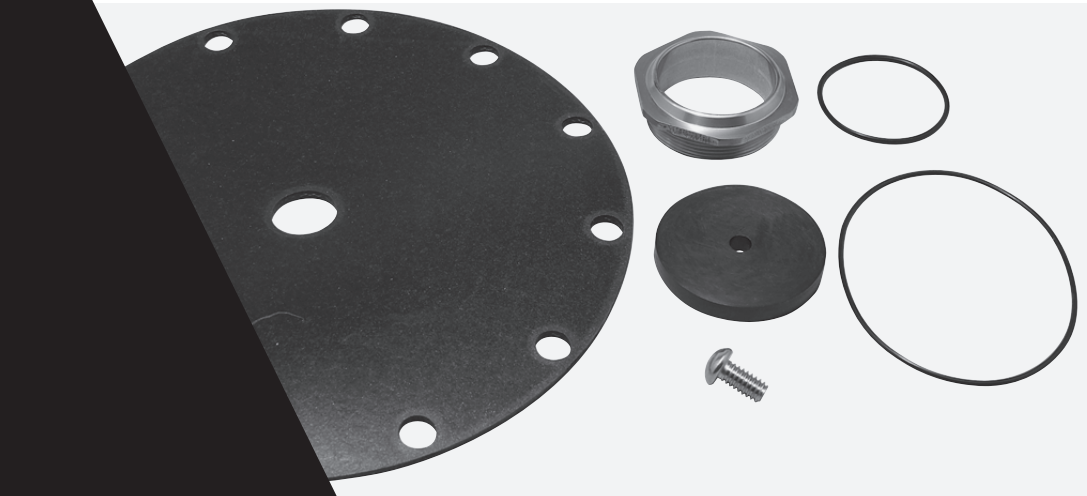
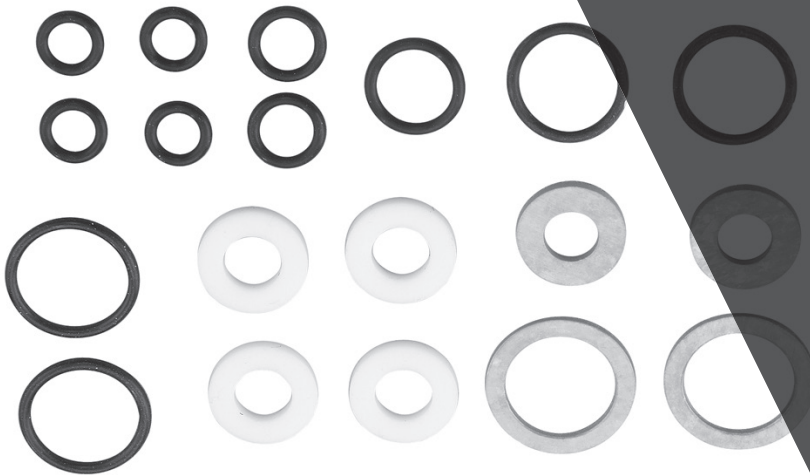
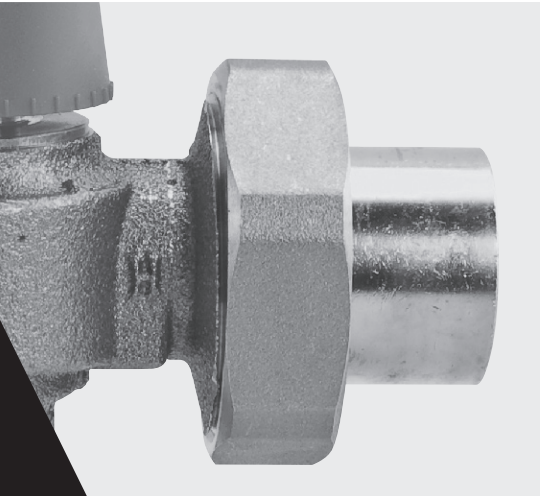


Price List

Repair Kits and Service Parts (For all Watts products except Backflow Preventers)



Effective January 8, 2024

All prices supersede previous issues, are temporary and subject to change without notice.

Your Discount

Electronic is Green!

For the latest Watts pricing information in electronic format, visit our Data Exchange at:

<http://www.wattswater.com/DataExchange>

- Download product and list price data in .csv, .pdf, .tsv, .xls and .xml formats
- Easy access to list price data for business systems
- Sign up for e-mail alerts when data is updated
- Access other Watts Water Technologies brands pricing data

Table of Contents

1 Pressure Regulators

LFU5-Z3	3
LF25AUB, LF25AUB-Z3	3
LFN45B, LFN45B-EZ	4
LF223, LFN223B	4
LFN223F	4
LF23, LF123, LFN250, LFN256	5
LF215	5
LF26A, LF263A, LFSS263AP	5
LF560, LFH560	6
P60	6
Union Nuts, Tailpieces & Gaskets/O-rings.....	7
Replacement Parts.....	8-9
Jumper Kits.....	10
127, 127W	11
152A, 152AT, 252A, 252AT	12
152SS	13
152SST	13

2 Ball Valves

Bronze Ball Valve Parts & Kits	14-17
G4000-M1	18

3 Gate, Globe, Check Valves

405	19
LF408	19
LF600, LF601	19

4 Strainers

Strainer Screens & Gaskets	20
777SI, S777SI	20

5 Hydronic Heating Products

2000	21
142, 144	22
N50, N89	22
FS10, FS20.....	22

6 Tempering Valves

LF1170-M2	23
LFMMV-M1	24
LF70A	25
LFN170-M3, LFN170-M3 CSUT	26

7 Plumbing Specialties

1070 & G1070	27
2.....	27
A200	27
FH-M1, FHV, FHB.....	28

8 Dielectric Unions

3000	29
------------	----

9 Illinois Steam Product Parts

Series G, GH, MGH, MG, HG and T Thermostatic Trap Parts	30
Series G, GF, MG & MGF Float & Thermostatic Trap Parts	31
Series 30 High Pressure Trap Parts	31
Series 30 Steam Trap Valve Seat & Gasket Kits	31
Valve Seat and Gasket Kit Ordering Codes for Series G, GF, MG, MGF F & T Traps	32
Series 65 Radiator / Supply Valve Parts.....	32

Terms and Conditions

FREIGHT TERMS: All shipments are F.O.B. shipping point. Shipments from factory less than 1000 lbs. are F.O.B. factory. Factory shipments OF \$5000 and over within the continental U.S.A. will be prepaid and allowed when made at the lowest motor carrier transportation rate.

TERMS OF SALE: All sales are F.O.B. shipping point.

PAYMENT TERMS: The invoices are due and payable 30 days from the date of invoice.

PURCHASE ORDER FORMS: Orders submitted on customer's own purchase order forms will be accepted only with the express understanding that no statements, clauses, or conditions contained in said order form will be binding on the Seller if they in any way modify the Seller's own terms and conditions of sales.

STOCKING WHOLESALER MINIMUM CHARGE: A minimum billing charge of \$100.00 applies to shipments F.O.B. factory. Stocking Wholesaler Customers are encouraged to order sufficient material to avoid this charge which is necessitated by increased costs of processing small orders.

SPECIAL PRODUCTS: Orders for special or modified products are non-cancelable. In the event that the customer cancels an order for such products, Watts shall charge the customer an amount equal to Watts' costs and expenses incurred in performing the purchase order prior to receipt of notice of cancellation.

LIMITED WARRANTY: Watts Regulator Co. (the "Company") warrants each product to be free from defects in material and workmanship under normal usage for a period of one year from the date of original shipment. In the event of such defects within the warranty period, the Company will, at its option, replace or recondition the product without charge.

THE WARRANTY SET FORTH HEREIN IS GIVEN EXPRESSLY AND IS THE ONLY WARRANTY GIVEN BY THE COMPANY WITH RESPECT TO THE PRODUCT. THE COMPANY MAKES NO OTHER WARRANTIES, EXPRESS OR IMPLIED. THE COMPANY HEREBY SPECIFICALLY DISCLAIMS ALL OTHER WARRANTIES, EXPRESS OR IMPLIED, INCLUDING BUT NOT LIMITED TO THE IMPLIED WARRANTIES OF MERCHANTABILITY AND FITNESS FOR A PARTICULAR PURPOSE.

The remedy described in the first paragraph of this warranty shall constitute the sole and exclusive remedy for breach of warranty, and the Company shall not be responsible for any incidental, special or consequential damages, including without limitation, lost profits or the cost of repairing or replacing other property which is damaged if this product does not work properly, other costs resulting from labor charges, delays, vandalism, negligence, fouling caused by foreign material, damage from adverse water conditions, chemical, or any other circumstances over which the Company has no control. This warranty shall be invalidated by any abuse, misuse, misapplication, improper installation or improper maintenance or alteration of the product.

Some States do not allow limitations on how long an implied warranty lasts, and some States do not allow the exclusion or limitation of incidental or consequential damages. Therefore the above limitations may not apply to you. This Limited Warranty gives you specific legal rights, and you may have other rights that vary from State to State. You should consult applicable state laws to determine your rights. **SO FAR AS IS CONSISTENT WITH APPLICABLE STATE LAW, ANY IMPLIED WARRANTIES THAT MAY NOT BE DISCLAIMED, INCLUDING THE IMPLIED WARRANTIES OF MERCHANTABILITY AND FITNESS FOR A PARTICULAR PURPOSE, ARE LIMITED IN DURATION TO ONE YEAR FROM THE DATE OF ORIGINAL SHIPMENT.**

SERVICE POLICY: For inoperative products beyond the warranty period, we assume no liability for replacement of valves due to service conditions beyond our control.

RETURNED GOODS: No material shall be returned without authorization. When credit is issued it will be at the price charged, or prevailing price if lower, less handling charges based on costs of reconditioning, boxing, etc. However, a minimum 25% handling charge will apply. A minimum handling charge of \$20.00 is applied whenever the 25% handling deduction does not total \$20.00. Products which are obsolete or made to special order are not returnable.

NOTE: Prices and terms are subject to change without notice and supersede all previous quotations. The right is reserved to change or modify product design or construction without prior notice and without incurring any obligation to make such changes and modifications on products previously or subsequently sold.

Series LFU5-Z3

Water Pressure Reducing Valves

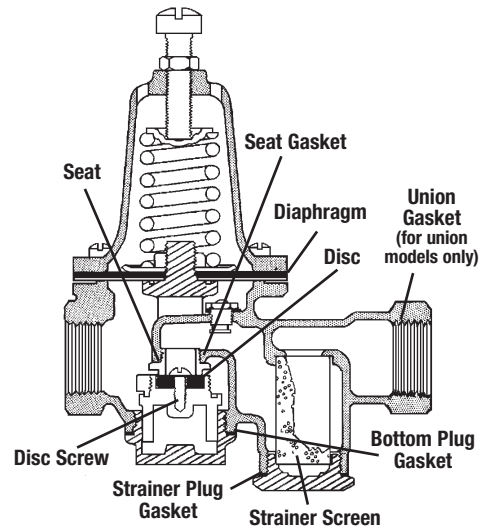
Sizes 1/2" – 2"

Repair Kits

When ordering specify Ordering Code, Kit No., and Valve Size.

ORDERING CODE	KIT NO.	VALVE SERIES	SIZE (IN.)	LIST PRICE
0125121	LFKIT-A-RK	LFU5-Z3	1/2"	\$168.00
0125122	LFKIT-B-RK	LFU5-Z3	3/4"	172.50
0125123	LFKIT-C-RK	LFU5-Z3	1"	180.00
0125124	LFKIT-D-RK	LFU5-Z3	1 1/4"	282.50
0125125	LFKIT-E-RK	LFU5-Z3	1 1/2"	382.00
0125126	LFKIT-F-RK	LFU5-Z3	2"	551.00

Kit for LFU5-Z3 includes all items shown at right



Series LF25AUB, LF25AUB-Z3

Water Pressure Reducing Valves

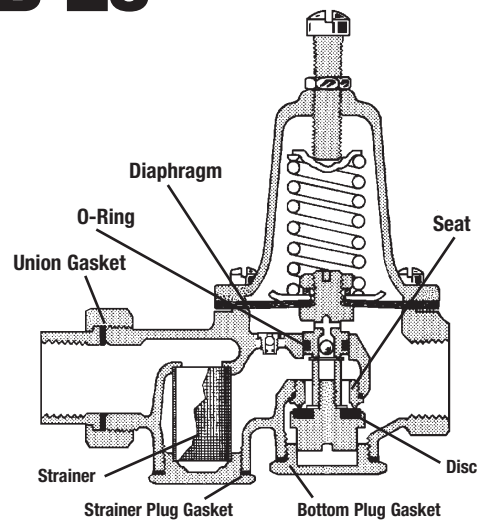
Sizes 1/2" – 2"

Lead Free* Repair Kits

When ordering specify Ordering Code, Kit No., and Valve Size.

ORDERING CODE	KIT NO.	VALVE SERIES	SIZE (IN.)	LIST PRICE
0864941	1/2" LF25AUB-RK	LF25AUB, LF25AUB-Z3	1/2"	\$153.00
0864943	3/4" LF25AUB-RK	LF25AUB, LF25AUB-Z3	3/4"	156.00
0864942	1" LF25AUB-RK	LF25AUB, LF25AUB-Z3	1"	158.00
0864944	1 1/4" LF25AUB-RK	LF25AUB, LF25AUB-Z3	1 1/4"	180.50
0864945	1 1/2" LF25AUB-RK	LF25AUB, LF25AUB-Z3	1 1/2"	184.50
0864946	2" LF25AUB-RK	LF25AUB, LF25AUB-Z3	2"	209.00

Kit for LF25AUB, LF25AUB-Z3 includes all items shown at right



For replacement parts see pp.7-9

* The wetted surface of this product contacted by consumable water contains less than 0.25% of lead by weight

Series LFN45B, LFN45B-EZ

Water Pressure Reducing Valves

Sizes 3/4" – 1"

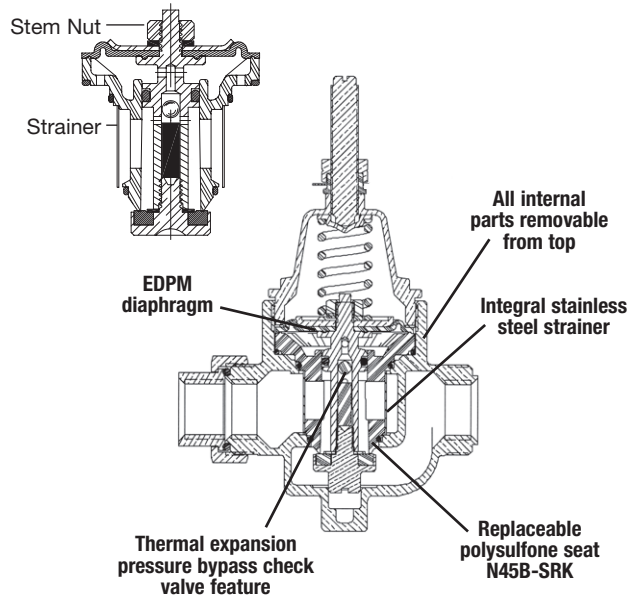
Repair Kits

When ordering specify Ordering Code, Kit No., and Valve Size.

ORDERING CODE	KIT NO.	VALVE SERIES	SIZE (IN.)	LIST PRICE
0006960	LFN45B/N55B-EZ-M1-RK	LFN45B/LFN55B-EZ	3/4" – 1"	\$58.00

Kit for LFN45, LFN45B-EZ includes Parts shown at right

COMPLETE SEAT/STEM REPLACEMENT MODULE (includes diaphragm)



Series LF223, LFN223B

High Capacity Water Pressure Regulators

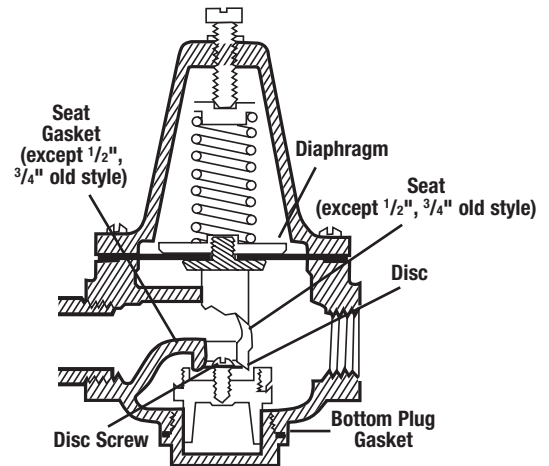
Sizes 1/2" – 3"

Repair Kits

When ordering specify Ordering Code, Kit No., and Valve Size.

ORDERING CODE	KIT NO.	VALVE SERIES	SIZE (IN.)	LIST PRICE
0125123	LFKIT-C-RK	LF223	1/2"-3/4"	\$180.00
0125124	LFKIT-D-RK	LF223	1"	282.50
0125125	LFKIT-E-RK	LF223	1 1/4"	382.00
0125369	LF223N-RK	LFN223	1 1/2"	426.00
0125370	LF223N-RK	LFN223	2"	695.50
0125371	LF223N-RK	LFN223	2 1/2"	702.50
0125372	LFN223M2-RK	LFN223	2 1/2"	702.50
0877555	LFN223-RK	LF223	2 1/2"-3"	709.00

Kit for LF223, LFN223B includes parts shown at right



Series LFN223F

Flanged High Capacity Water Pressure Regulators

Size 3"

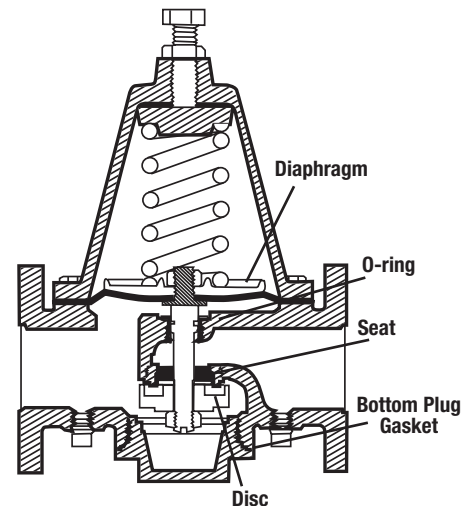
Repair Kits

When ordering specify Ordering Code, Kit No., and Valve Size.

ORDERING CODE	KIT NO.	VALVE SERIES	SIZE (IN.)	LIST PRICE
0878307	LFN223F-RK	LFN223F	3"	\$428.00
0878306	LFN223-RK	LFN223F-M2	3"	335.50

Kit for LFN223F includes parts shown at right

Kit for LFN223F-M1-M2 includes all rubber parts



For replacement parts see pp.7- 9

Series LF23, LF123, LFN250, LFN256

Water Pressure Reducing Valves

Sizes 1/2" - 3/4"

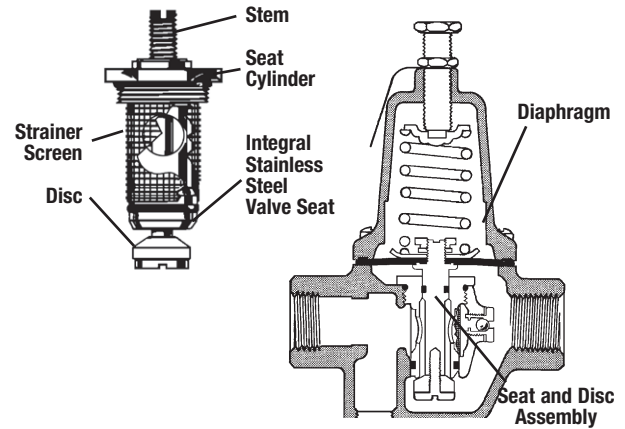
Repair Kits

When ordering specify Ordering Code, Kit No., and Valve Size.

ORDERING CODE	KIT NO.	VALVE SERIES	SIZE (IN.)	LIST PRICE
0125373	1/2" LFN250-RK	LF23, LF123, LFN250	1/2"	\$151.00
0125374	3/4" LFN250-RK	LF23, LF123, LFN250, LFN256	3/4"	158.50

Kit for LF23, LF123, LFN250, LFN256, includes all items shown at right.

Complete Replacement Assembly (Includes Diaphragm)



Series LF215

Pressure Regulators

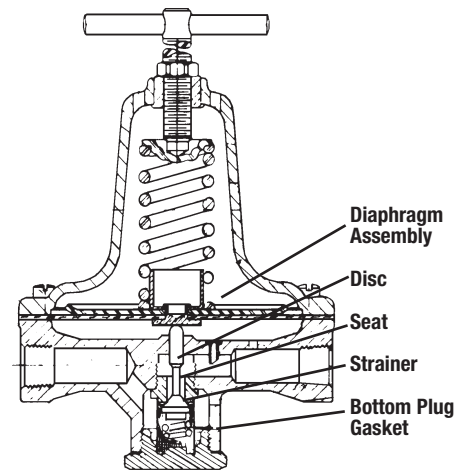
Sizes 1/4" - 3/8"

Repair Kits

When ordering specify Ordering Code, Kit No., and Valve Size.

ORDERING CODE	KIT NO.	VALVE SERIES	SIZE (IN.)	LIST PRICE
0125132	RK LF215 Y K	LF215	1/4" - 3/8"	\$214.50

Kit for 215 includes parts shown at right



Series LF26A, LF263A, SS263AP

Small Pressure Regulators

Sizes 1/8" - 1/2"

Repair Kits

When ordering specify Ordering Code, Kit No., and Valve Size.

ORDERING CODE	KIT NO.	VALVE SERIES	SIZE (IN.)	LIST PRICE
0125360	LFSS263AP-RK	SS263AP	ALL	\$30.00
0125361	LF26A-RK	LF26A, LF263A	ALL	62.25
0335110	SS263 AP-RK-V	SS263AP	ALL	224.50

Pressure Gauges

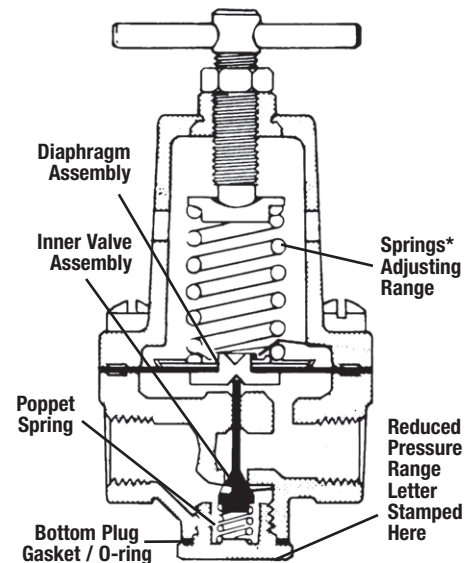
0121697	1/4" LFDPG3-2	LF26A, LF263A, SS263AP		\$66.00
---------	---------------	------------------------	--	---------

ORDERING CODE	RANGE LETTER	SPRING NO.	SIZE (IN.)	LIST PRICE
---------------	--------------	------------	------------	------------

*Adjusting Springs

1052055	"A"	326		\$17.25
1052038	"B"	260		9.75
1052039	"C"	261		11.50
1052040	"D"	262		12.75

Kit for LF26A, LFSS263AP includes all items shown at right except for adjust



*The wetted surface of this product contacted by consumable water contains less than 0.25% of lead by weight.

Series LF560, LFH560

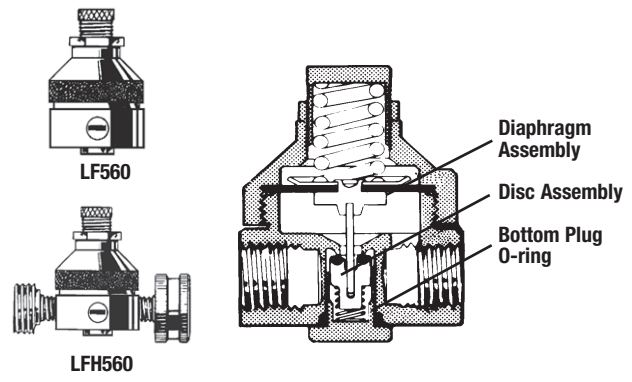
Mini Water Pressure Regulators

Sizes 1/8" x 1/4" and 3/4" x 3/4"

Repair Kits

ORDERING CODE	KIT NO.	VALVE SERIES	SIZE (IN.)	LIST PRICE
0981000	LFRK-H560	LF560, LFH560	ALL	\$56.75

LEAD FREE



Series P60

Plastic Water Regulators

Size 1/4"

Repair Kits

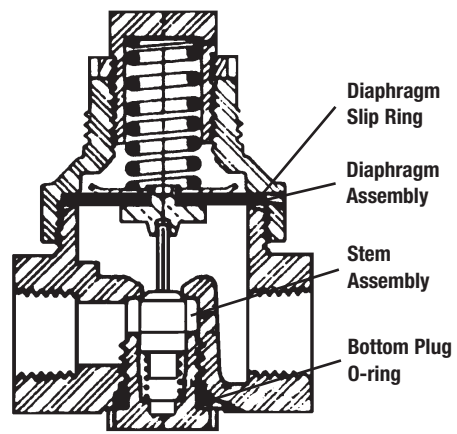
When ordering specify Ordering Code, Kit No., and Valve Size.

ORDERING CODE	KIT NO.	VALVE SERIES	SIZE (IN.)	LIST PRICE
0354563	P60-RK	P60	1/4"	\$44.00

Pressure Gauge

0121699	LFDPG3-20-160	P60	1/4"	\$66.00
---------	---------------	-----	------	---------

Kit for P60 includes parts shown at right

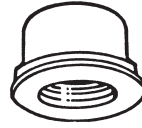


Series LFU5B-Z3, LF25AUB-Z3, LFN45B-M1

Union Nuts, Tailpieces, Gasket/O-rings



Union Nut



Union Tailpiece



Gasket / O-rings

Replacement Parts

When ordering specify Ordering Code, Part No., and Valve Size.

SIZE (IN.)	SERIES	UNION NUT ORDERING CODE	PART NO.	LIST PRICE	UNION TAILPIECE ORDERING CODE	PART NO.	LIST PRICE	UNION GASKET ORDERING CODE	PART NO.	LIST PRICE	
LFU5B-Z3/LF25AUB-Z3 SERIES											
LEAD FREE*	1/2"	LFU5B-Z3/LF25AUB-Z3	1140152	35AB140	\$6.75	2139051	135AB139	\$12.75	1101722	488XA101	\$0.72
	1/2"	LFU5BS-Z3/LF25AUBS-Z3	1140152	35AB140	6.75	2139057	135AB139-S	11.50	1101722	488XA101	0.72
	3/4"	LFU5B-Z3/LF25AUB-Z3	1140153	35BB140	14.50	2139052	135BB139	19.25	1101192	6010BB101	0.90
	3/4"	LFU5BS-Z3/LF25AUBS-Z3	1140153	35BB140	14.50	2139058	135BB139-S	19.25	1101192	6010BB101	0.90
	1"	LFU5B-Z3/LF25AUB-Z3	1140154	35CB140	27.50	2139053	135CB139	37.75	1101930	5CB101	0.81
	1"	LFU5BS-Z3/LF25AUBS-Z3	1140154	35CB140	27.50	2139059	135CB139-S	28.25	1101930	5CB101	0.81
	1 1/4"	LFU5B-Z3/LF25AUB-Z3	1140155	5DB140	62.50	2139054	5DB139	70.75	1101931	5DB101	1.50
	1 1/4"	LFU5BS-Z3/LF25AUBS-Z3	1140155	5DB140	62.50	2139060	5DB139-S	39.25	1101931	5DB101	1.50
	1 1/2"	LFU5B-Z3/LF25AUB-Z3	1140156	5EB140	87.25	2139055	5EB139	100.50	1101932	5EB101	2.25
	1 1/2"	LFU5BS-Z3/LF25AUBS-Z3	1140156	5EB140	87.25	2139061	5EB139-S	55.00	1101932	5EB101	2.25
	2"	LFU5B-Z3/LF25AUB-Z3	1140157	5FB140	125.00	2139056	5FC139	119.00	1101933	909LB101	3.25
	2"	LFU5BS-Z3/LF25AUBS-Z3	1140157	5FB140	125.00	2139062	5FB139-S	111.00	1101933	909LB101	3.25
	LFN45B-M1, LFN45B-EZ-M1 SERIES										
	LEAD FREE*	3/4"	LFN45BU-M1	1140153	35BB140	14.50	2139052	135BB139	19.25	1101977	123-70EP101
3/4"		LFN45BUS-M1	1140153	35BB140	14.50	2139058	135BB139-S	19.25	1101977	123-70EP101	0.81
3/4"		LFN45BU-PEX-M1	1140153	35BB140	14.50	1139961	5B139-PEX	134.50	1101977	123-70EP101	0.81
3/4"		LFN45BU-CPVC-M1	1140153	35BB140	14.50	1139912	135BA139-CPVC	9.50	1101977	RP4AC101	0.81
3/4"		LFN45BM1-DU-PR	1140153	35BB140	14.50	2139090	PRVBA139-PRESS	37.75	1101977	123-70EP101	0.81
3/4"		LFN45BM1-DU-CEF	1140153	35BB140	14.50	1139501	5BA139-LL-ECO-F1960	CF**	1101977	123-70EP101	0.81
1"		LFN45BU-M1-DU	1140154	35CB140	27.50	2139053	135CB139	37.75	1101973	127-70EP101	0.97
1"		LFN45BUS-M1	1140154	35CB140	27.50	2139059	135CB139-S	28.25	1101973	127-70EP101	0.97
1"		LFN45BU-PEX-M1	1140154	35CB140	27.50	1139962	5C139-PEX	77.50	1101973	127-70EP101	0.97
1"		LFN45BU-CPVC-M1	1140154	35CB140	27.50	1139914	135CA139-CPVC	11.00	1101973	127-70EP101	0.97
1"		LFN45BM1-DU-PR	1140154	35CB140	27.50	2139091	PRVCA139-PRESS	CF**	1101973	127-70EP101	0.97
1"		LFN45BM1-DU-CEF	1140154	35CB140	27.50	1139502	5CA139-LL-ECO-F1960	CF**	1101973	127-70EP101	0.97

*The wetted surface of this product contacted by consumable water contains less than 0.25% of lead by weight.

Series LFU5-Z3, LF25AUB-Z3, LF223

Replacement Parts

When ordering specify Ordering Code, Kit No., and Valve Size.

1

Pressure Regulators

ORDERING CODE	PART NO.	LFU5-Z3						LF25AUB-Z3						LF223						LIST PRICE	
		1/2"	3/4"	1"	1 1/4"	1 1/2"	2"	1/2"	3/4"	1"	1 1/4"	1 1/2"	2"	1/2"	3/4"	1"	1 1/4"	1 1/2"	2"		2 1/2"
DIAPHRAGM																					
1020001	135A20	•						•	•												\$12.50
1020083	135B20		•							•				•							13.75
1020004	135C20			•							•	•			•						23.75
1020006	135D20				•										•						32.75
1020008	135E20						•														51.75
1020027	5E20					•										•					35.25
1020017	223E20																•				78.75
1020019	223F20																	•	•		91.50
DISCS																					
1037717	50B37							•	•												1.75
1037718	50C37									•											4.25
1037724	135F37																	•	•		10.50
SEATS																					
1016008	5A16	•																			\$12.25
1016009	5B16		•	•										•	•						34.50
1016010	5C16				•										•						44.75
1016011	5D16					•										•					52.25
1016012	5E16						•										•				119.00
1016013	5F16																	•	•		122.50
1016846	50B16-P							•	•												5.00
1016847	50C16-P									•											7.75
1016004	25DA16										•	•									28.25
1016267	25EA16											•									45.50
STRAINER SCREENS																					
1077002	135A77	•								•											\$16.00
1077004	135B77		•	•																	16.00
1077005	135C77				•																17.75
1077007	135E77						•														17.75
1077333	25DA77										•	•									7.25
1077105	25FA77												•								10.75
1077022	4500A77							•	•												15.50
ADJUSTMENT SPRINGS (NOT INCLUDED IN REPAIR KITS)																					
1052006	124	•						•	•												\$12.75
1052009	145			•						•	•		•	•							17.75
1052010	146				•										•						28.00
1052670	236-ZC					•						•				•					25.25
1052035	254		•							•											12.50
1052671	297-ZC						•														67.00
1052672	298-ZC																•				75.75
1052673	299-ZC																	•	•		118.00
1052067	3																			•	336.50

ORDERING CODE	PART NO.	SIZE (in.)	PRESSURE RATING	LIST PRICE
Replacement Pressure Gauges - All (GG) Series Regulators				
0121713	1/8" LFDPG5-2	1/8"	0-160psi	\$66.00
0121691	1/4" LFDPG5-2	1/4"	0-160psi	66.00

LEAD FREE

Kit for P60 includes parts shown at right

Series LFU5, LF25AUB, LF223

For Model "LP" and "BLP" Regulators

Replacement Parts

When ordering specify Ordering Code, Kit No., and Valve Size.

ORDERING CODE	PART NO.	LFU5-Z3						LF25AUB-Z3			LF223						LIST PRICE
		1/2"	3/4"	1"	1 1/4"	1 1/2"	2"	1/2"	3/4"	1"	1/2"	3/4"	1"	1 1/4"	1 1/2"	2"	
TEFLON® DIAPHRAGM PROTECTOR																	
1020002	135A20T	•						•	•								\$16.25
1020003	135B20T		•							•		•					18.25
1020005	135C20T			•								•					31.25
1020007	135D20T				•								•				39.00
1020084	5E20T					•								•			37.25
1020009	135E20T						•										46.00
1020088	223E20T													•			82.50
1020089	223F20T														•		48.75

ORDERING CODE	BOTTOM SPRING	LFU5-Z3						LF25AUB-Z3				LF223						LIST PRICE			
		1/2"	3/4"	1"	1 1/4"	1 1/2"	2"	1/2"	3/4"	1"	1 1/4"	1 1/2"	2"	1/2"	3/4"	1"	1 1/4"		1 1/2"	2"	2 1/2"
HIGH PRESSURE SPRING																					
1052070	125							•	•												\$41.25
1052035	254	•																			12.50
1052022	224		•																		26.50
1052007	128			•	•					•	•		•	•	•						55.75
1052016	187					•						•					•				97.00
1052671	297-ZC						•														67.00
1052672	298																	•			75.75
1052673	†299-ZC																		•	•	118.00
1052047	296								•										•	•	77.50

ORDERING CODE	BOTTOM SPRING	LFU5-Z3						LF25AUB-Z3				LF223						LIST PRICE			
		1/2"	3/4"	1"	1 1/4"	1 1/2"	2"	1/2"	3/4"	1"	1 1/4"	1 1/2"	2"	1/2"	3/4"	1"	1 1/4"		1 1/2"	2"	2 1/2"
BOTTOM SPRING																					
1052058	84**	•																			\$9.75
1052059	85							•	•												9.75
1105010	69		•	•	•					•				•	•	•					9.75
1052011	175					•	•									•	•				18.00
1052070	125																		•	•	41.25
1052711	710											•									206.50
1052710	709									•	•										26.25

ADJUSTABLE SPRINGS FOR HIGH PRESSURE RANGE The Standard reduced pressure range for adjusting springs is 25-75 lbs. However, adjusting springs for a higher pressure range 75-100 lbs. are available as listed.
BOTTOM SPRINGS To convert from standard range to low pressure range (10-35 lbs.), add Bottom Spring as listed.

†Standard Range Adjusting Spring is also used for High Pressure Range with the addition of two No. 296 Springs (Nested).

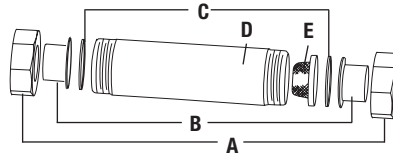
*Use No. 298 Adjusting Spring

** Use No. 111 Adjusting Spring 1052005 - \$5.50

Jumper Kits

Sizes 3/4" – 2"

Replacement Parts



Jumper Kit Exploded View

Kits consists of:
 A – Union Nut (2)
 B – Sweat Tailpiece (2)
 C – Fiber Washer (2)
 D – Jumper Nipple
 E – Screen

When ordering specify Ordering Code, Kit No., and Valve Size.

DESCRIPTION	ORDERING CODE 3/4"	LIST PRICE	ORDERING CODE 1"	LIST PRICE	ORDERING CODE 1 1/4"	LIST PRICE	ORDERING CODE 1 1/2"	LIST PRICE	ORDERING CODE 2"	LIST PRICE
			N/A	N/A	1028031 (25)	\$50.50	N/A	N/A		
(PVC)	N/A	N/A	1028022	46.25	1028170 (55)	27.00	N/A	N/A		
Jumper Nipple (Brass)	N/A	N/A	N/A	N/A			N/A	N/A	N/A	N/A
Fiber Washer	1103036	4.00	1203003	6.75	1203005	10.75	1203006	8.25	1203007	18.25
Screen	N/A	N/A	1077043	12.25	1077914	61.75	N/A	N/A	N/A	N/A
Male Sweat Tailpiece	N/A	N/A	1139851	73.75	N/A	N/A				
Union Nut	N/A	N/A								
O-Ring (Order Separately)										
N45B/N55B	1101977	0.81	1101973	0.97	-	-	1101932	2.25	1101933	3.25
25AUB-DU-LF-Z3	1101192	0.90	1101930	0.81	-	-	1101932	2.25	1101933	3.25

Complete Kits

With Plastic Nipple

MODEL	ORDERING CODE	SIZE (IN.)	LIST PRICE
Female x Female Copper Sweat Tailpiece			
JK-P-25 S	0006944	1 1/4"	\$127.00
JK-P-55 S	0007721	1 1/4"	165.00

Kit for P60 includes parts shown at right



Jumper Kit

HOW TO ORDER JUMPER KITS

Example: 3/4" JK P-345 S

Size: 3/4", 1", 1 1/4", 1 1/2", 2

Jumper Kit Designation: JK P - 345 S

Nipple Type: B = Brass P = Plastic

Fits Valve Model: 25 = 25AUB-Z3 345 = N45, N55 (3/4"-1") 55 = N45, N55 (1 1/4"-2")

Connection: M = Male brass solder S = Female copper solder

Jumper Kits Include: Jumper Nipple, strainer screen, 2 fiber washers, 2 union nuts and tailpieces as described above. Jumper Kits are the correct lay length for the water pressure reducing Valves as listed below. When removing Jumper Nipple and inserting the water pressure reducing valve, two O-rings (ordered separately) are required.

Series 127 & 127W

Steam/Water Pressure Regulators

Sizes 1/2" – 4"

Repair Kits

When ordering specify Ordering Code, Kit No., and Valve Size.

ORDERING CODE	PART NO.	ITEM	SIZE (IN.)	LIST PRICE
Complete Disc Assemblies				
0889210	127B37SRK	Disc Assembly (127 SS)	1/2", 3/4"	\$535.00
0889211	127C37SRK	Disc Assembly (127 SS)	1", 1 1/4"	616.50
0889212	127E37SRK	Disc Assembly (127 SS)	1 1/2"	709.00
0889213	127F37SRK	Disc Assembly (127 SS)	2"	868.00
0889214	127G37SRK	Disc Assembly (127 SS)	2 1/2"	1,005.00
0889215	127H37SRK	Disc Assembly (127 SS)	3", 4"	1,037.00
0889220	127H37RRK	Disc Assembly (127 W)	3", 4"	1,200.00

Includes all items marked**

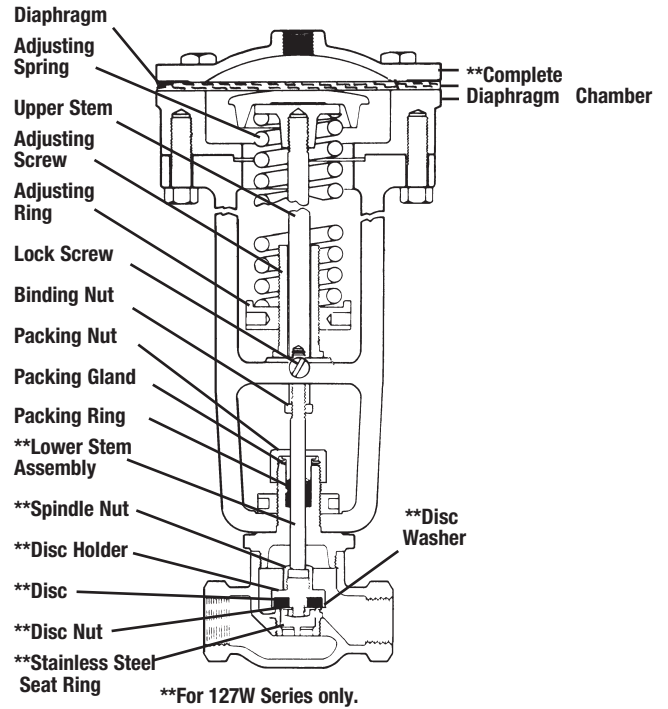
Complete Diaphragm Chamber

ORDERING CODE	PART NO.	ITEM	SIZE (IN.)	LIST PRICE
0889230	SA6L20G RK	Diaphragm Chamber	1/2" -4"	\$895.50
0889231	SA8L20G RK	Diaphragm Chamber	1/2" -4"	1,161.00
0889232	SA10L20G RK	Diaphragm Chamber	1/2" -4"	1,577.00

Replacement Parts

ORDERING CODE	PART NO.	ITEM	SIZE (IN.)	LIST PRICE
0889226	6L20 RK	Diaphragm 6"	1/2"-4"	\$112.50
0889227	8L20 RK	Diaphragm 8"	1/2"-4"	164.00
0889228	10L20 RK	Diaphragm 10"	1/2"-4"	277.00
See Below	***1 or ***2	*Adjusting Spring	1/2"-4"	
1050064	127A50	Upper Stem	1/2"-4"	53.75
1053046	39A53	Adjusting Screw	1/2"-4"	73.75
1054014	39A54	Adjusting Ring	1/2"-4"	95.00
1024007	1/4"-20" x 1/2"	Lock Screw	1/2"-4"	1.25
1051001	125A51	Binding Nut	1/2"-4"	16.25
1042006	2A42	Packing Nut	1/2"-4"	26.25
1041049	2A41	Packing Gland	1/2"-4"	18.00
1041011	***1	Packing Ring	1/2"-4"	6.25
1048026	127A48S	Spindle Nut	1/2"-4"	23.75
0889238	*RK-Black	Spring-Black	1/2"-4"	125.00
0889239	*RK-Green	Spring-Green	1/2"-4"	125.00

***1 Packing Ring - 3 required per valve



ORDERING CODE	PART NO.	ITEM	SIZE (IN.)	LIST PRICE
1049011	SA127A49S	Lower Stem Assy.	1/2"-2"	\$73.00
1049010	SA127G49S	Lower Stem Assy.	2 1/2", 3", 4"	92.50
1016211	127B16S	SS Seat Ring (127, 127SC)	1/2"-3/4"	195.00
1016212	127C16S	SS Seat Ring (127, 127SC)	1"-1 1/4"	148.00
1016213	127E16S	SS Seat Ring (127, 127SC)	1 1/2"	206.50
1016214	127F16S	SS Seat Ring (127, 127SC)	2"	217.50
1016215	127G16S	SS Seat Ring (127, 127SC)	2 1/2"	247.00
1016252	127H16S	SS Seat Ring (127, 127SC)	3", 4"	239.50

ORDERING CODE	PART NO.	ITEM	SIZE (IN.)	LIST PRICE
1037112	24HH37	Buna N Disc**	3", 4"	\$88.75
1051007	26V51	Disc Nut	1/2"-3/4"	4.25
1008001	125C8	Discwasher	1"-1 1/4"	6.25

Series 152A, 152AT, 252A, 252AT

Steam Pressure Regulators

Sizes 1/2" – 2"

When Ordering, Specify: 1. Ordering Code 2. Regulator Number
3. Part Name and Number or Kit Number 4. When Ordering Adjusting Spring, specify Reduced Pressure Range and Spring Number.

Repair Kits

ORDERING CODE	KIT NO.	MODELS	SIZE (IN.)	LIST PRICE
0875505	152ARK	152A, 252A	1/2"	\$421.50
0875605	152ARK	152A, 252A	3/4"	477.50
0875705	152ARK	152A, 252A	1" or 1 1/4"	598.00
0875725	152ARK	152A, 252A	1 1/2" or 2"	1,046.00
0875751	152ATRK	152AT, 252AT	1/2"	421.50
0875860	152ATRK	152AT, 252AT	3/4"	477.50
0875861	152ATRK	152AT, 252AT	1" or 1 1/4"	598.00

Complete repair kits include all items at right marked **

Repair Kits

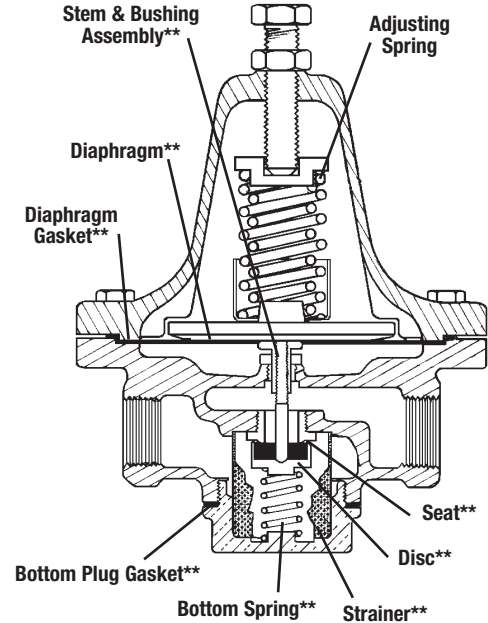
ORDERING CODE	PART NO.	ITEM	ADJUSTING SPRING RANGE-PSI	SIZE (IN.)	LIST PRICE
152A, 252A					
1052009	145	Adjusting Spring	3-15	1/2" or 3/4"	\$17.75
1052010	146	Adjusting Spring	3-15	1" or 1 1/4"	28.00
1052010	146	Adjusting Spring	10-30	1/2" or 3/4"	28.00
1052007	128	Adjusting Spring	10-30	1" or 1 1/4"	55.75
1052072	141	Adjusting Spring	30-140	1/2" or 3/4"	126.50
1052073	142	Adjusting Spring	30-140	1" or 1 1/4"	177.50
1052074	276	Adjusting Spring	5-40	1 1/2" or 2"	123.50
1052673	299-ZC (zinc)	Adjusting Spring	30-100	1 1/2" or 2"	118.00
1052131	576	Bottom Spring		1/2", 3/4", 1", 1 1/4"	6.25
1052651	616	Bottom Spring		1 1/2" or 2"	81.50
1101054	4 1/4" x 4 3/4"	Diaphragm Gasket		1/2" or 3/4"	15.50
1101057	5 3/8" x 6"	Diaphragm Gasket		1" or 1 1/4"	26.50
1101058	6" x 6 15/16"	Diaphragm Gasket		1 1/2" or 2"	20.50
1077029	152B77-M1	Strainer		1/2" or 3/4"	28.00
1077030	152C77-M1	Strainer		1" or 1 1/4"	28.00
1077006	135D77	Strainer		1 1/2" or 2"	20.50
1102109	152AA102-T	Bottom Plug		1/2" or 3/4"	10.50
1102042	152C102-T	Gasket		1", 1 1/4", 1 1/2", 2"	37.75
1016046	152AA16	Seat		1/2"	56.75
1016047	152BA16	Seat		3/4"	67.25
1016048	152CA16	Seat		1" or 1 1/4"	89.75
1016049	152EA16	Seat		1 1/2" or 2"	174.50
1029080	SA-152AA29	Stem, Disc, Seat & Bushing Assy		1/2"	173.00
1029082	SA-152CA29	Stem, Disc, Seat & Bushing Assy		1" or 1 1/4"	220.00
1029083	SA-152EA29	Stem, Disc, Seat & Bushing Assy		1 1/2" or 2"	362.50
1020107	152B20	Diaphragm (Order 3)		1/2" or 3/4"	12.25
1020108	152C20	Diaphragm (Order 3)		1" or 1 1/4"	19.25
1020110	152E20	Diaphragm (Order 3)		1 1/2" or 2"	27.50

ORDERING CODE	PART NO.	ITEM	SIZE (IN.)	LIST PRICE
---------------	----------	------	------------	------------

152AT - 252T

(Same parts as 152A, 252A except for following)

1105010	SPR 69	Bottom Spring	1/2", 3/4", 1", 1 1/4"	\$9.75
1016261	152AB16-M3	Seat	1/2"	74.00
1016032	152B16-M1	Seat	3/4"	84.00
1016262	152C16-M1	Seat	1" or 1 1/4"	154.00
1029189	SA-152C29T	Stem, Disc, Seat & Bushing Assy	1" or 1 1/4"	313.50



Series 152SS

Steam Pressure Regulators

Sizes 1/2" – 1"

Repair Kits

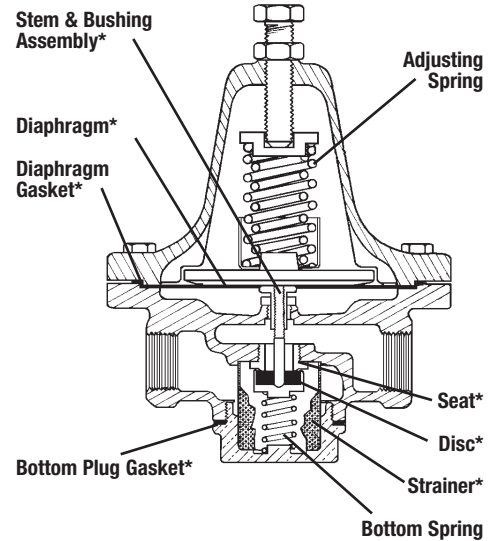
When ordering specify Ordering Code, Kit No., and Valve Size.

ORDERING CODE	PART NO.	MODELS	SIZE (IN.)	LIST PRICE
0875512	1/2" 152SS-RK	152SS	1/2"	\$1,008.00
0875627	3/4"-1" 152SS-RK	152SS	3/4"-1"	1,065.00

Kit for 152SS includes all items at right*

Replacement Parts

ORDERING CODE	PART NO.	ITEM	ADJUSTING SPRING RANGE-PSI	SIZE (IN.)	LIST PRICE
1052007	128	Adjusting Spring	3-15	1/2"-1"	\$55.75
1052202	591	Adjusting Spring	10-30	1/2"-1"	623.00
1052203	592	Adjusting Spring	30-140	1/2"-1"	890.50
1052200	589	Bottom Spring		1/2"-1"	342.00
1101054	4 1/4" x 4 3/4"	Diaphragm Gasket		1/2"-1"	15.50
1077029	152B77-M1	Strainer		1/2"-1"	28.00
1102109	152AA102-T	Bottom Plug Gasket		1/2"-1"	10.50
1016258	152SSAA16	Seat		1/2"	132.00
1016259	152SSCA16	Seat		3/4"-1"	145.00
1020138	152SSAA20	Diaphragm (order 3)		1/2"-1"	112.00



Series 152SST

Steam Pressure Regulators

Sizes 1/2" – 1"

Repair Kits

Same parts as 152SS except for

ORDERING CODE	PART NO.	ITEM	SIZE (IN.)	LIST PRICE
0875512	1/2" 152SS-RK	152SS	1/2"	\$1,008.00
0875627	3/4"-1" 152SS-RK	152SS	3/4"-1"	1,065.00

Kit for 152SS includes all items at right*

Replacement Parts

ORDERING CODE	PART NO.	ITEM	SIZE (IN.)	LIST PRICE
1105010	69	Bottom Spring	1/2"-1"	\$9.75
1016190	T152SSAA16	Seat	1/2"	161.50
1016138	T152SSCA16	Seat	3/4"-1"	144.00

Lead Free* Copper Silicon Alloy LFB6800, LFB6400, LFB6780 Ball Valves



SSK Series

When ordering specify Ordering Code, Kit No., and Valve Size.

ORDERING CODE	KIT NO.	VALVE SERIES	VALVE SIZE (IN.)	LIST PRICE
---------------	---------	--------------	------------------	------------

Seat and Seal Kits

ORDERING CODE	KIT NO.	VALVE SERIES	VALVE SIZE (IN.)	LIST PRICE
0885494	2 SSK-02-RK	LFB6800, LFB6801	1/4", 3/8", 1/2"	\$56.25
0885486	3 SSK-01-RK	LFB6400	1/4", 3/8", 1/2"	42.00
0885472	3 SSK-02-RK	LFB6400	1/4", 3/8", 1/2"	42.00
0885534	5 SSK-01-RK	LFB6800, LFB6801	3/4"	66.00
0885495	5 SSK-02-RK	LFB6800, LFB6801	3/4"	66.00
0885861	65 SSK-02-RK	LFB6400	1"	77.00
0885475	7 SSK-02-RK	LFB6400	1 1/4"	119.50
0885658	7 SSK-01-RK	LFB6800, LFB6801	1"	119.50
0885475	7 SSK-02-RK	LFB6800, LFB6801	1"	119.50
0885476	8 SSK-02-RK	LFB6400	1 1/2"	162.00
		LFB6800, LFB6801	1 1/4"	
0885491	9 SSK-01-RK	LFB6800, LFB6801	1 1/2"	206.00
0885477	9 SSK-02-RK	LFB6800, LFB6801	1 1/2"	206.00
0885477	9 SSK-02-RK	LFB6400	2"	206.00
0885625	10 SSK-01-RK	LFB6800, LFB6801	2"	320.50
0885721	10 SSK-02-RK	LFB6800, LFB6801	2"	320.50
0885721	10 SSK-02-RK	LFB6400	2 1/2"	320.50

ORDERING CODE	KIT NO.	VALVE SERIES	VALVE SIZE (IN.)	LIST PRICE
---------------	---------	--------------	------------------	------------

LEAD FREE	0885446	19 SSK-01-RK	LFB6780, LFB6781	1/4", 3/8", 1/2"	\$45.50
	0406321	SSK01RKM2 #8	LFB6780, LFB6781	1 1/4"	162.00
	0885533	23 SSK-01-RK	LFB6780	1 1/2"	162.00
	0885493	24 SSK-01-RK	LFB6780	2"	206.00

Seat and Seal Kit Option Codes:

Suffix:

01 - Virgin Teflon® (TFE)

02 - "Standard" Durafill®

2

Ball Valves

LEAD FREE

Lead Free* Copper Silicon Alloy LFB6800, LFB6400, LFB6780 Ball Valves

Ball and Stem Kits



BSK Series

When ordering specify Ordering Code, Kit No., and Valve Size.

ORDERING CODE	KIT NO.	VALVE SERIES	VALVE SIZE (IN.)	LIST PRICE
---------------	---------	--------------	------------------	------------

Lever Handle Kits

ORDERING CODE	KIT NO.	VALVE SERIES	VALVE SIZE (IN.)	LIST PRICE
0123644	2 LFBSK-B-RK	LFB6400, LFB6800	1/4", 3/8", 1/2"	\$49.75
0123650	3 LFBSK B-RK	LFB6400, LFB6800	1/4", 3/8", 1/2"	52.25
0125101	5 LFBSK-B-RK	LFB6400	1"	88.25
0123651	6 LFBSK-B-RK	LFB6800	3/4"	105.50
0123646	7 LFBSK-B-RK	LFB6400, LFB6800	1 1/4", 1 1/2"	142.50
0123647	8 LFBSK-B-RK	LFB6400, LFB6800	1 1/4", 1 1/2"	202.00
0123656	9 LFBSK-B-RK	LFB6400, LFB6800	2", 1 1/2"	282.50
0125098	10 LFBSK-B-RK-M2	LFB6400, LFB6800	2", 1 1/2"	204.50
0123661	11 LFBSK-SS-RK	LFB6800	2"	787.50
0123653	11 LFBSK-B-RK	LFB6400, LFB6800	2", 2 1/2"	503.50
0123643	12 LFBSK-B-RK	LFB6400	3"	646.50
0123662	26 LFBSK-B-RK	LFB6780	3/8", 1/2"	42.75
0123663	27 LFBSK-B-R	LFB6780	3/4"	61.25
0123664	28 LFBSK-B-RK	LFB6780	1"	98.50
0123668	29 LFBSK-B-RK	LFB6780	1 1/4"	142.50
0123665	30 LFBSK-B-RK	LFB6780	1 1/2"	202.00
0123666	31 LFBSK-B-RK	LFB6780	2"	681.50
0125159	35 LFBSK-B-RK	LFB6400	4"	788.00

LEAD FREE

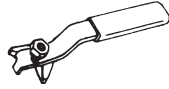
2

Ball Valves

*The wetted surface of this product contacted by consumable water contains less than 0.25% of lead by weight.

Lead Free* Copper Silicon Alloy LFB6800, LFB6400, LFB6780 Ball Valves

Standard Lever Handle Kits

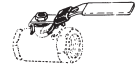


HK Series

When ordering specify Ordering Code, Kit No., and Valve Size.

ORDERING CODE	KIT NO.	VALVE SERIES	VALVE SIZE (IN.)	LIST PRICE
0885452	1 HK	LFB6400	1/4", 3/8", 1/2"	\$18.50
		LFB6780-M1	1/4", 3/8", 1/2"	
		LFB6800	1/4", 3/8", 1/2"	
		LFB6780-M1	3/4"	
0885453	2 HK	LFB6400	3/4"	23.25
		LFB6800	3/4"	
		LFB6080	1"	
0885455	4 HK	LFB6800	1", 1 1/4"	28.75
		LFB6400	1 1/4", 1 1/2"	
		LFB6780-M1	1 1/4", 1 1/2"	
0885457	5 HK	LFB6800	1 1/2", 2"	28.75
		LFB6400	2 1/2", 3"	

Latch - Lock Lever Handle Kits



LL Series

When ordering specify Ordering Code, Kit No., and Valve Size.

ORDERING CODE	KIT NO.	VALVE SERIES	VALVE SIZE (IN.)	LIST PRICE
0885585	2 LL-HK	LFB6400-LL	1/4", 3/8", 1/2"	48.00
		LFB6800-LL	1/4", 3/8", 1/2"	
0885536	4 LL-HK	LFB6400-LL	3/4"	50.50
		LFB6800-LL	3/4"	
0885589	6 LL-HK	LFB6400-LL	1"	50.50
0885571	7 LL-HK	LFB6800-LL	1", 1 1/4"	86.50
		LFB6400-LL	1 1/4", 1 1/2"	
0885574	9 LL-HK	LFB6800-LL	1 1/2", 2"	83.00
		LFB6400-LL	2"	
0885565	10 LL-HK	LFB6800-LL	2"	83.00
		LFB6400-LL	3"	

2 Ball Valves

Lead Free* Bronze LFB6800, LFB400, LFB6080, LFB6780 Ball Valves

Extended Lever Handle Kits



XHK Series

When ordering specify Ordering Code, Kit No., and Valve Size.

ORDERING CODE	KIT NO.	VALVE SERIES	VALVE SIZE (IN.)	LIST PRICE
0407760	7 XHK-LH-HK	LFB6400	1/4", 3/8", 1/2"	\$87.25
		LFB6800	1/4", 3/8", 1/2"	
		LFB6780-M1	1/4", 3/8", 1/2", 3/4"	
0407761	8 XHK-LH-HK	LFB6400	3/4"	87.25
		LFB6800	3/4"	
0407762	9 XHK-LH-HK	LFB6400	1"	87.25
		LFB6780-M1	1"	
0407763	10 XHK-LH-HK	LFB6400	1 1/4", 1 1/2"	87.25
		LFB6780-M1	1 1/2"	
		LFB6800	1", 1 1/4"	
0407764	11 XHK-LH-HK	LFB6400	1 1/4", 1 1/2"	87.25
		LFB6800	1", 1 1/4"	
0407765	12 XHK-LH-HK	LFB6800-SS	1 1/2", 2"	87.25
		LFB6400-SS	2", 2 1/2", 3"	
		LFB6080-SS	2 1/2", 3"	
0407766	13XHK-LH-HK	B-6800	1 1/2", 2"	87.25
		B-6400	2", 2 1/2", 3"	
		B-6080	2"	

Lead Free* Copper Silicon Alloy LFB6800, LFB6400, LFB6780 Ball Valves

“T” Handle Kits



TH Series

When ordering specify Ordering Code, Kit No., and Valve Size.

LEAD FREE*	ORDERING CODE	KIT NO.	VALVE SERIES	VALVE SIZE (IN.)	LIST PRICE
	0887392	5 TH-HK	LFB6800	1 1/2", 2"	78.25
			LFB6400	2 1/2", 3"	
			LFB6780-M1	2 1/2", 3"	

** Not recommended due to high operating torques.

Stainless Steel Lever Handle Kits



SH Series

When ordering specify Ordering Code, Kit No., and Valve Size.

LEAD FREE*	ORDERING CODE	KIT NO.	VALVE SERIES	VALVE SIZE (IN.)	LIST PRICE
	0887382	1 SH-HK	LFB6400	1/4", 3/8", 1/2"	23.00
			LFB6780-M1	1/4", 3/8", 1/2"	
			LFB6800	1/4", 3/8", 1/2"	
	0887383	2 SH-HK	LFB6400	3/4"	23.00
			LFB6780-M1	3/4"	
			LFB6800	3/4"	
	0887395	4 SH-HK	LFB6800	1", 1 1/4"	42.75
			LFB6400	1 1/4", 1 1/2"	
			LFB6780-M1	1 1/4", 1 1/2"	
	0887386	5 SH-HK	LFB6800	1 1/2", 2"	48.50
			LFB6400	2 1/2", 3"	
			LFB6780-M1	2 1/2", 3"	

2

Ball Valves

*The wetted surface of this product contacted by consumable water contains less than 0.25% of lead by weight.

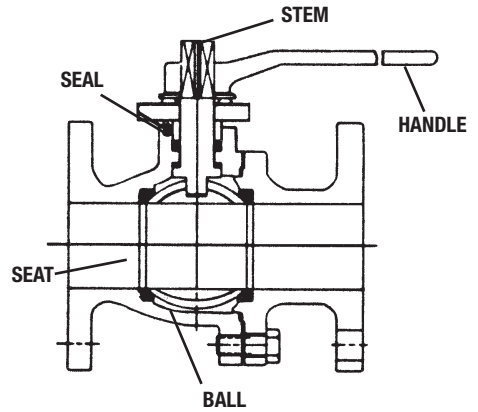
G4000-M1

Seat and Seal Kits

SSK Series

When ordering specify Ordering Code, Kit No., and Valve Size.

ORDERING CODE	KIT NO.	VALVE SERIES	VALVE SIZE (IN.)	LIST PRICE
0830002	SSK-G4000-M1	G4000-M1	3"	441.00



2

Ball Valves

Ball and Stem Kits

BSK Series

ORDERING CODE	KIT NO.	VALVE SERIES	VALVE SIZE (IN.)	LIST PRICE
0830005	BSK-G4000-M1	G4000-M1	2"	346.50
0830006	BSK-G4000-M1	G4000-M1	2 1/2"	514.50

Handle Kits

HK Series

ORDERING CODE	KIT NO.	VALVE SERIES	VALVE SIZE (IN.)	LIST PRICE
0835502	HK-G4000-M1	G4000-M1	3"	88.75
0835503	HK-G4000-M1	G4000-M1	4"	112.50

Series 405

Iron Flanged Gate Valves

Sizes 2 1/2" – 10"

Handle Kits and Packing Gland

When ordering specify Ordering Code, Kit No., and Valve Size.

ORDERING CODE	KIT NO.	VALVE SERIES	SIZE (IN.)	LIST PRICE
0899336	405-PkingGland	405	2 1/2"	29.50
0899337	405-HandleWheel	405	3"	144.00
0899339	405-HandleWheel	405	4"	256.50
0899340	405-PkingGland	405	4"	52.00
0899342	405-PkingGland	405	6"	80.75
0899343	405-HandleWheel	405	8"	509.50
0899344	405-PkingGland	405	8"	102.50
0899346	405-PkingGland	405	10"	144.50

Series LF408

Iron Flanged Gate Valves

Sizes 2 1/2" – 10"

Handle Kits

When ordering specify Ordering Code, Kit No., and Valve Size.

ORDERING CODE	KIT NO.	VALVE SERIES	SIZE (IN.)	LIST PRICE
---------------	---------	--------------	------------	------------

Domestic

LEAD FREE	ORDERING CODE	KIT NO.	VALVE SERIES	SIZE (IN.)	LIST PRICE
	0889612	408-HK	408	2 1/2"	\$459.00
	0889613	408-HK	408	3"	711.00
	0889614	408-HK	408	4"	820.00
	0889615	408-HK	408	6"	1,116.00
	0889616	408-HK	408	8"	1,334.00
	0889617	408-HK	408	10"	1,910.00

Import

LEAD FREE	ORDERING CODE	KIT NO.	VALVE SERIES	SIZE (IN.)	LIST PRICE
	0889640	408-RW-HK-F	408-RW	2 1/2"	\$459.00
	0889641	408-RW-HK-F	408-RW	3"	711.00
	0889642	408-RW-HK-F	408-RW	4"	820.00
	0889644	408-RW-HK-F	408-RW	8"	1,334.00

Series LF600, LF601

Bronze Silent Check Valves

Sizes 1/4" – 2"

Repair Kits

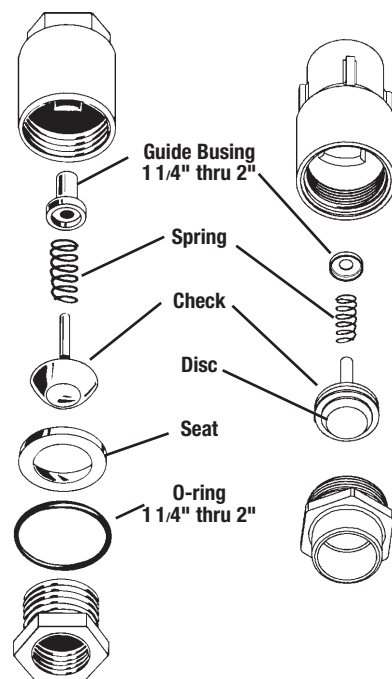
When ordering specify Ordering Code, Kit No., and Valve Size.

ORDERING CODE	KIT NO.	VALVE SERIES	SIZE (IN.)	LIST PRICE
0125143	600RK	600	1/4"- 3/8"-1/2"	\$ 71.25
0125144	600RK	600	3/4"	78.75
0125141	600RK	600	1"	100.50
0125145	600RK	600	1 1/4"	205.00
0125142	600RK	600	1 1/2"	252.00
0125146	600RK	600	2"	330.50

Kit for LF600, LF601 consists of parts shown at right

Model LF600

Model LF601



*The wetted surface of this product contacted by consumable water contains less than 0.25% of lead by weight.

Strainer Screens and Gaskets

Standard Strainer Screen Replacements

SERIES	SIZE (IN.)	SCREEN ORDERING CODE	PART NO.	STANDARD SCREEN SIZE	LIST PRICE
--------	------------	----------------------	----------	----------------------	------------

Series LF17 (3/4" - 1") and Series LF27 (1/8" - 1/2")

LEAD FREE	17	3/4"-1"	1077010	SA-17BA77-40	40 Mesh	\$35.50
	27	1/8"	1077024	P18Y77-40	40 Mesh	6.00
	27	3/8"	1077022	4500A77-24	24 Mesh	15.50
	27	1/2"	1077002	135A77-24	24 Mesh	16.00

Series LF777 / S777 / LF777S / LFS777S (1/4" - 4")

LEAD FREE	777	1/4"-3/8"	1077496	777x77-20	20 Mesh	\$12.25
	777	1/2"	1077602	777AB77-20	20 Mesh	10.75
	777	3/4"	1077603	777BA77-20	20 Mesh	18.00
	777	1"	1077653	777CA77-20	20 Mesh	18.00
	777	1 1/4"	1077654	777DA77-20	20 Mesh	18.00
	777	1 1/2"	1077655	777EA77-20	20 Mesh	18.00
	777	2"	1077485	777FB77-20	20 Mesh	20.50
	777	2 1/2"	1077064	77F77-20	20 Mesh	19.75
	777	3"	1077067	77G77-04	3/64" perf.	82.00
	777	4"	1077426	F78JA77-12	1/8" perf.	544.00

Series LF77S-M1 (1/4" - 3")

LEAD FREE	77S-M1	1/4", 3/8", 1/2"	1077602	777AB77-20	20 Mesh	\$10.75
	77S-M1	3/4"	1077603	777BA77-20	20 Mesh	18.00
	77S-M1	1"	1077653	777CA77-20	20 Mesh	18.00
	77S-M1	1 1/4"	1077654	777DA77-20	20 Mesh	18.00
	77S-M1	1 1/2"	1077655	777EA77-20	20 Mesh	18.00
	77S-M1	2"	1077485	777FB77-20	20 Mesh	20.50
	77S-M1	2 1/2"	1077064	77F77-20	20 Mesh	19.75
	77S-M1	3"	1077067	77G77-04	3/64" perf.	82.00

Series LF777SI / LFS777SI (3/8" - 3") 20 Mesh Screen Only

LEAD FREE	777SI	3/8"	0899118	RK 777SI-Screen	20 Mesh	\$23.25
	777SI	1/2"	0899119	RK 777SI-Screen	20 Mesh	19.50
	777SI	3/4"	0899120	RK 777SI-Screen	20 Mesh	31.25
	777SI	1"	0899121	RK 777SI-Screen	20 Mesh	35.50
	777SI	1 1/4"	0899122	RK 777SI-Screen	20 Mesh	50.00
	777SI	1 1/2"	0899123	RK 777SI-Screen	20 Mesh	56.75
	777SI	2"	0125083	RK 777SI-Screen	20 Mesh	135.00
	777SI	2 1/2"	0899125	RK 777SI-Screen	20 Mesh	191.50
	777SI	3"	0899126	RK 777SI-Screen	20 Mesh	251.50

Series 77F-D / 77F-DI-125 (2" - 12")

LEAD FREE	77F-D	2	1077596	D77FA77-06	1/16" perf.	\$62.50
	77F-D	2 1/2"	1077379	D77GA77-06	1/16" perf.	37.00
	77F-D	3	1077215	D77HA77-06	1/16" perf.	91.50
	77F-D	4	1077469	D77JA77-06	1/16" perf.	233.50
	77F-D	5	1077526	D77KK77-06	1/16" perf.	217.50
	77F-D	6	1077470	D77KA77-12	1/8" perf.	249.50
	77F-D	8	1077471	D77LA77-12	1/8" perf.	392.00
	77F-D	12	1077345	D77NA77-19	3/16" perf.	1,650.00

GASKET ORDERING CODE	PART NO.	LIST PRICE
----------------------	----------	------------

1102060	17BA102	\$7.75
1101010	11/16" x 7/8" x 1/32" NLY	1.25
1103032	N56A103	1.25
1101064	9DA101	4.25
1101064	9DA101	4.25

1101347	777xa101	\$0.55
1101557	777AA101	6.00
1101825	777BA101	6.00

1101820	777EA101	7.50
---------	----------	------

1101098	77F101	19.00
1101288	777HA101	7.75
1101534	777JA101	28.00

1101092	77A101	\$6.00
1101326	77BA101	6.25
1101327	77CA101	7.25
1101327	77CA101	7.25
1101328	77EA101	9.50
1101097	77E101	13.25
1101098	77F101	19.00
1101091	77G101	26.25

0899109	RK 777SI-Gasket	\$19.50
0899110	RK 777SI-Gasket	12.50
0899111	RK 777SI-Gasket	13.25
0899112	RK 777SI-Gasket	17.00
0899113	RK 777SI-Gasket	18.00
0899114	RK 777SI-Gasket	28.75
0899115	RK 777SI-Gasket	41.25
0899116	RK 777SI-Gasket	59.25

1102376	F77FA102	\$8.25
1102044	F77GA102	15.50
1102099	F77HA102	39.00
1102100	F77JA102	29.50
1102218	F77KD102	39.50
1102101	F77KA102	97.00
1102103	F77LA102	96.25
1102111	F77MA102	85.00
1102219	F77NA102	434.50

Series 2000

Flow Checks

Sizes 3/4" – 3"

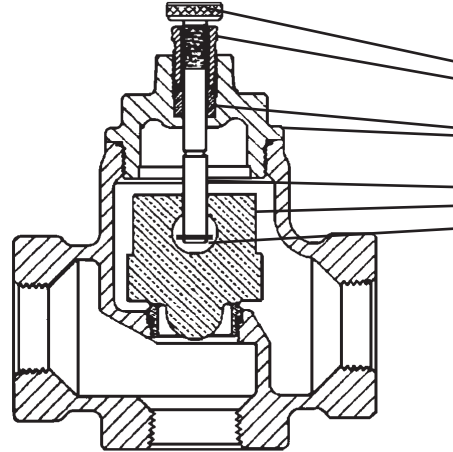
Repair Kits

When ordering specify Ordering Code, Kit No., and Valve Size.

ORDERING CODE	KIT NO.	VALVE SERIES	SIZE (IN.)	LIST PRICE
0856765	2000 M5-RK	All Models**	3/4"	\$174.00
0856765	2000 M5-RK	All Models	1"	174.00
0885431	2000 M5-RK	All Models	1 1/2"-2"	467.00
0885433	2000 M5-RK	All Models	2 1/2"-3"	661.00
0856767	2000S M5-RK	All Models	3/4"	134.00
0856768	2000S M5-RK	All Models	1"	143.50

Kit for 2000 Series consists of Bonnet Assembly, Disc and Gasket/O-rings.

**For 2000-M3 3/4" use Ordering Code No. 0856767



Kit includes:
Bonnet Disc
Assembly and
Gasket O-Ring.

Series 142, 144

Process Boiler Water Feeders

Size 1/2"

Repair Kits

When ordering specify Ordering Code, Kit No., and Valve Size.

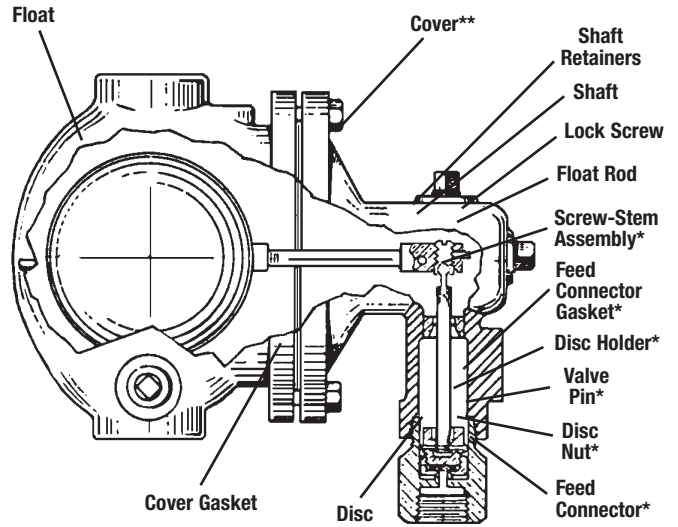
ORDERING CODE	PART NO.	DESCRIPTION	LIST PRICE
0889224	142FA-RK	Feed Assembly	\$229.50
0268911	144FA-RK	Feed Assembly	229.50

Replacement Parts

ORDERING CODE	PART NO.	DESCRIPTION	LIST PRICE
0889223	142 Float RK	Float	\$197.50
1002089	142A2**	Cover**	646.50
1011008	142A11	Shaft Retainers	9.75
1012002	142A12	Shaft	10.50
1009007	142A9	Float Rod	49.25
1049028	SA142A49*	Screw-Stem Assembly*	75.50
1101049	3 3/4" x 4 1/2" x 1/32"	Cover Gasket	12.25
1038007	142A38	Disc Holder	74.00
1033020	142A33	Disc Nut	11.00
1037113	142A37	Disc	6.50
1003318	142A3	Feed Connector	87.00
1002092	144A2	Cover	667.00

**Model. 142 and 144 parts are interchangeable except for feed assembly and cover.

*Complete Feed Assembly includes ALL items marked



5

Hydronic Heating Products

Series N50, N89

Low Water Cut-Offs

Size 1"

Repair Kits

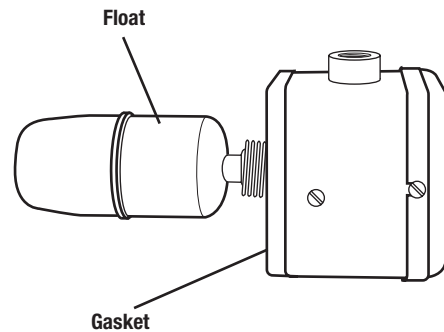
When ordering specify Ordering Code, Kit No., and Valve Size.

ORDERING CODE	PART NO.	DESCRIPTION	SIZE (IN.)	LIST PRICE
0889222	N89 Float Kit	N89	ALL	\$120.50

Gasket Only

1101062	151M101	N50	ALL	13.75
1101047	89A101	N89	ALL	23.75

Kits consist of Float and Gasket



Series FS10-FS20

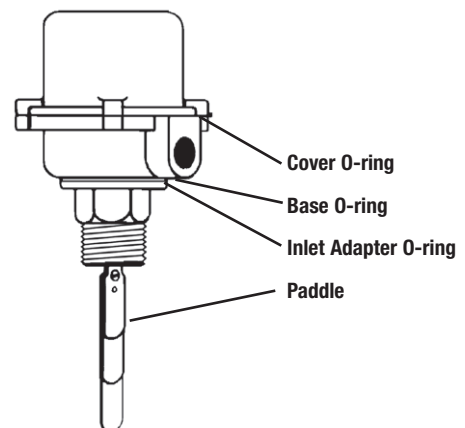
Flow Switches

Size 1"

Replacement Parts

When ordering specify Ordering Code, Kit No., and Valve Size.

ORDERING CODE	KIT NO.	VALVE SERIES	DESCRIPTION	LIST PRICE
0863095	FS10-R RK	FS10	Inlet Adapter O-ring	\$11.75
0863096	FS20-R RK	FS20	Inlet adapter, Base and Cover O-rings	15.00



Series LF1170-M2

Hot Water Temperature Control Valves

Sizes 1/2" – 1"

Repair Kits

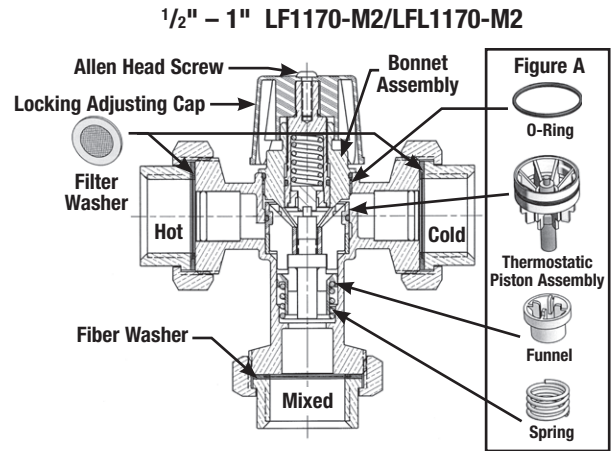
When ordering specify Ordering Code, Kit No., and Valve Size.

ORDERING CODE	PART NO.	SIZE (IN.)	LIST PRICE
0559112	LF1170-M2 RK	1/2"-1"	\$138.50
0559113	LFL1170-M2 RK	1/2"-1"	138.50

Kit for LF1170-M2, LFL1170-M2 includes items at right labeled figure A

LF1170-M2, LFL1170-M2 Replacement Parts

ADJUSTING CAP ORDERING CODE	PART NO.	LIST PRICE	ADJUSTING CAP SCREW ORDERING CODE	PART NO.	LIST PRICE
2054379	1170CA54	\$23.75	1024591	1170CA24	\$5.00



Replacement Parts

When ordering specify Ordering Code, Kit No., and Valve Size.

SIZE (IN.)	SERIES	UNION NUT ORDERING CODE	PART NO.	LIST PRICE	UNION TAILPIECE ORDERING CODE	PART NO.	LIST PRICE	UNION GASKET ORDERING CODE	PART NO.	LIST PRICE
1/2"	LF1170-UT M2	1140152	35AB140	\$6.75				1102033	56CB103-1	\$1.50
1/2"	LF1170-US M2							1102033	56CB103-1	1.50
3/4"	LF1170-UT M2	1140153	35BB140	14.50	2139052	135BB139 LL-ECO	19.25	1103036	35B103-1	4.00
3/4"	LF1170-US M2							1103036	35B103-1	4.00
1"	LF1170-UT M2							1203003	35C103	6.75
1"	LF1170-US M2							1203003	35C103	6.75

LEAD FREE

6

Tempering Valves

*

The wetted surface of this product contacted by consumable water contains less than 0.25% of lead by weight.

Series LFMMV-M1

Thermostatic Mixing Valves

Sizes 1/2" - 1"

Repair Kits

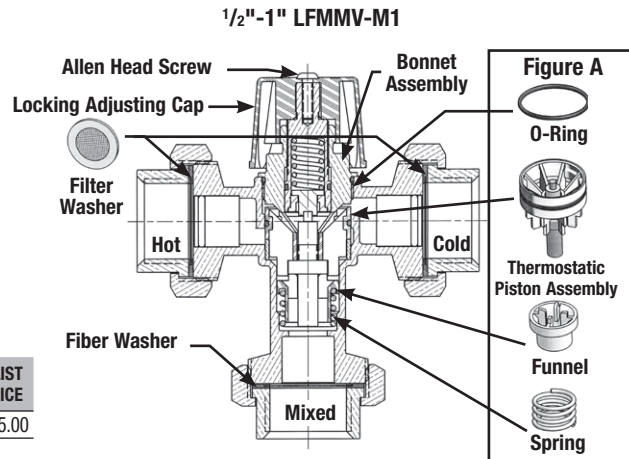
When ordering specify Ordering Code, Kit No., and Valve Size.

SIZE	SERIES	ORDERING CODE	PART NO.	LIST PRICE
1/2"-1"	LFMMV-M1	0559123	LFMMV-M1-RK	\$155.50

LEAD FREE

MMV-M1 Replacement Parts

ADJUSTING CAP ORDERING CODE	PART NO.	LIST PRICE	ADJUSTING CAP SCREW ORDERING CODE	PART NO.	LIST PRICE
2054380	1170CA54-MMV	23.75	1024591	1170CA24	5.00



SIZE (IN.)	SERIES	UNION NUT ORDERING CODE	PART NO.	LIST PRICE	UNION TAILPIECE ORDERING CODE	PART NO.	LIST PRICE	UNION GASKET ORDERING CODE	PART NO.	LIST PRICE
1/2"	LFMMV-UT M1	1140152	35AB140	\$6.75				1102033	56CB103-1	\$1.50
1/2"	LFMMV-US M1							1102033	56CB103-1	1.50
3/4"	LFMMV-UT M1	1140153	35BB140	14.50	2139052	135BB139-LL-ECO	19.25	1103036	35B103-1	4.00
3/4"	LFMMV-US M1							1103036	35B103-1	4.00
1"	LFMMV-UT M1							1203003	35C103	6.75
1"	LFMMV-US M1							1203003	35C103	6.75

LEAD FREE

6

Tempering Valves

Series LF70A

Hot Water Extender Tempering Valves

Sizes 1/2" – 3/4"

Repair Kits

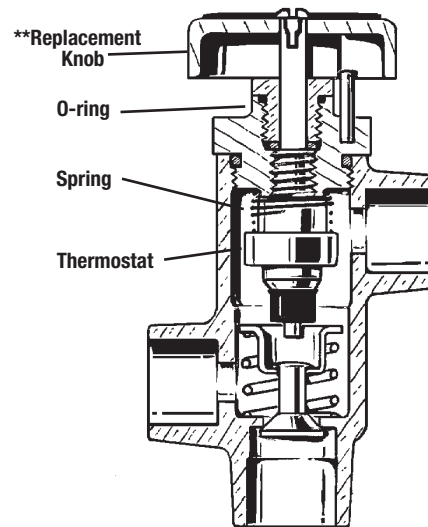
When ordering specify Ordering Code, Kit No., and Valve Size.

	ORDERING CODE	KIT NO.	VALVE SERIES	SIZE	LIST PRICE
LEAD FREE	0125129	LF70A-RK	LF70A, LF70AF	1/2"- 3/4"	\$133.00
	0125130	LFL70A-RK	LFL70A, LFL70AF	1/2"- 3/4"	128.50

Kit No. LF70A, LFL70A, includes parts shown at right

**REPLACEMENT KNOB, not included in kit.

Part No. 70A54P-CAP-1053017. List price \$1.10



⚠ WARNING

WATTS HOT WATER EXTENDER TEMPERING VALVES CANNOT BE USED FOR TEMPERING WATER TEMPERATURE AT FIXTURES. SEVERE BODILY INJURY, i.e., SCALDING OR CHILLING, AND/OR DEATH MAY RESULT DEPENDING UPON SYSTEM WATER PRESSURE CHANGES AND/OR SUPPLY WATER TEMPERATURE CHANGES. DEVICES TESTED TO ASSE STANDARD 1016 SHOULD BE USED AT FIXTURES TO PREVENT POSSIBLE INJURY.

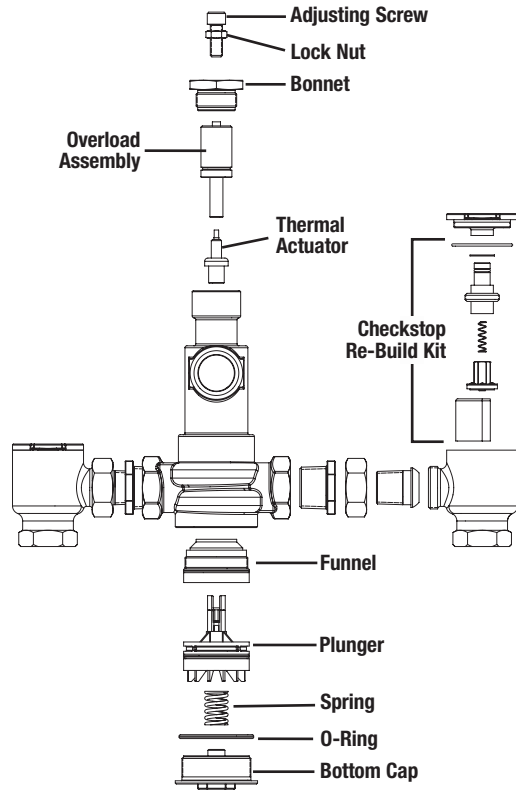
The WATTS hot water tempering valves are designed to be installed at or near the boiler or hot water heater. They are not designed to compensate for system pressure and/or temperature fluctuations and should not be used where ASSE standard 1016 devices are required. These WATTS valves should never be used to provide "anti-scald" or "anti-chill" service.

Series LFN170-M3, LFN170-M3 CSUT

Master Mixing Valves

When ordering specify Ordering Code, Kit No., and Size.

	SIZE (IN.)	KIT NO.	ORDERING CODE	PARTS INCLUDED	LIST PRICE
LEAD FREE*	3/4 - 1	3/4-1 LFN170-RK-M3	0887490	Adjusting Screw, Bonnet, Thermal Actuator, Locknut, Plunger, Spring, O-Ring	\$220.00
	1-1/4 - 2	1-1/4-2 LFN170-RK-M3	0125153	Adjusting Screw, Bonnet, Thermal Actuator, Locknut, Plunger, Spring, O-Ring	314.00
	3/4 - 1	3/4-1 LFN170-FN-RK-M3	0125151	Funnel	502.00
	1-1/4 - 2	1-1/4-2 LFN170-FN-RK-M3	0125154	Funnel	563.50
	3/4 - 1	3/4-1 LFN170-ST-RK-M3	0125152	Stop Replacement Kit	255.50
	1-1/4 - 2	1-1/4-2 LFN170-ST-RK-M3	0887491	Stop Replacement Kit	327.50



Series 1070 & G1070

LavSafe™ Thermostatic Faucet

Size 3/8"

Repair Kits

ORDERING CODE	KIT NO.			LIST PRICE
0899321	Handle 4"			\$81.75
0899323	Cartidge			436.00
0899324	Base Plate for P1070			172.00
0899326	Faucet Hardware			50.00
0899327	Supply Tubes			229.50

Series 2

Washing Machine Water Shut off Valves

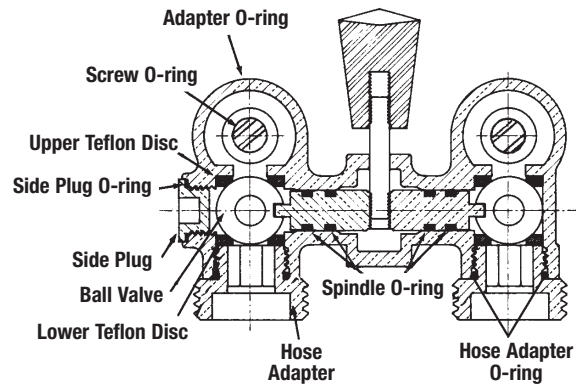
Size 1/2"

Repair Kits

When ordering specify Ordering Code, Kit No., and Valve Size.

ORDERING CODE	KIT NO.	MODELS	SIZE (IN.)	LIST PRICE
0862000	2-M2-RK	2-M1-2T-M1 2-M2-2T-M2	1/2"	\$42.25

Kit for Series 2 consists of: 1-Side Plug O-ring 4-Teflon Discs 2-Spindle O-rings
2-Adapter O-rings 2-Adapter Screw O-rings
Model identification shown on body casting.



Series A200

Trap Primers

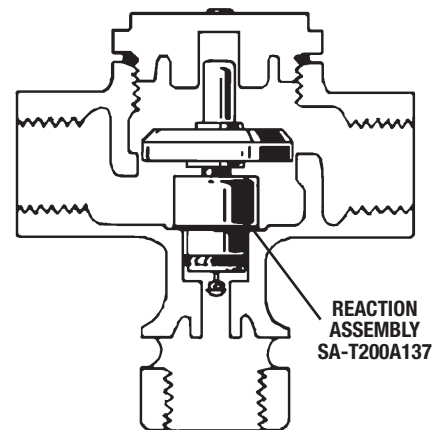
Size 1/2"

Repair Kits

When ordering specify Ordering Code, Kit No., and Valve Size.

ORDERING CODE	KIT NO.	VALVE SERIES	SIZE (IN.)	LIST PRICE
0877070	A200RK	A200	1/2"	\$51.00

Reaction Assembly consists of Disc, Trap Disc, Trap Seat and Closing Disc.



Series FH-M1, FHV, FHB

Frost-Proof Wall Hydrants

Sizes 1/2" x 1/2", 3/4" x 1/2" and 3/4" x 3/4"

Repair Kits

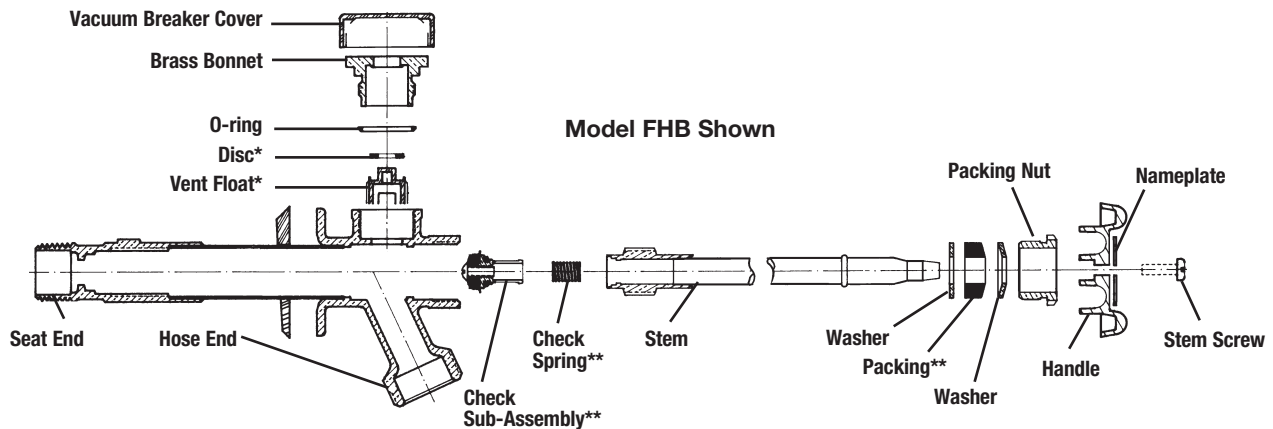
When ordering specify Ordering Code, Kit No., and Valve Size.

ORDERING CODE	KIT NO.	VALVE SERIES	SIZE (IN.)	LIST PRICE
0723061	FHB-RK	FHB	ALL	\$36.25
0723064	FHB-V-RK	FHB	ALL	33.50
0723126	FH-M1-RK	FH-M1	ALL	21.75

Kit FHB-RK consists of all parts shown below**

Kit FHB-V-RK consists of all parts shown below*

Kit FH-M1-RK consists of O-ring, Gland and Stem Packing, disc and disc screw



*Supplied with RK-FHB-V (1/2", 3/4")

**Supplied with RK-FHB (1/2", 3/4")

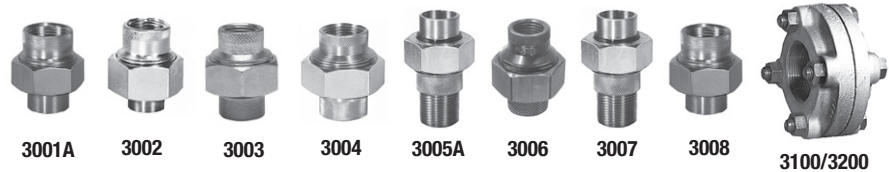
Series 3000

Dielectric Unions

Sizes 1/2" – 4"

Gasket and Insulator Kits

When ordering specify Ordering Code, Kit No., and Valve Size.



ORDERING CODE	KIT NO.	VALVE SERIES	SIZE (IN.)	LIST PRICE
---------------	---------	--------------	------------	------------

Model GA Gasket Kits (2 GA Gaskets per Kit)

0881400	GA-A	3001	1/2"	\$7.75
0881400	GA-A	3002	1/2"	7.75
0881400	GA-A	3005	1/2"	7.75
0881400	GA-A	3007	1/2"	7.75
0881401	GA-B	3001	3/4"	7.75
0881401	GA-B	3005	3/4"	7.75
0881401	GA-B	3003	1/2"	7.75
0881401	GA-B	3004	1/2"	7.75
0881401	GA-B	3006	1/2"	7.75
0881401	GA-B	3007	3/4"	7.75
0881401	GA-B	3008	1/2"	7.75
0881402	GA-C	3001	1"	9.25
0881402	GA-C	3002	1"	9.25
0881403	GA-D	3001	1 1/4"	10.75
0881404	GA-E	3001	1 1/2"	11.00
0881405	GA-F	3001	2"	14.25
0881406	GA-G	3002	3/4"	7.75
0881407	GA-H	3003	3/4"	9.25
0881407	GA-H	3004	3/4"	9.25
0881407	GA-H	3006	3/4"	9.25
0881401	GA-B	3008	3/4"	7.75
0881408	GA-J	3003	1"	9.25
0881408	GA-J	3004	1"	9.25
0881408	GA-J	3006	1"	9.25
0881408	GA-J	3008	1"	9.25
0881409	GA-K	3003	1 1/4"	11.75
0881409	GA-K	3004	1 1/4"	11.75
0881409	GA-K	3006	1 1/4"	11.75
0881410	GA-L	3003	1 1/2"	15.75
0881410	GA-L	3004	1 1/2"	15.75
0881410	GA-L	3006	1 1/2"	15.75
0881411	GA-M	3003	2"	20.25
0881411	GA-M	3004	2"	20.25
0881411	GA-M	3006	2"	20.25
0889130	GA-N	3100	2"	40.50
0889130	GA-N	3200	2"	40.50
0881414	GA-P	3100	2 1/2"	42.75
0881414	GA-P	3200	2 1/2"	42.75
0881415	GA-Q	3100	3"	49.25
0881415	GA-Q	3200	3"	49.25
0881416	GA-R	3100	4"	42.75
0881416	GA-R	3200	4"	42.75

GA Gasket - Standard

For use with water, air, oil, natural gas, propane, gasoline, kerosene, mineral oil, vegetable oil, alkalines.

ORDERING CODE	KIT NO.	VALVE SERIES	SIZE (IN.)	LIST PRICE
---------------	---------	--------------	------------	------------

Model GB Gasket Kits (2 GB Gaskets per Kit)

0881425	GB-A	3001	1/2"	\$14.75
0881425	GB-A	3002	1/2"	14.75
0881425	GB-A	3005	1/2"	14.75
0881425	GB-A	3007	1/2"	14.75
0881426	GB-B	3001	3/4"	16.50
0881426	GB-B	3005	3/4"	16.50
0881426	GB-B	3003	1/2"	16.50
0881426	GB-B	3004	1/2"	16.50
0881426	GB-B	3006	1/2"	16.50
0881426	GB-B	3007	3/4"	16.50
0881426	GB-B	3008	1/2"	16.50
0881427	GB-C	3001	1"	20.25
0881427	GB-C	3002	1"	20.25
0881428	GB-D	3001	1 1/4"	26.25
0881429	GB-E	3001	1 1/2"	31.50
0881430	GB-F	3001	2"	48.75
0881431	GB-G	3002	3/4"	16.50
0881432	GB-H	3003	3/4"	16.50
0881432	GB-H	3004	3/4"	16.50
0881432	GB-H	3006	3/4"	16.50
0881432	GB-H	3008	3/4"	16.50
0881433	GB-J	3003	1"	20.25
0881433	GB-J	3004	1"	20.25
0881433	GB-J	3006	1"	20.25
0881433	GB-J	3008	1"	20.25
0881434	GB-K	3003	1 1/4"	26.25
0881434	GB-K	3004	1 1/4"	26.25
0881434	GB-K	3006	1 1/4"	26.25
0881435	GB-L	3003	1 1/2"	31.50
0881435	GB-L	3004	1 1/2"	31.50
0881435	GB-L	3006	1 1/2"	31.50
0881436	GB-M	3003	2"	48.75
0881436	GB-M	3004	2"	48.75
0881436	GB-M	3006	2"	48.75
0881437	GB-N	3100	2"	46.50
0881437	GB-N	3200	2"	46.50
0881439	GB-P	3100	2 1/2"	54.50
0881439	GB-P	3200	2 1/2"	54.50
0881442	GB-Q	3100	3"	57.00
0881442	GB-Q	3200	3"	57.00
0881441	GB-R	3100	4"	89.25
0881441	GB-R	3200	4"	89.25

GB Gasket - Optional

For use with steam to 300°F.

ORDERING CODE	KIT NO.	VALVE SERIES	SIZE (IN.)	LIST PRICE
---------------	---------	--------------	------------	------------

Insulator Kits (2 Insulators per Kit)

0881450	INK-A	3001	1/2"	\$7.75
0881450	INK-A	3002	1/2"	7.75
0881450	INK-A	3002	3/4"	7.75
0881450	INK-A	3005	1/2"	7.75
0881450	INK-A	3007	1/2"	7.75
0881451	INK-B	3001	3/4"	7.75
0881451	INK-B	3005	3/4"	7.75
0881451	INK-B	3003	1/2"	7.75
0881451	INK-B	3004	1/2"	7.75
0881451	INK-B	3006	1/2"	7.75
0881451	INK-B	3007	3/4"	7.75
0881451	INK-B	3008	1/2"	7.75
0881452	INK-C	3001	1"	9.25
0881452	INK-C	3002	1"	9.25
0881452	INK-C	3003	3/4"	9.25
0881452	INK-C	3004	3/4"	9.25
0881452	INK-C	3006	3/4"	9.25
0881452	INK-C	3008	3/4"	9.25
0881453	INK-D	3003	1"	9.25
0881453	INK-D	3004	1"	9.25
0881453	INK-D	3006	1"	9.25
0881453	INK-D	3001	1 1/4"	9.25
0881453	INK-D	3008	1"	9.25
0881454	INK-E	3001	1 1/2"	10.50
0881455	INK-F	3003	1 1/2"	11.75
0881455	INK-F	3004	1 1/2"	11.75
0881455	INK-F	3006	1 1/2"	11.75
0881455	INK-F	3001	2"	11.75
0881456	INK-G	3003	1 1/4"	10.50
0881456	INK-G	3004	1 1/4"	10.50
0881456	INK-G	3006	1 1/4"	10.50
0881457	INK-H	3003	2"	11.75
0881457	INK-H	3004	2"	11.75
0881457	INK-H	3006	2"	11.75

Flanged Dielectric (8 Insulators per Kit)

0889170	INK-J	3100	2"	\$50.50
0889170	INK-J	3100	2 1/2"	50.50
0889170	INK-J	3100	3"	50.50
0889170	INK-J	3100	4"	50.50
0889170	INK-J	3200	2"	50.50
0889170	INK-J	3200	2 1/2"	50.50
0889170	INK-J	3200	3"	50.50
0889170	INK-J	3200	4"	50.50

8

Dielectric Unions

Series G, GH, MGH, MG, HG and T Thermostatic Trap Parts

PART DESCRIPTION	WHERE USED	LETTER OR NO. STAMPED ON SEAT	ORDERING CODE	REFERENCE NUMBER	DRAWING NUMBER	UPC	QTY. PER MASTER CARTON	MASTER CARTON WGT./LBS.	LIST PRICE EACH
Diaphragm Cover	1G, 3GH		0036848	858118	6P-119	098268399028	6	2.3	\$164.50
	2G, 3G		0036849	858126	6P-177	098268399035	3	2.0	485.00
	4G, 4MG, 5G, 5MG		0036850	858134	6P-203	098268399042	6	0.6	522.50
	1MG, 3MGH		0036851	858142	6P-227	098268399059	6	2.4	179.50
Cover Gasket	1G Series All models		2802021	—	—	098268521832	6	0.5	18.00
	3G Series All models		2802021	—	—	098268521832	6	0.5	18.00
	5G Series All models		2802024	—	—	—	1	0.2	33.00
Diaphragm	1G, 3GH		0036853	858167	6SA-125	098268399073	12	1.2	230.50
	2G, 3G		0036854	858175	6SA-180	098268399080	24	5.2	352.50
	1MG, OHG, 3MGH		0036856	858191	6SA-228	098268399103	12	1.2	309.50
	2MG, 3MG, 2HG, (H-3), 5MGH		0036857	858209	6SA-245	098268399110	24	4.8	339.00
	No. 1T and 2T		0036858	858217	6SA-304	098268399127	24	4.8	275.00
Diaphragm Seat	1G, 1MG, 3GH, 3MGH		0036859	858225	6P-124	098268399134	12	1.3	48.00
	2G, 2MG		0036860	858233	6P-10002	098268399141	6	0.6	90.25
	3G, 3MG, 5MGH		0036861	858241	6P-179	098268399158	6	0.9	90.25

Tailpieces and Union Nuts

Tail Piece Male Thread	1G, 1MG Series 65A 1/2" Series 4000/6000 1/2"		0036863	858274	6P-120	098268399172	6	1.2	\$79.75
	2G, 2MG, 1T, 2T		0036864	858282	6P-308	098268399189	6	1.8	215.00
	3G, 3MG, 3GH, 3MGH, 1VG, 1VMG Series 65 1/2" & 3/4" Series 4000/6000 3/4"		0036865	858308	6P-741	098268399196	6	0.6	120.00
	5G, 5MG, 5MGH Series 65 1" Series 4000/6000 1"		0036866	858316	6P-204	098268399202	6	1.8	354.50
Union Nuts	2G, 2MG, 1T, 2T		0036868	858357	6P-309	098268399226	6	3.1	231.00
	3G, 3MG, 3GH, 3MGH, 3T, 3GT, 1VGDU (Outlet Only) Series 65 1/2" & 3/4" Series 4000/6000 3/4"		0036869	858365	6P-123	098268399233	6	1.2	94.25
	5G, 5MG, 5MGH Series 65 1" Series 4000/6000 1"		0036870	858373	6P-205	098268399240	6	2.4	162.50

Series G, GF, MG & MGF Float & Thermostatic Trap Parts

PART DESCRIPTION	WHERE USED	LETTER OR NO. STAMPED ON SEAT	ORDERING CODE	REFERENCE NUMBER	DRAWING NUMBER	UPC	QTY. PER MASTER CARTON	MASTER CARTON WGT./LBS.	LIST PRICE EACH
Diaphragm Cover "G"	All Sizes Series G		0036848	858118	6P-119	098268399028	6	2.3	\$164.50
Diaphragm Cover "MG"	All Sizes Series MG		0036851	858142	6P-227	098268399059	6	2.4	179.50
Diaphragm Cover "GF"	All Sizes Series GF & MGF		0036881	859017	6P-602	098268400526	6	4.2	554.00
Diaphragm Series G	All Sizes Series G		0036853	858167	6AS-125	098268399073	12	1.2	230.50
Diaphragm Series MG	All Sizes Series MG		0036856	858191	6AS-228	098268399103	12	1.2	309.50
Diaphragm Seat	All Sizes Series G & MG		0036859	858225	6P-124	098268399134	12	1.3	48.00
Diaphragm Plug	All Sizes Series GF & MGF		0036882	859025	6P-603	098268400533	12	1.2	174.50
Cover Gaskets	#6-3/4"		0036883	859066	6P-14474	098268400540	12	0.7	35.50
	#7-1"		0036884	859074	6P-438	098268400557	12	0.5	45.00
	#8-1 1/4"		0036884	859074	6P-438	098268400557	12	0.5	45.00
	#91-1 1/2"		0036885	859082	6P-470	098268400564	12	7.2	79.75
	#9-1 1/2"		0036886	859090	6P-490	098268400571	12	0.6	105.00
	#101-2"		0036886	859090	6P-490	098268400571	12	0.6	105.00
	#10-2"		0036887	859108	6P-518	098268400588	12	1.2	126.00
Float Assembly	#6-3/4"		0036888	859355	6SA-409	098268400595	24	7.2	467.50
	#91-1 1/2"		0036890	859371	6SA-466	098268400618	6	1.8	2,117.00

F & T Internal Rebuild Kits*

Series & Maximum Pressure

Series G 15 PSIG	#6G-3/4"		0036909	859629	6A-2641	098268400809	4	3.3	845.50
	#7G-1"		0036910	859637	6A-2645	098268400816	4	5.4	1,271.00
	#8G-1 1/4"		0036911	859645	6A-2651	098268400823	6	8.4	1,307.00
	#91G-1 1/2"		0036912	859652	6A-2657	098268400830	6	21.6	2,919.00
	#101G-2"		0036913	859660	6A-2663	098268400847	1	6.1	3,937.00

*If Rebuild Kits are required for 30 or 50 psig, contact factory for EDP number.

Series 30 High Pressure Trap Parts

PART DESCRIPTION	WHERE USED	LETTER OR NO. STAMPED ON SEAT	ORDERING CODE	REFERENCE NUMBER	DRAWING NUMBER	UPC	QTY. PER MASTER CARTON	MASTER CARTON WGT./LBS.	LIST PRICE EACH
Cover Gasket	All Sizes #30		0036973	859702	6P-823	098268399943	12	3.6	\$68.75
Air Vent	All Sizes #30		0036974	859728	6SA-810	098268399950	6	1.5	405.50
Rebuild Kit*	All Sizes #30		0036975	N/A	N/A	098268399967	4	5.2	1,388.00

*Must order appropriate Valve Seat and Gasket Kit separately.

Series 30 Steam Trap Valve Seat & Gasket Kits

Maximum Pressure Differential

30 PSI	C		0036901	859504	6P-1035	098268400724	6	0.7	165.00
--------	---	--	---------	--------	---------	--------------	---	-----	--------

*Drawing number & reference number are for Seat only.

Valve Seat and Gasket Kit Ordering Codes for Series G, GF, MG and MGF F & T Traps

SERIES & MAXIMUM PRESSURE	TRAP NUMBER	LETTER OR NO. STAMPED ON SEAT	ORDERING CODE	REFERENCE NUMBER*	DRAWING NUMBER*	UPC	QTY. PER MASTER CARTON	MASTER CARTON WGT./LBS.	LIST PRICE EACH
Series G-GF 15 PSIG	#6-3/4"	P	0036893	859405	6P-406	098268400663	6	0.6	\$126.00
	#7-1"	K	0036894	859413	6P-436	098268400649	6	1.2	162.50
	#8-1 1/4"	A	0036895	859421	6P-456	098268400656	6	0.6	162.50
	#91-1 1/2"	91-15	0036896	859439	6P-193	098268400670	6	0.6	228.50
	#101-2"	101-15	0036897	859447	6P-498	098268400687	6	1.2	277.50
	#111-2"	111-15	0036898	859454	6P-596	098268400694	6	1.2	582.50
Series MG-MGF 30 PSIG	#6-3/4"	S	0036899	859488	6P-553	098268400700	6	0.6	122.00
	#8- 1 1/4"	C	0036901	859504	6P-1035	098268400724	6	0.7	165.00
	#111-2"	111-30	0036904	859538	6P-597	098268926064	6	0.2	592.50
Series MG-MGF 50 PSIG	#6-3/4"	S	0036899	859488	6P-553	098268400700	6	0.6	122.00
	#101-2"	101-50	0036907	859587	6P-500	098268400786	6	1.2	277.50

*Reference and drawing number match-up with Valve Seat, not Seat Gasket.

Series 65 Radiator/Supply Valve Parts

PART DESCRIPTION	WHERE USED	LETTER OR NO. STAMPED ON SEAT	ORDERING CODE	REFERENCE NUMBER	DRAWING NUMBER	UPC	QTY. PER MASTER CARTON	MASTER CARTON WGT./LBS.	LIST PRICE EACH
Handle & Retaining Screw	All Sizes		0036801	857110	6P-711**	098268398601	6	1.2	\$59.75
Valve Packing Kit	All Sizes		0036808	857151	6A-643	098268398670	6	1.0	72.25
Disc & Retaining Screw	3/4" Series 65		0036803	857177	6P-722**	098268398625	6	0.6	81.25
Interior Assembly	3/4" Series 65		0036810	857276	6A-3762	098268398694	24	19.2	508.00

**Reference number and drawing number match up handle/disc only, not retaining screw or locknut.

