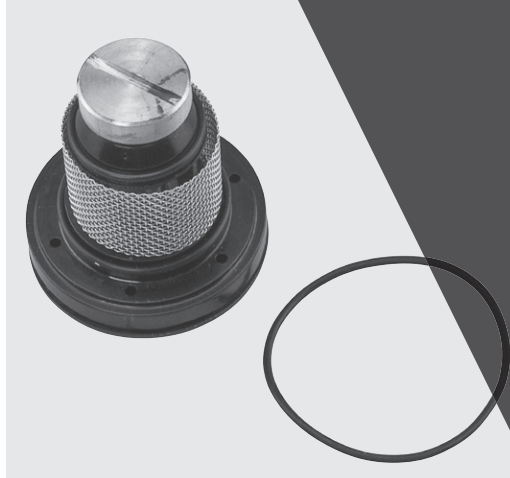
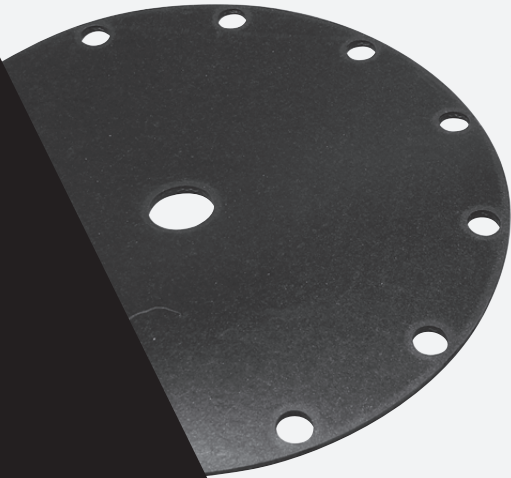
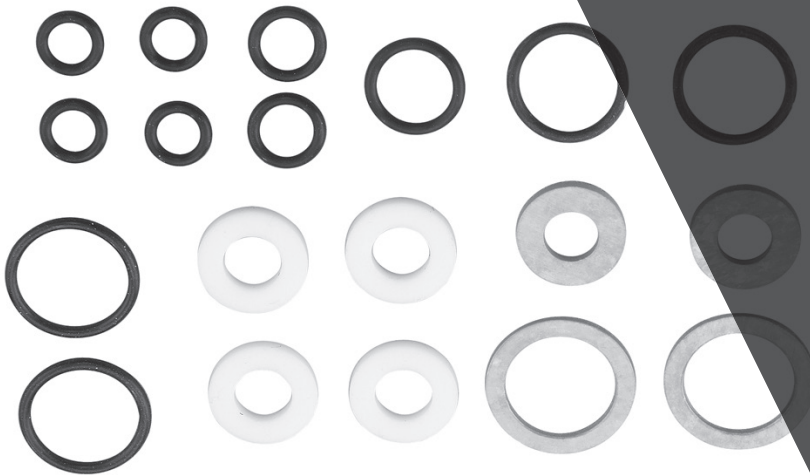
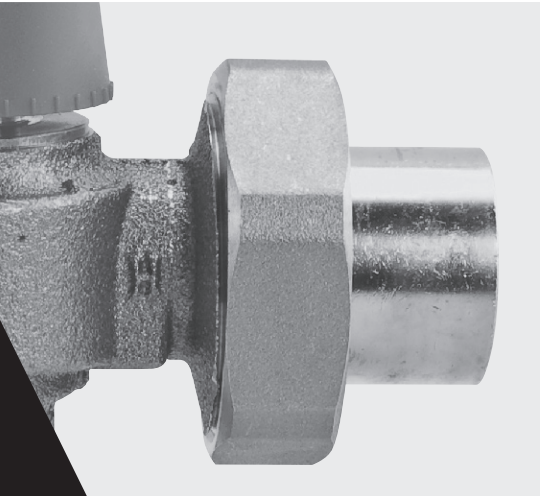


Price List

Repair Kits and Service Parts (For all Watts products except Backflow Preventers)



Effective January 6, 2025

All prices supersede previous issues, are temporary and subject to change without notice.

Your Discount

Electronic is Green!

For the latest Watts pricing information in electronic format, visit our Data Exchange at:

<http://www.wattswater.com/DataExchange>

- Download product and list price data in .csv, .pdf, .tsv, .xls and .xml formats
- Easy access to list price data for business systems
- Sign up for e-mail alerts when data is updated
- Access other Watts Water Technologies brands pricing data

Table of Contents

1 Pressure Regulators

LFU5-Z3	3
LF25AUB, LF25AUB-Z3	3
LFN45B, LFN45B-EZ	4
LF223, LFN223B	4
LFN223F	4
LF23, LF123, LFN250, LFN256	5
LF26A, LF263A, LFSS263AP	5
LF560, LFH560	6
P60	6
Replacement Parts.....	7
Jumper Kits.....	8
127, 127W	9
152A, 152AT, 252A, 252AT	10
152SS	10
152SST	10

2 Ball Valves

Bronze Ball Valve Parts & Kits	11-13
--------------------------------------	-------

3 Gate, Globe, Check Valves

405	14
LF408	14
LF600, LF601	14

4 Strainers

Strainer Screens & Gaskets	15
777SI, S777SI	15

5 Hydronic Heating Products

2000	16
142	16
N89.....	17
FS10, FS20.....	17

6 Tempering Valves

LF1170-M2	18
LFMMV-M1	18
LF70A.....	19
LFN170-M3, LFN170-M3 CSUT	20

7 Plumbing Specialties

2.....	21
A200	21
FH-M1, FHV, FHB.....	22

8 Dielectric Unions

3000	23
------------	----

9 Illinois Steam Product Parts

Series G, GH, MGH, MG, HG and T Thermostatic Trap Parts	24
Series G, GF, MG & MGF Float & Thermostatic Trap Parts	24
Valve Seat and Gasket Kit Ordering Codes for Series G, GF, MG, MGF F & T Traps	24

Terms and Conditions

FREIGHT TERMS: All shipments are F.O.B. shipping point. Shipments from factory less than 1000 lbs. are F.O.B. factory. Factory shipments OF \$5000 and over within the continental U.S.A. will be prepaid and allowed when made at the lowest motor carrier transportation rate.

TERMS OF SALE: All sales are F.O.B. shipping point.

PAYMENT TERMS: The invoices are due and payable 30 days from the date of invoice.

PURCHASE ORDER FORMS: Orders submitted on customer's own purchase order forms will be accepted only with the express understanding that no statements, clauses, or conditions contained in said order form will be binding on the Seller if they in any way modify the Seller's own terms and conditions of sales.

STOCKING WHOLESALE MINIMUM CHARGE: A minimum billing charge of \$200.00 applies to shipments F.O.B. factory. Stocking Wholesaler Customers are encouraged to order sufficient material to avoid this charge which is necessitated by increased costs of processing small orders.

SPECIAL PRODUCTS: Orders for special or modified products are non-cancelable. In the event that the customer cancels an order for such products, Watts shall charge the customer an amount equal to Watts' costs and expenses incurred in performing the purchase order prior to receipt of notice of cancellation.

LIMITED WARRANTY: Watts Regulator Co. (the "Company") warrants each product to be free from defects in material and workmanship under normal usage for a period of one year from the date of original shipment. In the event of such defects within the warranty period, the Company will, at its option, replace or recondition the product without charge.

THE WARRANTY SET FORTH HEREIN IS GIVEN EXPRESSLY AND IS THE ONLY WARRANTY GIVEN BY THE COMPANY WITH RESPECT TO THE PRODUCT. THE COMPANY MAKES NO OTHER WARRANTIES, EXPRESS OR IMPLIED. THE COMPANY HEREBY SPECIFICALLY DISCLAIMS ALL OTHER WARRANTIES, EXPRESS OR IMPLIED, INCLUDING BUT NOT LIMITED TO THE IMPLIED WARRANTIES OF MERCHANTABILITY AND FITNESS FOR A PARTICULAR PURPOSE.

The remedy described in the first paragraph of this warranty shall constitute the sole and exclusive remedy for breach of warranty, and the Company shall not be responsible for any incidental, special or consequential damages, including without limitation, lost profits or the cost of repairing or replacing other property which is damaged if this product does not work properly, other costs resulting from labor charges, delays, vandalism, negligence, fouling caused by foreign material, damage from adverse water conditions, chemical, or any other circumstances over which the Company has no control. This warranty shall be invalidated by any abuse, misuse, misapplication, improper installation or improper maintenance or alteration of the product.

Some States do not allow limitations on how long an implied warranty lasts, and some States do not allow the exclusion or limitation of incidental or consequential damages. Therefore the above limitations may not apply to you. This Limited Warranty gives you specific legal rights, and you may have other rights that vary from State to State. You should consult applicable state laws to determine your rights. **SO FAR AS IS CONSISTENT WITH APPLICABLE STATE LAW, ANY IMPLIED WARRANTIES THAT MAY NOT BE DISCLAIMED, INCLUDING THE IMPLIED WARRANTIES OF MERCHANTABILITY AND FITNESS FOR A PARTICULAR PURPOSE, ARE LIMITED IN DURATION TO ONE YEAR FROM THE DATE OF ORIGINAL SHIPMENT.**

SERVICE POLICY: For inoperative products beyond the warranty period, we assume no liability for replacement of valves due to service conditions beyond our control.

RETURNED GOODS: No material shall be returned without authorization. When credit is issued it will be at the price charged, or prevailing price if lower, less handling charges based on costs of reconditioning, boxing, etc. However, a minimum 25% handling charge will apply. A minimum handling charge of \$20.00 is applied whenever the 25% handling deduction does not total \$20.00. Products which are obsolete or made to special order are not returnable.

NOTE: Prices and terms are subject to change without notice and supersede all previous quotations. The right is reserved to change or modify product design or construction without prior notice and without incurring any obligation to make such changes and modifications on products previously or subsequently sold.

Series LFU5-Z3

Water Pressure Reducing Valves

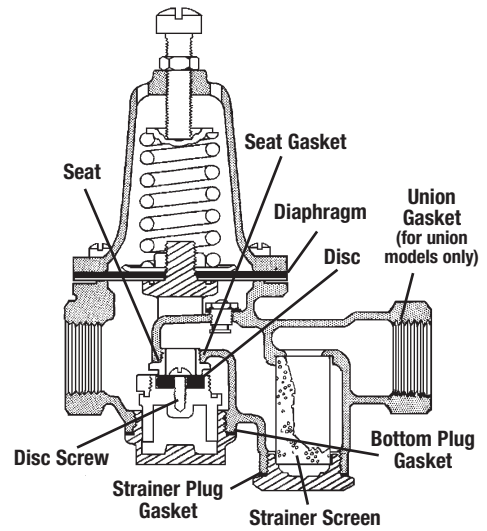
Sizes 1/2" – 2"

Repair Kits

When ordering specify Ordering Code, Kit No., and Valve Size.

ORDERING CODE	KIT NO.	VALVE SERIES	SIZE (IN.)	LIST PRICE
0125121	LFKIT-A-RK	LFU5-Z3	1/2"	\$176.50
0125122	LFKIT-B-RK	LFU5-Z3	3/4"	181.50
0125123	LFKIT-C-RK	LFU5-Z3	1"	189.00
0125124	LFKIT-D-RK	LFU5-Z3	1 1/4"	297.00
0125125	LFKIT-E-RK	LFU5-Z3	1 1/2"	401.50
0125126	LFKIT-F-RK	LFU5-Z3	2"	579.00

Kit for LFU5-Z3 includes all items shown at right



Series LF25AUB, LF25AUB-Z3

Water Pressure Reducing Valves

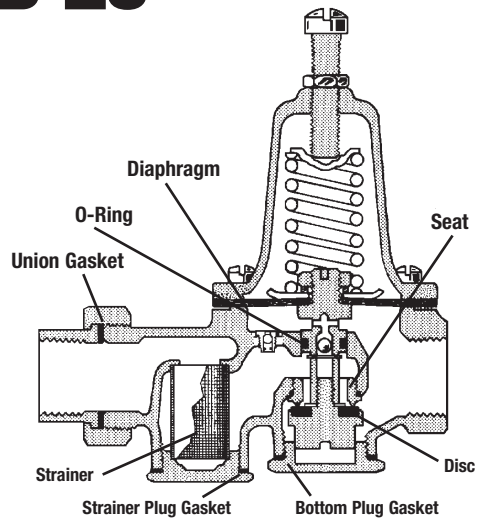
Sizes 1/2" – 2"

Lead Free* Repair Kits

When ordering specify Ordering Code, Kit No., and Valve Size.

ORDERING CODE	KIT NO.	VALVE SERIES	SIZE (IN.)	LIST PRICE
0864941	1/2" LF25AUB-RK	LF25AUB, LF25AUB-Z3	1/2"	\$161.00
0864943	3/4" LF25AUB-RK	LF25AUB, LF25AUB-Z3	3/4"	164.00
0864942	1" LF25AUB-RK	LF25AUB, LF25AUB-Z3	1"	166.00
0864944	1 1/4" LF25AUB-RK	LF25AUB, LF25AUB-Z3	1 1/4"	190.00
0864945	1 1/2" LF25AUB-RK	LF25AUB, LF25AUB-Z3	1 1/2"	194.00
0864946	2" LF25AUB-RK	LF25AUB, LF25AUB-Z3	2"	219.50

Kit for LF25AUB, LF25AUB-Z3 includes all items shown at right



For replacement parts see page 7

* The wetted surface of this product contacted by consumable water contains less than 0.25% of lead by weight

Series LFN45B, LFN45B-EZ

Water Pressure Reducing Valves

Sizes 3/4" – 1"

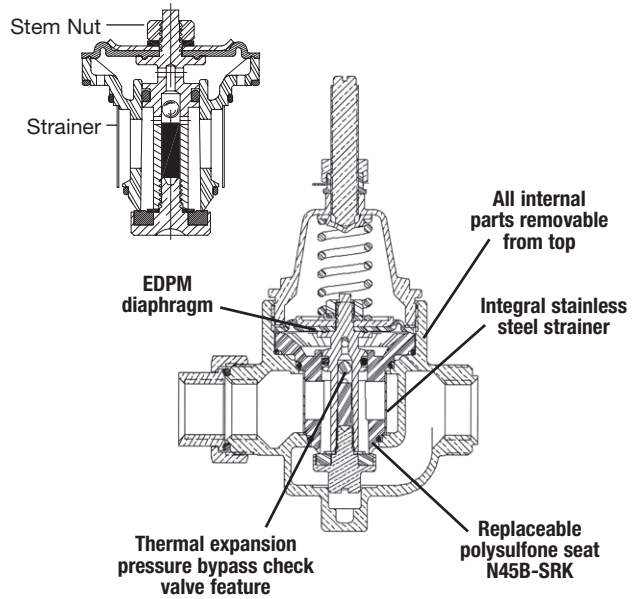
Repair Kits

When ordering specify Ordering Code, Kit No., and Valve Size.

ORDERING CODE	KIT NO.	VALVE SERIES	SIZE (IN.)	LIST PRICE
LEAD FREE 0006960	LFN45B/N55B-EZ-M1-RK	LFN45B/LFN55B-EZ	3/4" – 1"	\$61.00

Kit for LFN45, LFN45B-EZ includes Parts shown at right

COMPLETE SEAT/STEM REPLACEMENT MODULE (includes diaphragm)



Series LF223, LFN223B

High Capacity Water Pressure Regulators

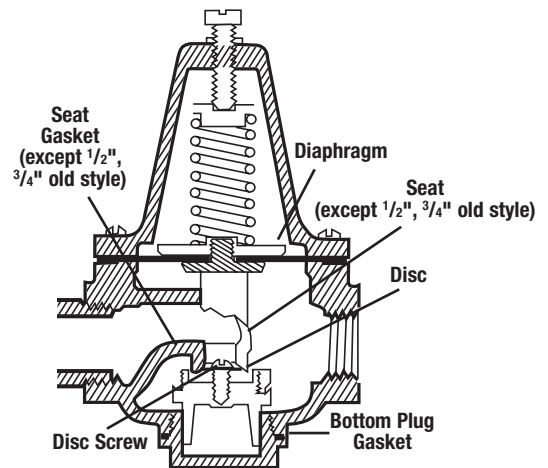
Sizes 1/2" – 3"

Repair Kits

When ordering specify Ordering Code, Kit No., and Valve Size.

ORDERING CODE	KIT NO.	VALVE SERIES	SIZE (IN.)	LIST PRICE	
LEAD FREE	0125123	LFKIT-C-RK	LF223	1/2"-3/4"	\$189.00
	0125124	LFKIT-D-RK	LF223	1"	297.00
	0125125	LFKIT-E-RK	LF223	1 1/4"	401.50
	0125369	LF223N-RK	LFN223	1 1/2"	447.50
	0125370	LF223N-RK	LFN223	2"	730.50
	0125371	LF223N-RK	LFN223	2 1/2"	738.00
	0125372	LFN223M2-RK	LFN223	2 1/2"	738.00
	0877555	LFN223-RK	LF223	2 1/2"-3"	744.50

Kit for LF223, LFN223B includes parts shown at right



Series LFN223F

Flanged High Capacity Water Pressure Regulators

Size 3"

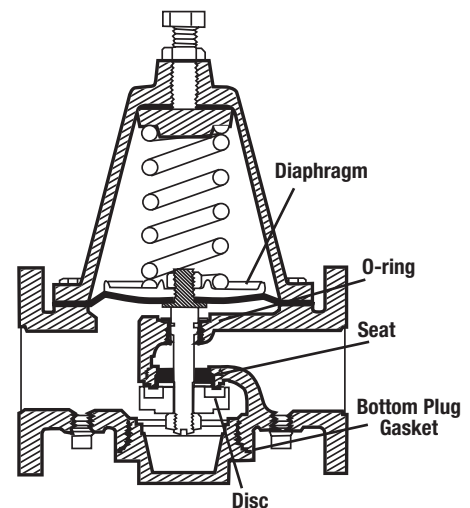
Repair Kits

When ordering specify Ordering Code, Kit No., and Valve Size.

ORDERING CODE	KIT NO.	VALVE SERIES	SIZE (IN.)	LIST PRICE	
LEAD FREE	0878307	LFN223F-RK	LFN223F	3"	\$449.50
	0878306	LFN223-RK	LFN223F-M2	3"	352.50

Kit for LFN223F includes parts shown at right

Kit for LFN223F-M1-M2 includes all rubber parts



For replacement parts see pp.7- 9

Series LF23, LF123, LFN250, LFN256

Water Pressure Reducing Valves

Sizes 1/2" – 3/4"

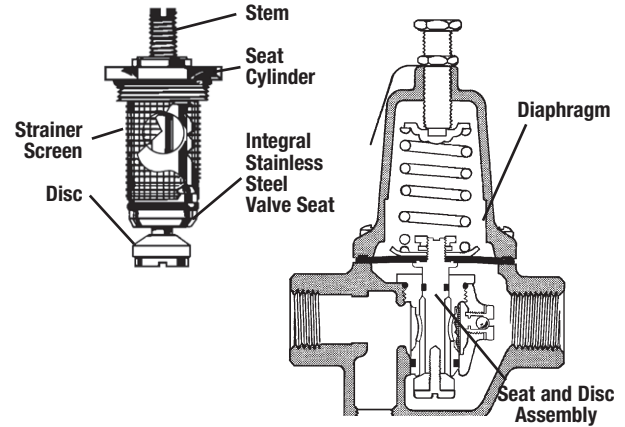
Repair Kits

When ordering specify Ordering Code, Kit No., and Valve Size.

ORDERING CODE	KIT NO.	VALVE SERIES	SIZE (IN.)	LIST PRICE
0125373	1/2" LFN250-RK	LF23, LF123, LFN250	1/2"	\$159.00
0125374	3/4" LFN250-RK	LF23, LF123, LFN250, LFN256	3/4"	166.50

Kit for LF23, LF123, LFN250, LFN256, includes all items shown at right.

Complete Replacement Assembly (Includes Diaphragm)



Series LF26A, LF263A, SS263AP

Small Pressure Regulators

Sizes 1/8" – 1/2"

Repair Kits

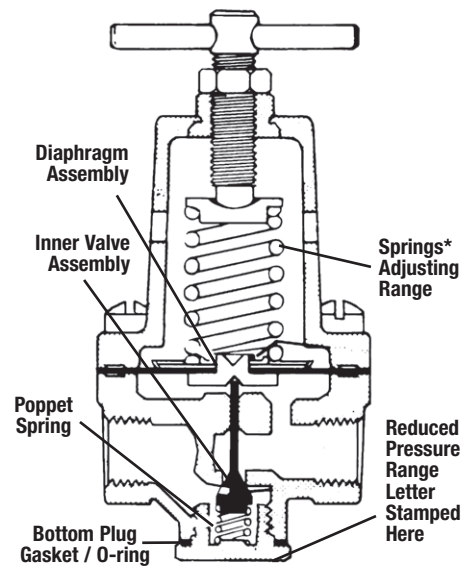
When ordering specify Ordering Code, Kit No., and Valve Size.

ORDERING CODE	KIT NO.	VALVE SERIES	SIZE (IN.)	LIST PRICE
0125360	LFSS263AP-RK	SS263AP	ALL	\$31.50
0125361	LF26A-RK	LF26A, LF263A	ALL	65.50
0335110	SS263 AP-RK-V	SS263AP	ALL	236.00

Pressure Gauges

0121697	1/4" LFDPG3-2	LF26A, LF263A, SS263AP		\$69.50
---------	---------------	------------------------	--	---------

Kit for LF26A, LFSS263AP includes all items shown at right except for adjust



*The wetted surface of this product contacted by consumable water contains less than 0.25% of lead by weight.

Series LF560, LFH560

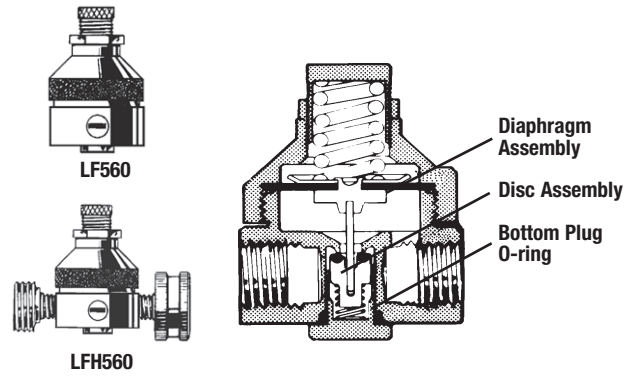
Mini Water Pressure Regulators

Sizes 1/8" x 1/4" and 3/4" x 3/4"

Repair Kits

ORDERING CODE	KIT NO.	VALVE SERIES	SIZE (IN.)	LIST PRICE
0981000	LFRK-H560	LF560, LFH560	ALL	\$59.75

LEAD FREE



Series P60

Plastic Water Regulators

Size 1/4"

Repair Kits

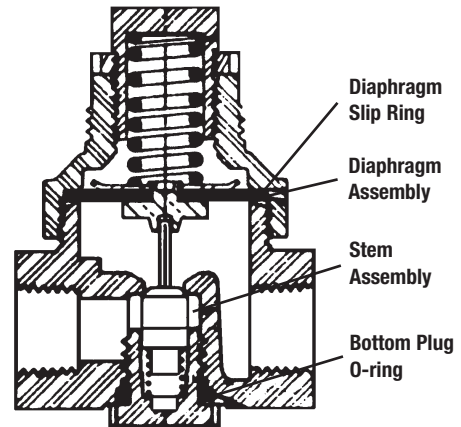
When ordering specify Ordering Code, Kit No., and Valve Size.

ORDERING CODE	KIT NO.	VALVE SERIES	SIZE (IN.)	LIST PRICE
0354563	P60-RK	P60	1/4"	\$46.25

Pressure Gauge

0121699	LFDPG3-20-160	P60	1/4"	\$69.50
---------	---------------	-----	------	---------

Kit for P60 includes parts shown at right



Series LFU5-Z3, LF25AUB-Z3, LF223

Replacement Parts

When ordering specify Ordering Code, Kit No., and Valve Size.

ORDERING CODE	PART NO.	LFU5-Z3						LF25AUB-Z3						LF223						LIST PRICE
SEATS																				
1016847	50C16-P																			8.25

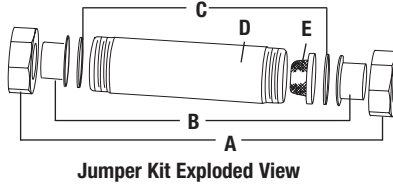
	ORDERING CODE	PART NO.	SIZE (in.)	PRESSURE RATING	LIST PRICE
Replacement Pressure Gauges - All (GG) Series Regulators					
LEAD FREE	0121713	1/8" LFDPG5-2	1/8"	0-160psi	\$69.50
	0121691	1/4" LFDPG5-2	1/4"	0-160psi	69.50

Kit for P60 includes parts shown at right

*The wetted surface of this product contacted by consumable water contains less than 0.25% of lead by weight.

Jumper Kits

Sizes 3/4" - 2"



Kits consists of:
 A - Union Nut (2)
 B - Sweat Tailpiece (2)
 C - Fiber Washer (2)
 D - Jumper Nipple
 E - Screen

When ordering specify Ordering Code, Kit No., and Valve Size.

Complete Kits

With Plastic Nipple

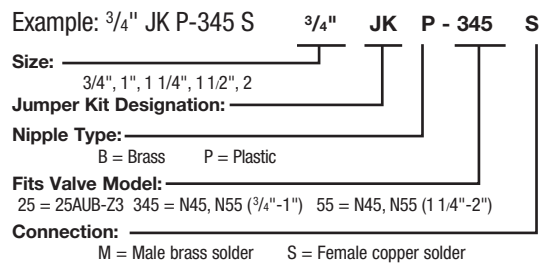
MODEL	ORDERING CODE	SIZE (IN.)	LIST PRICE
Female x Female Copper Sweat Tailpiece			
JK-P-25 S	0006944	1 1/4"	\$133.50
JK-P-55 S	0007721	1 1/4"	173.50

Kit for P60 includes parts shown at right



Jumper Kit

HOW TO ORDER JUMPER KITS



Jumper Kits Include: Jumper Nipple, strainer screen, 2 fiber washers, 2 union nuts and tailpieces as described above. Jumper Kits are the correct lay length for the water pressure reducing Valves as listed below. When removing Jumper Nipple and inserting the water pressure reducing valve, two O-rings (ordered separately) are required.

Series 127 & 127W

Steam/Water Pressure Regulators

Sizes 1/2" – 4"

Repair Kits

When ordering specify Ordering Code, Kit No., and Valve Size.

ORDERING CODE	PART NO.	ITEM	SIZE (IN.)	LIST PRICE
Complete Disc Assemblies				
0889210	127B37SRK	Disc Assembly (127 SS)	1/2", 3/4"	\$562.00
0889211	127C37SRK	Disc Assembly (127 SS)	1", 1 1/4"	647.50
0889212	127E37SRK	Disc Assembly (127 SS)	1 1/2"	744.50
0889213	127F37SRK	Disc Assembly (127 SS)	2"	911.50
0889214	127G37SRK	Disc Assembly (127 SS)	2 1/2"	1,056.00
0889215	127H37SRK	Disc Assembly (127 SS)	3", 4"	1,089.00
0889220	127H37RRK	Disc Assembly (127 W)	3", 4"	1,260.00

Includes all items marked**

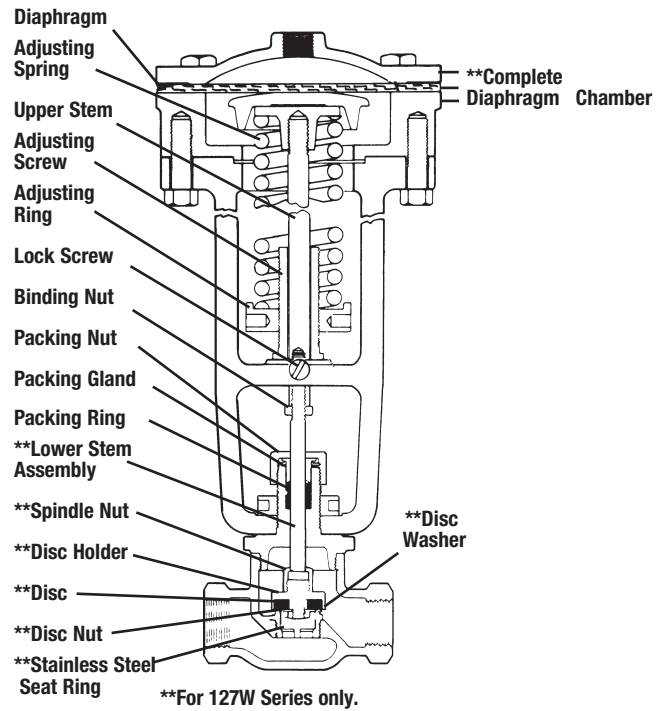
Complete Diaphragm Chamber

0889230	SA6L20G RK	Diaphragm Chamber	1/2"-4"	\$940.50
0889231	SA8L20G RK	Diaphragm Chamber	1/2"-4"	1,220.00
0889232	SA10L20G RK	Diaphragm Chamber	1/2"-4"	1,656.00

Replacement Parts

ORDERING CODE	PART NO.	ITEM	SIZE (IN.)	LIST PRICE
0889226	6L20 RK	Diaphragm 6"	1/2"-4"	\$118.50
0889227	8L20 RK	Diaphragm 8"	1/2"-4"	172.50
0889228	10L20 RK	Diaphragm 10"	1/2"-4"	291.00
See Below	***1 or ***2	*Adjusting Spring	1/2"-4"	
0889238	*RK-Black	Spring-Black	1/2"-4"	131.50
0889239	*RK-Green	Spring-Green	1/2"-4"	131.50

***1 Packing Ring - 3 required per valve



Series 152A, 152AT, 252A, 252AT

Steam Pressure Regulators

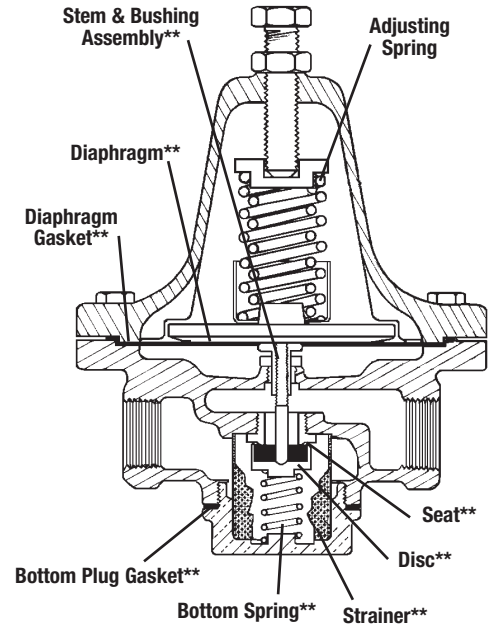
Sizes 1/2" – 2"

When Ordering, Specify: 1. Ordering Code 2. Regulator Number
3. Part Name and Number or Kit Number 4. When Ordering Adjusting Spring, specify Reduced Pressure Range and Spring Number.

Repair Kits

ORDERING CODE	KIT NO.	MODELS	SIZE (IN.)	LIST PRICE
0875505	152ARK	152A, 252A	1/2"	\$443.00
0875605	152ARK	152A, 252A	3/4"	501.50
0875705	152ARK	152A, 252A	1" or 1 1/4"	628.00
0875725	152ARK	152A, 252A	1 1/2" or 2"	1,099.00
0875751	152ATRK	152AT, 252AT	1/2"	443.00
0875860	152ATRK	152AT, 252AT	3/4"	501.50
0875861	152ATRK	152AT, 252AT	1" or 1 1/4"	628.00

Complete repair kits include all items at right marked **



Series 152SS

Steam Pressure Regulators

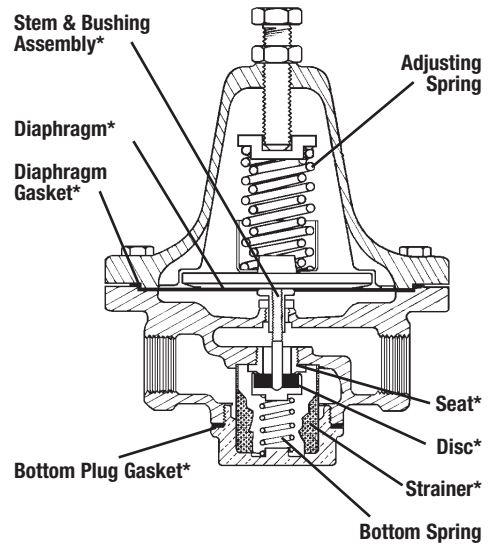
Sizes 1/2" – 1"

Repair Kits

When ordering specify Ordering Code, Kit No., and Valve Size.

ORDERING CODE	PART NO.	MODELS	SIZE (IN.)	LIST PRICE
0875512	1/2" 152SS-RK	152SS	1/2"	\$1,059.00
0875627	3/4"-1" 152SS-RK	152SS	3/4"-1"	1,119.00

Kit for 152SS includes all items at right*



Series 152SST

Steam Pressure Regulators

Sizes 1/2" – 1"

Repair Kits

Same parts as 152SS except for

ORDERING CODE	PART NO.	ITEM	SIZE (IN.)	LIST PRICE
0875512	1/2" 152SS-RK	152SS	1/2"	\$1,059.00
0875627	3/4"-1" 152SS-RK	152SS	3/4"-1"	1,119.00

Kit for 152SS includes all items at right*

Lead Free* Copper Silicon Alloy LFB6800, LFB6400, LFB6780 Ball Valves



SSK Series

When ordering specify Ordering Code, Kit No., and Valve Size.

ORDERING CODE	KIT NO.	VALVE SERIES	VALVE SIZE (IN.)	LIST PRICE
---------------	---------	--------------	------------------	------------

Seat and Seal Kits

ORDERING CODE	KIT NO.	VALVE SERIES	VALVE SIZE (IN.)	LIST PRICE
0885494	2 SSK-02-RK	LFB6800, LFB6801	1/4", 3/8", 1/2"	\$58.00
0885472	3 SSK-02-RK	LFB6400	1/4", 3/8", 1/2"	43.50
0885534	5 SSK-01-RK	LFB6800, LFB6801	3/4"	68.00
0885495	5 SSK-02-RK	LFB6800, LFB6801	3/4"	68.00
0885861	65 SSK-02-RK	LFB6400	1"	79.50
0885475	7 SSK-02-RK	LFB6400	1 1/4"	123.50
0885658	7 SSK-01-RK	LFB6800, LFB6801	1"	123.50
0885475	7 SSK-02-RK	LFB6800, LFB6801	1"	123.50
0885476	8 SSK-02-RK	LFB6400	1 1/2"	167.00
		LFB6800, LFB6801	1 1/4"	
0885491	9 SSK-01-RK	LFB6800, LFB6801	1 1/2"	212.50
0885477	9 SSK-02-RK	LFB6800, LFB6801	1 1/2"	212.50
0885477	9 SSK-02-RK	LFB6400	2"	212.50
0885625	10 SSK-01-RK	LFB6800, LFB6801	2"	330.50
0885721	10 SSK-02-RK	LFB6800, LFB6801	2"	330.50
0885721	10 SSK-02-RK	LFB6400	2 1/2"	330.50

ORDERING CODE	KIT NO.	VALVE SERIES	VALVE SIZE (IN.)	LIST PRICE
0885446	19 SSK-01-RK	LFB6780, LFB6781	1/4", 3/8", 1/2"	\$47.00
0406321	SSK01RKM2 #8	LFB6780, LFB6781	1 1/4"	167.00
0885533	23 SSK-01-RK	LFB6780	1 1/2"	167.00
0885493	24 SSK-01-RK	LFB6780	2"	212.50

Seat and Seal Kit Option Codes:

Suffix:

01 - Virgin Teflon® (TFE)

02 - "Standard" Durafill®

2
Ball Valves

Lead Free* Copper Silicon Alloy LFB6800, LFB6400, LFB6780 Ball Valves

Ball and Stem Kits



BSK Series

When ordering specify Ordering Code, Kit No., and Valve Size.

ORDERING CODE	KIT NO.	VALVE SERIES	VALVE SIZE (IN.)	LIST PRICE
---------------	---------	--------------	------------------	------------

Lever Handle Kits

ORDERING CODE	KIT NO.	VALVE SERIES	VALVE SIZE (IN.)	LIST PRICE
0123644	2 LFBSK-B-RK	LFB6400, LFB6800	1/4", 3/8", 1/2"	\$49.75
0123650	3 LFBSK B-RK	LFB6400, LFB6800	1/4", 3/8", 1/2"	52.25
0125101	5 LFBSK-B-RK	LFB6400	1"	92.75
0123651	6 LFBSK-B-RK	LFB6800	3/4"	105.50
0123646	7 LFBSK-B-RK	LFB6400, LFB6800	1 1/4", 1 1/2"	142.50
0123647	8 LFBSK-B-RK	LFB6400, LFB6800	1 1/4", 1 1/2"	202.00
0123656	9 LFBSK-B-RK	LFB6400, LFB6800	2", 1 1/2"	282.50
0125098	10 LFBSK-B-RK-M2	LFB6400, LFB6800	2", 1 1/2"	215.00
0123661	11 LFBSK-SS-RK	LFB6800	2"	811.50
0123653	11LFBSK-B-RK	LFB6400, LFB6800	2", 2 1/2"	503.50
0123643	12 LFBSK-B-RK	LFB6400	3"	646.50
0123662	26 LFBSK-B-RK	LFB6780	3/8", 1/2"	42.75
0123663	27 LFBSK-B-R	LFB6780	3/4"	61.25
0123664	28 LFBSK-B-RK	LFB6780	1"	98.50
0123668	29 LFBSK-B-RK	LFB6780	1 1/4"	142.50
0123665	30 LFBSK-B-RK	LFB6780	1 1/2"	202.00
0123666	31 LFBSK-B-RK	LFB6780	2"	681.50
0125159	35 LFBSK-B-RK	LFB6400	4"	788.00

*The wetted surface of this product contacted by consumable water contains less than 0.25% of lead by weight.

Lead Free* Copper Silicon Alloy LFB6800, LFB6400, LFB6780 Ball Valves

Standard Lever Handle Kits

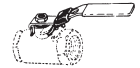


HK Series

When ordering specify Ordering Code, Kit No., and Valve Size.

ORDERING CODE	KIT NO.	VALVE SERIES	VALVE SIZE (IN.)	LIST PRICE
0885452	1 HK	LFB6400	1/4", 3/8", 1/2"	\$19.25
		LFB6780-M1	1/4", 3/8", 1/2"	
		LFB6800	1/4", 3/8", 1/2"	
		LFB6780-M1	3/4"	
0885453	2 HK	LFB6400	3/4"	24.00
		LFB6800	3/4"	
		LFB6080	1"	
0885455	4 HK	LFB6800	1", 1 1/4"	29.75
		LFB6400	1 1/4", 1 1/2"	
		LFB6780-M1	1 1/4", 1 1/2"	
0885457	5 HK	LFB6800	1 1/2", 2"	29.75
		LFB6400	2 1/2", 3"	

Latch - Lock Lever Handle Kits



LL Series

When ordering specify Ordering Code, Kit No., and Valve Size.

ORDERING CODE	KIT NO.	VALVE SERIES	VALVE SIZE (IN.)	LIST PRICE
0885585	2 LL-HK	LFB6400-LL	1/4", 3/8", 1/2"	49.50
		LFB6800-LL	1/4", 3/8", 1/2"	
0885536	4 LL-HK	LFB6400-LL	3/4"	52.25
		LFB6800-LL	3/4"	
0885589	6 LL-HK	LFB6400-LL	1"	52.25
0885571	7 LL-HK	LFB6800-LL	1", 1 1/4"	89.25
		LFB6400-LL	1 1/4", 1 1/2"	
0885574	9 LL-HK	LFB6800-LL	1 1/2", 2"	85.50
		LFB6400-LL	2"	
0885565	10 LL-HK	LFB6800-LL	2"	85.50
		LFB6400-LL	3"	

Stainless Steel Lever Handle Kits



SH Series

When ordering specify Ordering Code, Kit No., and Valve Size.

ORDERING CODE	KIT NO.	VALVE SERIES	VALVE SIZE (IN.)	LIST PRICE
0887382	1 SH-HK	LFB6400	1/4", 3/8", 1/2"	23.75
		LFB6780-M1	1/4", 3/8", 1/2"	
		LFB6800	1/4", 3/8", 1/2"	
0887383	2 SH-HK	LFB6400	3/4"	23.75
		LFB6780-M1	3/4"	
		LFB6800	3/4"	
0887395	4 SH-HK	LFB6800	1", 1 1/4"	44.25
		LFB6400	1 1/4", 1 1/2"	
		LFB6780-M1	1 1/4", 1 1/2"	
0887386	5 SH-HK	LFB6800	1 1/2", 2"	50.00
		LFB6400	2 1/2", 3"	
		LFB6780-M1	2 1/2", 3"	

2

Ball Valves

Lead Free* Bronze LFB6800, LFB400, LFB6080, LFB6780 Ball Valves

Extended Lever Handle Kits

XHK Series

When ordering specify Ordering Code, Kit No., and Valve Size.



ORDERING CODE	KIT NO.	VALVE SERIES	VALVE SIZE (IN.)	LIST PRICE
0407760	7 XHK-LH-HK	LFB6400	1/4", 3/8", 1/2"	\$90.00
		LFB6800	1/4", 3/8", 1/2"	
		LFB6780-M1	1/4", 3/8", 1/2", 3/4"	
0407761	8 XHK-LH-HK	LFB6400	3/4"	90.00
		LFB6800	3/4"	
0407762	9 XHK-LH-HK	LFB6400	1"	90.00
		LFB6780-M1	1"	
0407763	10 XHK-LH-HK	LFB6400	1 1/4", 1 1/2"	90.00
		LFB6780-M1	1 1/2"	
		LFB6800	1", 1 1/4"	
0407764	11 XHK-LH-HK	LB6400	1 1/4", 1 1/2"	90.00
		LB6800	1", 1 1/4"	
0407765	12 XHK-LH-HK	LFB6800-SS	1 1/2", 2"	90.00
		LB6400-SS	2", 2 1/2", 3"	
		LFB6080-SS	2 1/2", 3"	
0407766	13XHK-LH-HK	B-6800	1 1/2", 2"	90.00
		B-6400	2", 2 1/2", 3"	
		B-6080	2"	

G4000-M1

Seat and Seal Kits

SSK Series

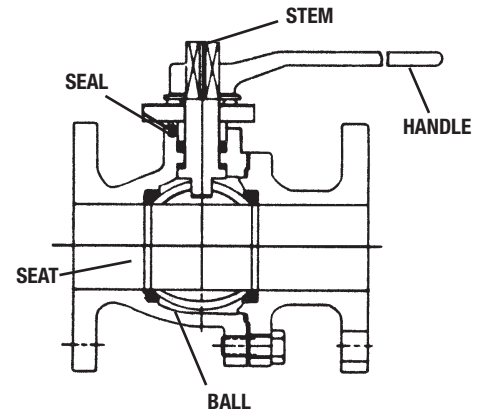
When ordering specify Ordering Code, Kit No., and Valve Size.

ORDERING CODE	KIT NO.	VALVE SERIES	VALVE SIZE (IN.)	LIST PRICE
0830002	SSK-G4000-M1	G4000-M1	3"	454.50

Ball and Stem Kits

BSK Series

ORDERING CODE	KIT NO.	VALVE SERIES	VALVE SIZE (IN.)	LIST PRICE
0830005	BSK-G4000-M1	G4000-M1	2"	357.00



Handle Kits

HK Series

ORDERING CODE	KIT NO.	VALVE SERIES	VALVE SIZE (IN.)	LIST PRICE
0835502	HK-G4000-M1	G4000-M1	3"	91.50

Series 405

Iron Flanged Gate Valves

Sizes 2 1/2" – 10"

Handle Kits and Packing Gland

When ordering specify Ordering Code, Kit No., and Valve Size.

ORDERING CODE	KIT NO.	VALVE SERIES	SIZE (IN.)	LIST PRICE
0899336	405-PkingGland	405	2 1/2"	31.00
0899337	405-HandleWheel	405	3"	151.50
0899339	405-HandleWheel	405	4"	269.50
0899340	405-PkingGland	405	4"	54.75
0899342	405-PkingGland	405	6"	85.00
0899343	405-HandleWheel	405	8"	535.00
0899344	405-PkingGland	405	8"	108.00
0899346	405-PkingGland	405	10"	152.00

3

Series LF408

Iron Flanged Gate Valves

Sizes 2 1/2" – 10"

Handle Kits

When ordering specify Ordering Code, Kit No., and Valve Size.

ORDERING CODE	KIT NO.	VALVE SERIES	SIZE (IN.)	LIST PRICE
Domestic				
0889612	408-HK	408	2 1/2"	\$482.00
0889613	408-HK	408	3"	747.00
0889614	408-HK	408	4"	861.00
0889615	408-HK	408	6"	1,172.00
0889616	408-HK	408	8"	1,401.00
0889617	408-HK	408	10"	2,006.00

Import

ORDERING CODE	KIT NO.	VALVE SERIES	SIZE (IN.)	LIST PRICE
0889640	408-RW-HK-F	408-RW	2 1/2"	\$482.00
0889641	408-RW-HK-F	408-RW	3"	747.00
0889642	408-RW-HK-F	408-RW	4"	861.00
0889644	408-RW-HK-F	408-RW	8"	1,401.00

Gate/Globe/Check Valves

Series LF600, LF601

Bronze Silent Check Valves

Sizes 1/4" – 2"

Repair Kits

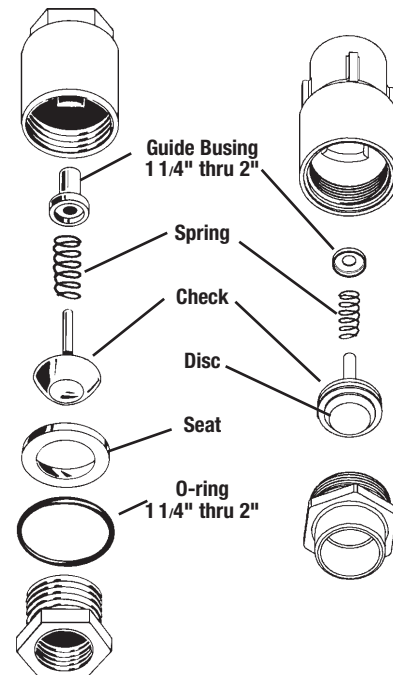
When ordering specify Ordering Code, Kit No., and Valve Size.

ORDERING CODE	KIT NO.	VALVE SERIES	SIZE (IN.)	LIST PRICE
0125143	600RK	600	1/4"- 3/8"-1/2"	\$ 75.00
0125144	600RK	600	3/4"	82.75
0125141	600RK	600	1"	106.00
0125145	600RK	600	1 1/4"	215.50
0125142	600RK	600	1 1/2"	265.00
0125146	600RK	600	2"	347.50

Kit for LF600, LF601 consists of parts shown at right

Model LF600

Model LF601



Strainer Screens and Gaskets

Standard Strainer Screen Replacements

SERIES	SIZE (IN.)	SCREEN ORDERING CODE	PART NO.	STANDARD SCREEN SIZE	LIST PRICE
--------	------------	----------------------	----------	----------------------	------------

GASKET ORDERING CODE	PART NO.	LIST PRICE
----------------------	----------	------------

Series LF777SI / LFS777SI (3/8" – 3") 20 Mesh Screen Only

SERIES	SIZE (IN.)	SCREEN ORDERING CODE	PART NO.	STANDARD SCREEN SIZE	LIST PRICE
777SI	3/8"	0899118	RK 777SI-Screen	20 Mesh	\$24.50
777SI	1/2"	0899119	RK 777SI-Screen	20 Mesh	20.50
777SI	3/4"	0899120	RK 777SI-Screen	20 Mesh	33.00
777SI	1"	0899121	RK 777SI-Screen	20 Mesh	37.50
777SI	1 1/4"	0899122	RK 777SI-Screen	20 Mesh	52.50
777SI	1 1/2"	0899123	RK 777SI-Screen	20 Mesh	59.75
777SI	2"	0125083	RK 777SI-Screen	20 Mesh	142.00
777SI	2 1/2"	0899125	RK 777SI-Screen	20 Mesh	201.50
777SI	3"	0899126	RK 777SI-Screen	20 Mesh	264.50

0899109	RK 777SI-Gasket	\$20.50
0899110	RK 777SI-Gasket	13.25
0899111	RK 777SI-Gasket	14.00
0899112	RK 777SI-Gasket	18.00
0899113	RK 777SI-Gasket	19.00
0899114	RK 777SI-Gasket	30.25
0899115	RK 777SI-Gasket	43.50
0899116	RK 777SI-Gasket	62.25

LEAD FREE*

*The wetted surface of this product contacted by consumable water contains less than 0.25% of lead by weight.

Series 2000

Flow Checks

Sizes 3/4" – 3"

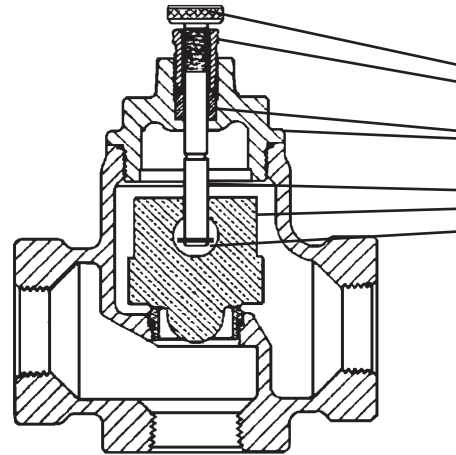
Repair Kits

When ordering specify Ordering Code, Kit No., and Valve Size.

ORDERING CODE	KIT NO.	VALVE SERIES	SIZE (IN.)	LIST PRICE
0856765	2000 M5-RK	All Models**	3/4"	\$183.00
0856765	2000 M5-RK	All Models	1"	183.00
0885431	2000 M5-RK	All Models	1 1/2"-2"	490.50
0885433	2000 M5-RK	All Models	2 1/2"-3"	694.50
0856767	2000S M5-RK	All Models	3/4"	141.00
0856768	2000S M5-RK	All Models	1"	151.00

Kit for 2000 Series consists of Bonnet Assembly, Disc and Gasket/O-rings.

**For 2000-M3 3/4" use Ordering Code No. 0856767



Kit includes:
Bonnet Disc
Assembly and
Gasket O-Ring.

5

Hydronic Heating Products

Series 142

Process Boiler Water Feeders

Size 1/2"

Repair Kits

When ordering specify Ordering Code, Kit No., and Valve Size.

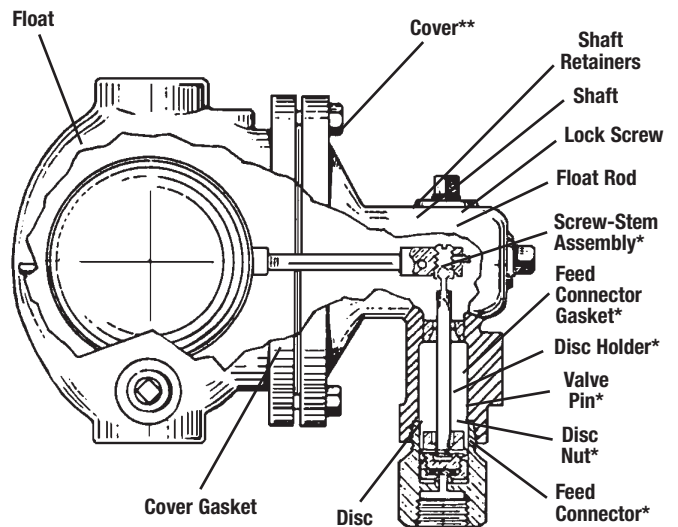
ORDERING CODE	PART NO.	DESCRIPTION	LIST PRICE
0889224	142FA-RK	Feed Assembly	\$241.00

Replacement Parts

ORDERING CODE	PART NO.	DESCRIPTION	LIST PRICE
0889223	142 Float RK	Float	\$207.50

**Model. 142 parts are interchangeable except for feed assembly and cover.

*Complete Feed Assembly includes ALL items marked



Series N89

Low Water Cut-Offs

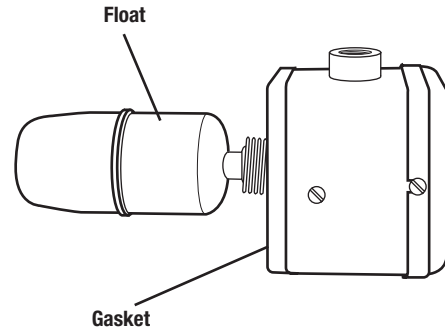
Size 1"

Repair Kits

When ordering specify Ordering Code, Kit No., and Valve Size.

ORDERING CODE	PART NO.	DESCRIPTION	SIZE (IN.)	LIST PRICE
0889222	N89 Float Kit	N89	ALL	\$127.00

Kits consist of Float and Gasket



Series FS10-FS20

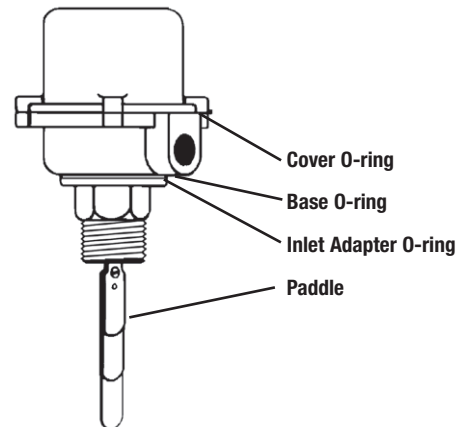
Flow Switches

Size 1"

Replacement Parts

When ordering specify Ordering Code, Kit No., and Valve Size.

ORDERING CODE	KIT NO.	VALVE SERIES	DESCRIPTION	LIST PRICE
0863095	FS10-R RK	FS10	Inlet Adapter O-ring	\$12.50
0863096	FS20-R RK	FS20	Inlet adapter, Base and Cover O-rings	15.75



Series LF1170-M2

Hot Water Temperature Control Valves

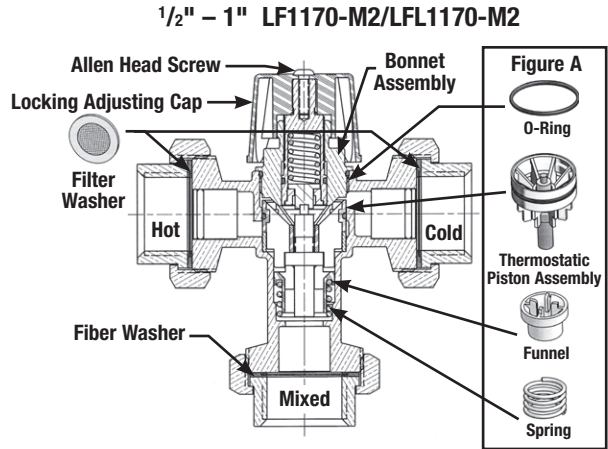
Sizes 1/2" - 1"

Repair Kits

When ordering specify Ordering Code, Kit No., and Valve Size.

ORDERING CODE	PART NO.	SIZE (IN.)	LIST PRICE
0559112	LF1170-M2 RK	1/2"-1"	\$145.50
0559113	LFL1170-M2 RK	1/2"-1"	145.50

Kit for LF1170-M2, LFL1170-M2 includes items at right labeled figure A



6

Tempering Valves

Series LFMMV-M1

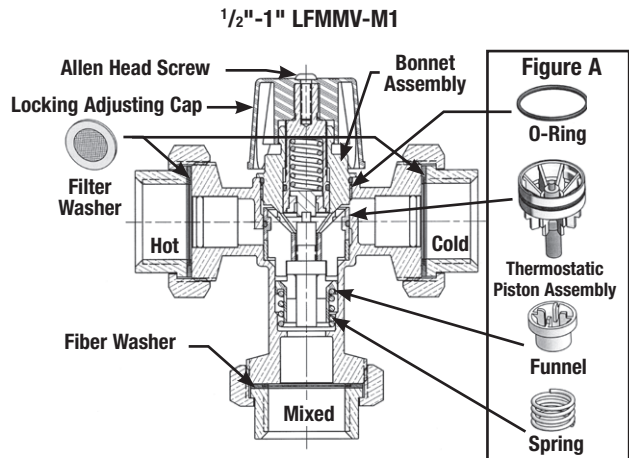
Thermostatic Mixing Valves

Sizes 1/2" - 1"

Repair Kits

When ordering specify Ordering Code, Kit No., and Valve Size.

SIZE	SERIES	ORDERING CODE	PART NO.	LIST PRICE
1/2"-1"	LFMMV-M1	0559123	LFMMV-M1-RK	\$163.50



Series LF70A

Hot Water Extender Tempering Valves

Sizes 1/2" - 3/4"

Repair Kits

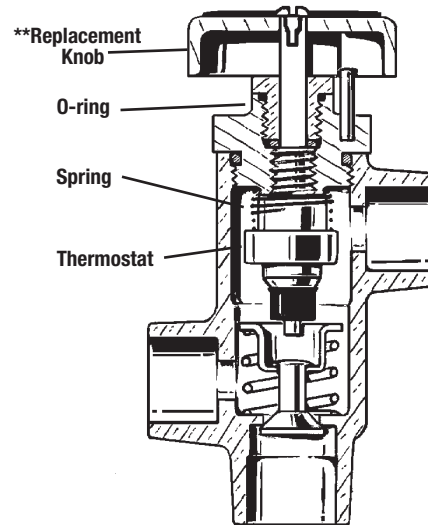
When ordering specify Ordering Code, Kit No., and Valve Size.

	ORDERING CODE	KIT NO.	VALVE SERIES	SIZE	LIST PRICE
LEAD FREE	0125129	LF70A-RK	LF70A, LF70AF	1/2"- 3/4"	\$140.00
	0125130	LFL70A-RK	LFL70A, LFL70AF	1/2"- 3/4"	135.00

Kit No. LF70A, LFL70A, includes parts shown at right

**REPLACEMENT KNOB, not included in kit.

Part No. 70A54P-CAP-1053017. List price \$1.10



⚠ WARNING

WATTS HOT WATER EXTENDER TEMPERING VALVES CANNOT BE USED FOR TEMPERING WATER TEMPERATURE AT FIXTURES. SEVERE BODILY INJURY, i.e., SCALDING OR CHILLING, AND/OR DEATH MAY RESULT DEPENDING UPON SYSTEM WATER PRESSURE CHANGES AND/OR SUPPLY WATER TEMPERATURE CHANGES. DEVICES TESTED TO ASSE STANDARD 1016 SHOULD BE USED AT FIXTURES TO PREVENT POSSIBLE INJURY.

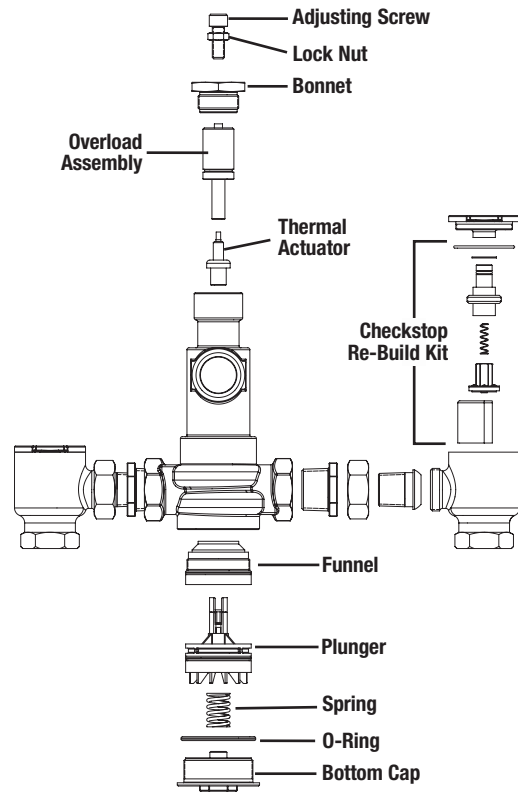
The WATTS hot water tempering valves are designed to be installed at or near the boiler or hot water heater. They are not designed to compensate for system pressure and/or temperature fluctuations and should not be used where ASSE standard 1016 devices are required. These WATTS valves should never be used to provide "anti-scald" or "anti-chill" service.

Series LFN170-M3, LFN170-M3 CSUT

Master Mixing Valves

When ordering specify Ordering Code, Kit No., and Size.

	SIZE (IN.)	KIT NO.	ORDERING CODE	PARTS INCLUDED	LIST PRICE
LEAD FREE*	3/4 - 1	3/4-1 LFN170-RK-M3	0887490	Adjusting Screw, Bonnet, Thermal Actuator, Locknut, Plunger, Spring, O-Ring	\$231.00
	1-1/4 - 2	1-1/4-2 LFN170-RK-M3	0125153	Adjusting Screw, Bonnet, Thermal Actuator, Locknut, Plunger, Spring, O-Ring	330.00
	3/4 - 1	3/4-1 LFN170-FN-RK-M3	0125151	Funnel	527.50
	1-1/4 - 2	1-1/4-2 LFN170-FN-RK-M3	0125154	Funnel	592.00
	3/4 - 1	3/4-1 LFN170-ST-RK-M3	0125152	Stop Replacement Kit	268.50
	1-1/4 - 2	1-1/4-2 LFN170-ST-RK-M3	0887491	Stop Replacement Kit	344.00



Series 2

Washing Machine Water Shut off Valves

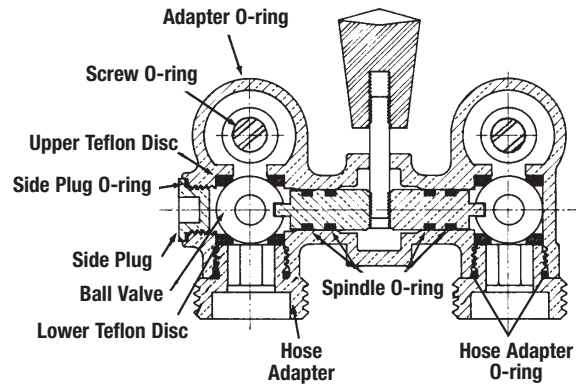
Size 1/2"

Repair Kits

When ordering specify Ordering Code, Kit No., and Valve Size.

ORDERING CODE	KIT NO.	MODELS	SIZE (IN.)	LIST PRICE
0862000	2-M2-RK	2-M1-2T-M1 2-M2-2T-M2	1/2"	\$44.50

Kit for Series 2 consists of: 1-Side Plug O-ring 4-Teflon Discs 2-Spindle O-rings
2-Adapter O-rings 2-Adapter Screw O-rings
Model identification shown on body casting.



Series A200

Trap Primers

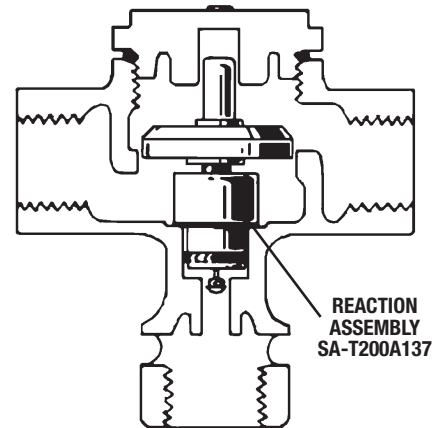
Size 1/2"

Repair Kits

When ordering specify Ordering Code, Kit No., and Valve Size.

ORDERING CODE	KIT NO.	VALVE SERIES	SIZE (IN.)	LIST PRICE
0877070	A200RK	A200	1/2"	\$53.75

Reaction Assembly consists of Disc, Trap Disc, Trap Seat and Closing Disc.



Series FH-M1, FHV, FHB

Frost-Proof Wall Hydrants

Sizes 1/2" x 1/2", 3/4" x 1/2" and 3/4" x 3/4"

Repair Kits

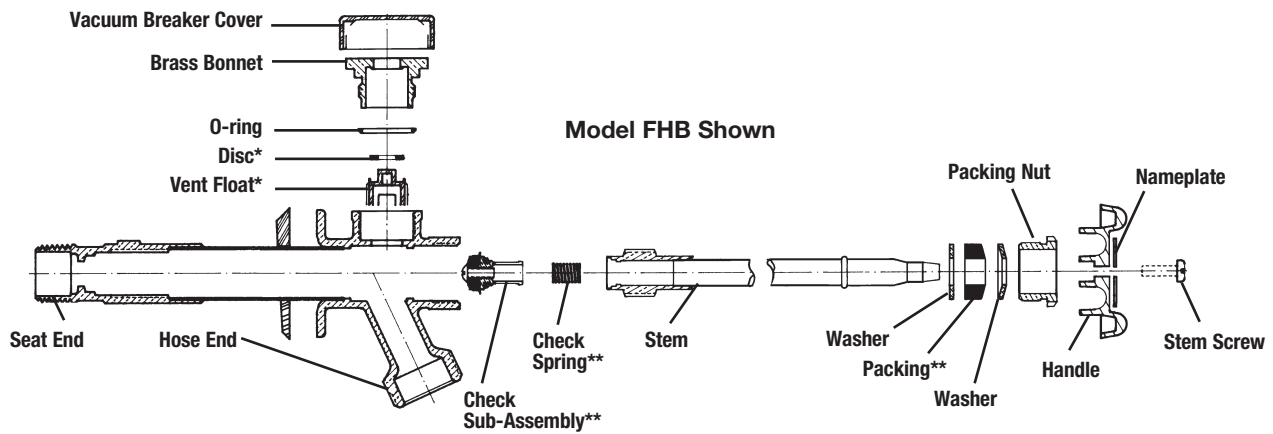
When ordering specify Ordering Code, Kit No., and Valve Size.

ORDERING CODE	KIT NO.	VALVE SERIES	SIZE (IN.)	LIST PRICE
0723061	FHB-RK	FHB	ALL	\$38.50
0723064	FHB-V-RK	FHB	ALL	35.75
0723126	FH-M1-RK	FH-M1	ALL	23.25

Kit FHB-RK consists of all parts shown below**

Kit FHB-V-RK consists of all parts shown below*

Kit FH-M1-RK consists of O-ring, Gland and Stem Packing, disc and disc screw



*Supplied with RK-FHB-V (1/2", 3/4")

**Supplied with RK-FHB (1/2", 3/4")

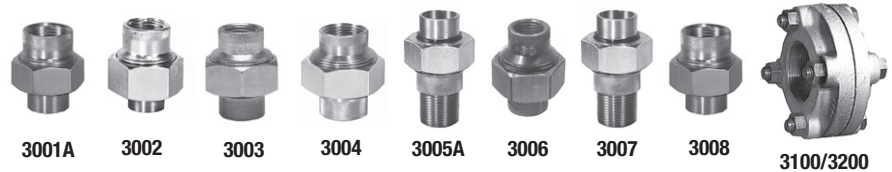
Series 3000

Dielectric Unions

Sizes 1/2" – 4"

Gasket and Insulator Kits

When ordering specify Ordering Code, Kit No., and Valve Size.



ORDERING CODE	KIT NO.	VALVE SERIES	SIZE (IN.)	LIST PRICE
---------------	---------	--------------	------------	------------

Model GA Gasket Kits (2 GA Gaskets per Kit)

0881400	GA-A	3001	1/2"	\$8.00
0881400	GA-A	3002	1/2"	8.00
0881400	GA-A	3005	1/2"	8.00
0881400	GA-A	3007	1/2"	8.00
0881401	GA-B	3001	3/4"	8.00
0881401	GA-B	3005	3/4"	8.00
0881401	GA-B	3003	1/2"	8.00
0881401	GA-B	3004	1/2"	8.00
0881401	GA-B	3006	1/2"	8.00
0881401	GA-B	3007	3/4"	8.00
0881401	GA-B	3008	1/2"	8.00
0881402	GA-C	3001	1"	9.75
0881402	GA-C	3002	1"	9.75
0881403	GA-D	3001	1 1/4"	11.25
0881404	GA-E	3001	1 1/2"	11.50
0881405	GA-F	3001	2"	14.75
0881406	GA-G	3002	3/4"	8.00
0881407	GA-H	3003	3/4"	9.75
0881407	GA-H	3004	3/4"	9.75
0881407	GA-H	3006	3/4"	9.75
0881401	GA-B	3008	3/4"	8.00
0881408	GA-J	3003	1"	9.75
0881408	GA-J	3004	1"	9.75
0881408	GA-J	3006	1"	9.75
0881408	GA-J	3008	1"	9.75
0881409	GA-K	3003	1 1/4"	12.25
0881409	GA-K	3004	1 1/4"	12.25
0881409	GA-K	3006	1 1/4"	12.25
0881410	GA-L	3003	1 1/2"	16.25
0881410	GA-L	3004	1 1/2"	16.25
0881410	GA-L	3006	1 1/2"	16.25
0881411	GA-M	3003	2"	21.00
0881411	GA-M	3004	2"	21.00
0881411	GA-M	3006	2"	21.00
0889130	GA-N	3100	2"	41.75
0889130	GA-N	3200	2"	41.75
0881414	GA-P	3100	2 1/2"	44.25
0881414	GA-P	3200	2 1/2"	44.25
0881415	GA-Q	3100	3"	50.75
0881415	GA-Q	3200	3"	50.75
0881416	GA-R	3100	4"	44.25
0881416	GA-R	3200	4"	44.25

GA Gasket - Standard

For use with water, air, oil, natural gas, propane, gasoline, kerosene, mineral oil, vegetable oil, alkalines.

ORDERING CODE	KIT NO.	VALVE SERIES	SIZE (IN.)	LIST PRICE
---------------	---------	--------------	------------	------------

Model GB Gasket Kits (2 GB Gaskets per Kit)

0881425	GB-A	3001	1/2"	\$15.25
0881425	GB-A	3002	1/2"	15.25
0881425	GB-A	3005	1/2"	15.25
0881425	GB-A	3007	1/2"	15.25
0881426	GB-B	3001	3/4"	17.00
0881426	GB-B	3005	3/4"	17.00
0881426	GB-B	3003	1/2"	17.00
0881426	GB-B	3004	1/2"	17.00
0881426	GB-B	3006	1/2"	17.00
0881426	GB-B	3007	3/4"	17.00
0881426	GB-B	3008	1/2"	17.00
0881427	GB-C	3001	1"	21.00
0881427	GB-C	3002	1"	21.00
0881428	GB-D	3001	1 1/4"	27.25
0881429	GB-E	3001	1 1/2"	32.50
0881430	GB-F	3001	2"	50.25
0881431	GB-G	3002	3/4"	17.00
0881432	GB-H	3003	3/4"	17.00
0881432	GB-H	3004	3/4"	17.00
0881432	GB-H	3006	3/4"	17.00
0881432	GB-H	3008	3/4"	17.00
0881433	GB-J	3003	1"	21.00
0881433	GB-J	3004	1"	21.00
0881433	GB-J	3006	1"	21.00
0881433	GB-J	3008	1"	21.00
0881434	GB-K	3003	1 1/4"	27.25
0881434	GB-K	3004	1 1/4"	27.25
0881434	GB-K	3006	1 1/4"	27.25
0881435	GB-L	3003	1 1/2"	32.50
0881435	GB-L	3004	1 1/2"	32.50
0881435	GB-L	3006	1 1/2"	32.50
0881436	GB-M	3003	2"	50.25
0881436	GB-M	3004	2"	50.25
0881436	GB-M	3006	2"	50.25
0881437	GB-N	3100	2"	48.00
0881437	GB-N	3200	2"	48.00
0881439	GB-P	3100	2 1/2"	56.25
0881439	GB-P	3200	2 1/2"	56.25
0881442	GB-Q	3100	3"	58.75
0881442	GB-Q	3200	3"	58.75
0881441	GB-R	3100	4"	92.00
0881441	GB-R	3200	4"	92.00

GB Gasket - Optional

For use with steam to 300°F.

ORDERING CODE	KIT NO.	VALVE SERIES	SIZE (IN.)	LIST PRICE
---------------	---------	--------------	------------	------------

Insulator Kits (2 Insulators per Kit)

0881450	INK-A	3001	1/2"	\$8.00
0881450	INK-A	3002	1/2"	8.00
0881450	INK-A	3002	3/4"	8.00
0881450	INK-A	3005	1/2"	8.00
0881450	INK-A	3007	1/2"	8.00
0881451	INK-B	3001	3/4"	8.00
0881451	INK-B	3005	3/4"	8.00
0881451	INK-B	3003	1/2"	8.00
0881451	INK-B	3004	1/2"	8.00
0881451	INK-B	3006	1/2"	8.00
0881451	INK-B	3007	3/4"	8.00
0881451	INK-B	3008	1/2"	8.00
0881452	INK-C	3001	1"	9.75
0881452	INK-C	3002	1"	9.75
0881452	INK-C	3003	3/4"	9.75
0881452	INK-C	3004	3/4"	9.75
0881452	INK-C	3006	3/4"	9.75
0881452	INK-C	3008	3/4"	9.75
0881453	INK-D	3003	1"	9.75
0881453	INK-D	3004	1"	9.75
0881453	INK-D	3001	1 1/4"	9.75
0881453	INK-D	3008	1"	9.75
0881454	INK-E	3001	1 1/2"	11.00
0881455	INK-F	3003	1 1/2"	12.25
0881455	INK-F	3004	1 1/2"	12.25
0881455	INK-F	3006	1 1/2"	12.25
0881455	INK-F	3001	2"	12.25
0881456	INK-G	3003	1 1/4"	11.00
0881456	INK-G	3004	1 1/4"	11.00
0881456	INK-G	3006	1 1/4"	11.00
0881457	INK-H	3003	2"	12.25
0881457	INK-H	3004	2"	12.25
0881457	INK-H	3006	2"	12.25

Flanged Dielectric (8 Insulators per Kit)

0889170	INK-J	3100	2"	\$52.25
0889170	INK-J	3100	2 1/2"	52.25
0889170	INK-J	3100	3"	52.25
0889170	INK-J	3100	4"	52.25
0889170	INK-J	3200	2"	52.25
0889170	INK-J	3200	2 1/2"	52.25
0889170	INK-J	3200	3"	52.25
0889170	INK-J	3200	4"	52.25

Series G, GH, MGH, MG, HG and T Thermostatic Trap Parts

PART DESCRIPTION	WHERE USED	LETTER OR NO. STAMPED ON SEAT	ORDERING CODE	REFERENCE NUMBER	DRAWING NUMBER	UPC	QTY. PER MASTER CARTON	MASTER CARTON WGT./LBS.	LIST PRICE EACH
Diaphragm	2G, 3G		0036849	858126	6P-177	098268399035	3	2.0	509.50
Cover	1MG, 3MGH		0036851	858142	6P-227	098268399059	6	2.4	188.50
Diaphragm	1G, 3GH		0036853	858167	6SA-125	098268399073	12	1.2	242.50
	1MG, OHG, 3MGH		0036856	858191	6SA-228	098268399103	12	1.2	325.00
Diaphragm	1G, 1MG, 3GH, 3MGH		0036859	858225	6P-124	098268399134	12	1.3	50.50
Seat	3G, 3MG, 5MGH		0036861	858241	6P-179	098268399158	6	0.9	95.00

Tailpieces and Union Nuts

Tail Piece	1G, 1MG		0036863	858274	6P-120	098268399172	6	1.2	\$83.75
Male Thread	Series 65A 1/2" Series 4000/6000 1/2"								
	2G, 2MG, 1T, 2T		0036864	858282	6P-308	098268399189	6	1.8	226.00
Union Nuts	2G, 2MG, 1T, 2T		0036868	858357	6P-309	098268399226	6	3.1	243.00

Series G, GF, MG & MGF Float & Thermostatic Trap Parts

PART DESCRIPTION	WHERE USED	LETTER OR NO. STAMPED ON SEAT	ORDERING CODE	REFERENCE NUMBER	DRAWING NUMBER	UPC	QTY. PER MASTER CARTON	MASTER CARTON WGT./LBS.	LIST PRICE EACH
Diaphragm	All Sizes		0036851	858142	6P-227	098268399059	6	2.4	188.50
Cover "MG"	Series MG								
Diaphragm	All Sizes		0036853	858167	6AS-125	098268399073	12	1.2	242.50
Series G	Series G								
Diaphragm	All Sizes		0036856	858191	6AS-228	098268399103	12	1.2	325.00
Series MG	Series MG								
Diaphragm	All Sizes		0036859	858225	6P-124	098268399134	12	1.3	50.50
Seat	Series G & MG								
Cover	#9-1 1/2"		0036886	859090	6P-490	098268400571	12	0.6	110.50
Gaskets	#101-2"		0036886	859090	6P-490	098268400571	12	0.6	110.50
Float	#91-1 1/2"		0036890	859371	6SA-466	098268400618	6	1.8	2,223.00
Assembly									

F & T Internal Rebuild Kits*

Series & Maximum Pressure

Series G	#6G-3/4"		0036909	859629	6A-2641	098268400809	4	3.3	888.00
15 PSIG									

*If Rebuild Kits are required for 30 or 50 psig, contact factory for EDP number.

Valve Seat and Gasket Kit Ordering Codes for Series G, GF, MG and MGF F & T Traps

SERIES & MAXIMUM PRESSURE	TRAP NUMBER	LETTER OR NO. STAMPED ON SEAT	ORDERING CODE	REFERENCE NUMBER*	DRAWING NUMBER*	UPC	QTY. PER MASTER CARTON	MASTER CARTON WGT./LBS.	LIST PRICE EACH
Series G-GF	#101-2"	101-15	0036897	859447	6P-498	098268400687	6	1.2	291.50
15 PSIG	#111-2"	111-15	0036898	859454	6P-596	098268400694	6	1.2	612.00

*Reference and drawing number match-up with Valve Seat, not Seat Gasket.

