

# Engineering Specification

Job Name \_\_\_\_\_  
 Job Location \_\_\_\_\_  
 Engineer \_\_\_\_\_  
 Approval \_\_\_\_\_

Contractor \_\_\_\_\_  
 Approval \_\_\_\_\_  
 Contractor's P.O. No. \_\_\_\_\_  
 Representative \_\_\_\_\_

## RD-300-CP15-85 IRMA Roof Drain with 15" x 15" Promenade Top Specification

Watts RD-300-CP15-85 epoxy coated cast iron IRMA roof drain with flashing flange with seepage openings, 15 5/8" x 15 5/8" square epoxy coated ductile iron heel proof promenade top, and no hub (standard) outlet.

Call customer service if you need assistance with technical details.



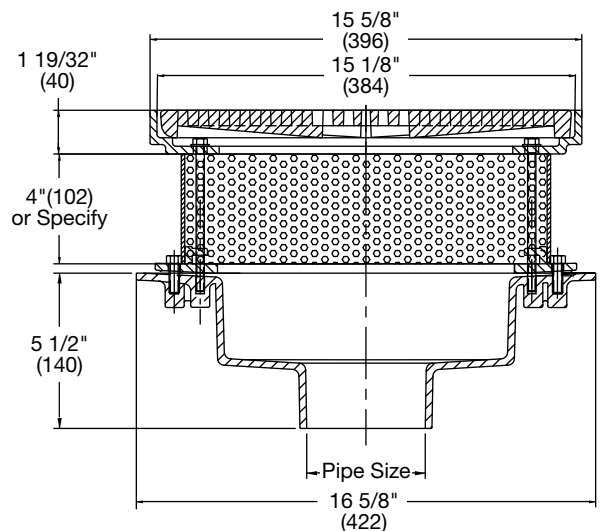
Pipe Sizing		
Suffix	Description	
2	2"(51) Pipe Size (NH Only)	<input type="checkbox"/>
3	3"(76) Pipe Size	<input type="checkbox"/>
4	4"(102) Pipe Size	<input type="checkbox"/>
5	5"(127) Pipe Size (NH Only)	<input type="checkbox"/>
6	6"(152) Pipe Size	<input type="checkbox"/>
8	8"(203) Pipe Size	<input type="checkbox"/>
10	10"(254) Pipe Size (NH Only)	<input type="checkbox"/>

Outlet Type		
Suffix	Description	
NH	No Hub (MJ)	<input type="checkbox"/>
P	Push On	<input type="checkbox"/>
X	Inside Caulk	<input type="checkbox"/>

Load Rating	Free Area Sq. In.
MD	57

Options		
Suffix	Description	
-1	All Nickel Bronze Top	<input type="checkbox"/>
-6	Vandal Proof Top	<input type="checkbox"/>
-9	Hinged Grate	<input type="checkbox"/>
-13	Galvanized	<input type="checkbox"/>
-B	Sump Receiver	<input type="checkbox"/>
-D	Underdeck Clamp	<input type="checkbox"/>
-F	Deck Flange/Adj. Extension	<input type="checkbox"/>

**Deck Opening: 14 1/2"(368)  
 with Sump Receiver 18"(457)**



### NOTICE

The information contained herein is not intended to replace the full product installation and safety information available or the experience of a trained product installer. You are required to thoroughly read all installation instructions and product safety information before beginning the installation of this product.

### NOTICE

The load classifications are in accordance with the American National Standards ASME A112.6.3 ASME Ratings are as follows:  
 MD - Safe Live Load 5000-7499 lbs. (2268-3401 kg)  
 The above categories are given as a guide only. Please consult factory.

Watts product specifications in U.S. customary units and metric are approximate and are provided for reference only. For precise measurements, please contact Watts Technical Service. Watts reserves the right to change or modify product design, construction, specifications, or materials without prior notice and without incurring any obligation to make such changes and modifications on Watts products previously or subsequently sold.



**USA:** T: (800) 338-2581 • Watts.com  
**Canada:** T: (888) 208-8927 • Watts.ca  
**Latin America:** T: (52) 55-4122-0138 • Watts.com

ES-WD-RD-300-CP15-85 2453

