

Controls and Accessories

**LEAD FREE\***

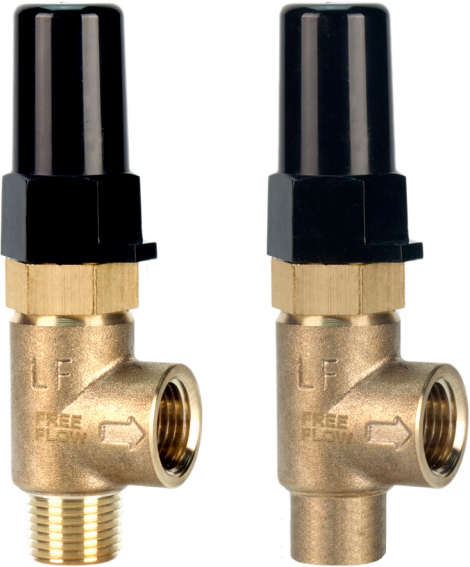
**Model LFFC**

**Flow Control**

Size: Standard Flow - 1/2" MNPT x 3/8" FNPT

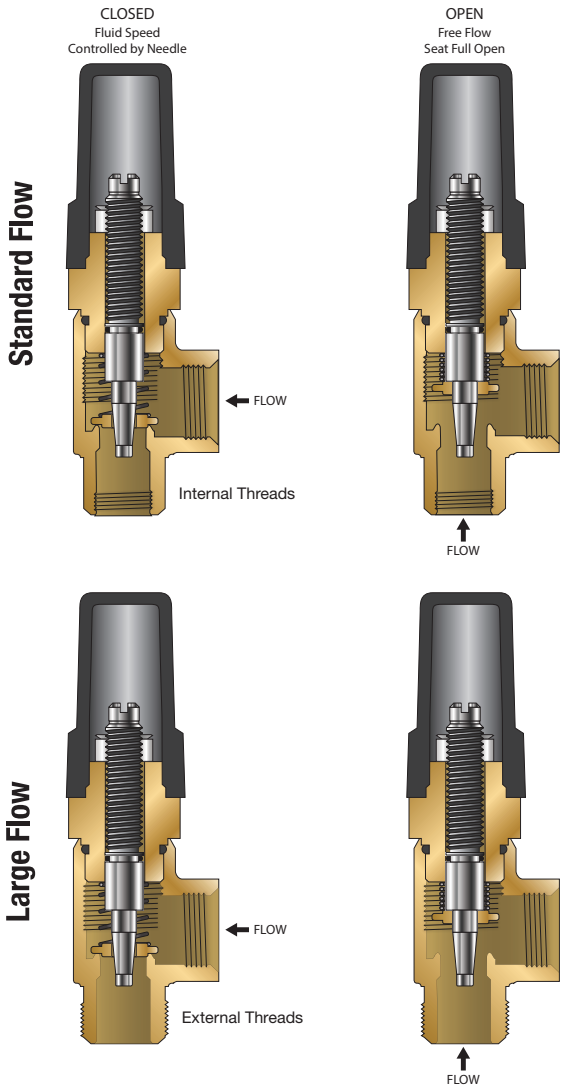
High Flow - 1/2" MxF NPT

A Flow Control is an adjustable device used for tuning valve performance. It can be installed to either control the opening or closing the speed of the automatic control main valve. When the flow is in the direction of the needle the flow control is an adjustable restriction. In the free flow direction the seat moves out of the flow path to all unrestricted flow.



Large Flow Control

Standard Flow Control



**Specifications**

- Size:** Standard Flow - 1/2" MNPT x 3/8" FNPT  
High Flow - 1/2" MxF NPT
- Body Material:** Lead Free Brass  
Stainless Steel (optional)
- Seat:** Lead Free Brass
- Needle:** Stainless Steel (304)
- Elastomers:** Buna-N (standard)

\*The wetted surface of this product contacted by consumable water contains less than 0.25% of lead by weight.

**NOTICE**

The information contained herein is not intended to replace the full product installation and safety information available or the experience of a trained product installer. You are required to thoroughly read all installation instructions and product safety information before beginning the installation of this product.

Watts product specifications in U.S. customary units and metric are approximate and are provided for reference only. For precise measurements, please contact Watts Technical Service. Watts reserves the right to change or modify product design, construction, specifications, or materials without prior notice and without incurring any obligation to make such changes and modifications on Watts products previously or subsequently sold.



USA: T: (978) 689-6066 • F: (978) 975-8350 • Watts.com  
Canada: T: (888) 208-8927 • F: (905) 332-7068 • Watts.ca  
Latin America: T: (52) 55-4122-0138 • Watts.com