

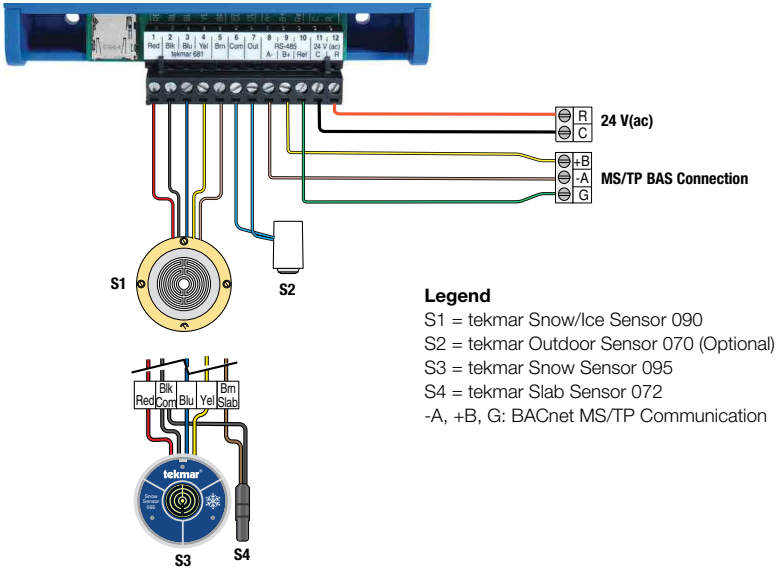
Applications

BACnet Snow/Ice Sensor Interface 681



Application	Page
BACnet Snow/Ice Sensor Interface 681 - Electrical Schematic	2
681 and a BAS with a Dedicated Boiler	2
681 and a BAS with a Dedicated Boiler and Mixing Valve	3
681 and a BAS with a Shared Boiler and Heat Exchanger	4
681 and a BAS with a Shared Boiler and Mixing Valve	5
681 and a BAS with a Shared Boiler and Injection Mixing	6
681 and a BAS with a Modulating Steam Valve	7
681 and a BAS with a Multiple Zones, Boiler Plant, and Mixing Valve	8-9
681 and a BAS with a Electric Cable	10

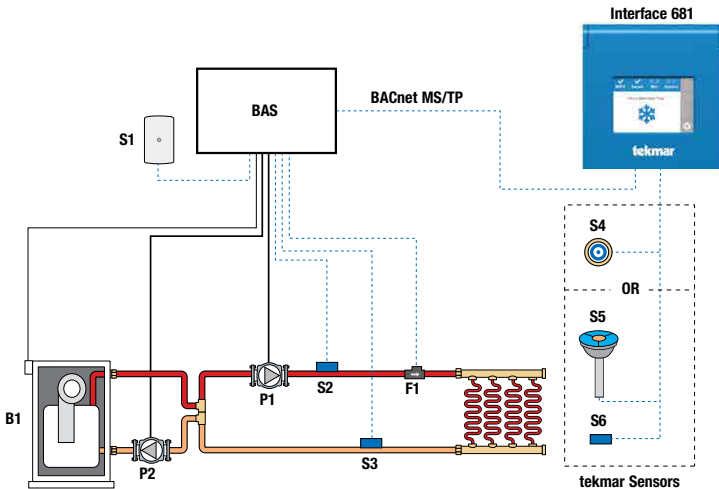
BACnet Snow/Ice Sensor Interface 681 - Electrical Schematic



681 and a BAS with a Dedicated Boiler

Legend

- B1 = Boiler
- S1 = BAS Outdoor Sensor
- P1 = Primary Pump
- P2 = Boiler Pump
- S2 = BAS Boiler Supply Sensor
- S3 = BAS Boiler Return Sensor
- S4 = tekmar Snow/Ice Sensor 090
- S5 = tekmar Snow Sensor 095
- S6 = tekmar Slab Sensor 072
- F1 = BAS Flow Sensor



681 and a BAS and with a Dedicated Boiler and Mixing Valve

Legend

B1 = Modulating Boiler

P1 = Primary Pump

P2 = System Pump

V1 = Mixing Valve

M1 = Actuating Motor

S1 = BAS Outdoor Sensor

S2 = BAS Boiler Supply Sensor

S3 = BAS Boiler Return Sensor

S4 = BAS System Return Sensor

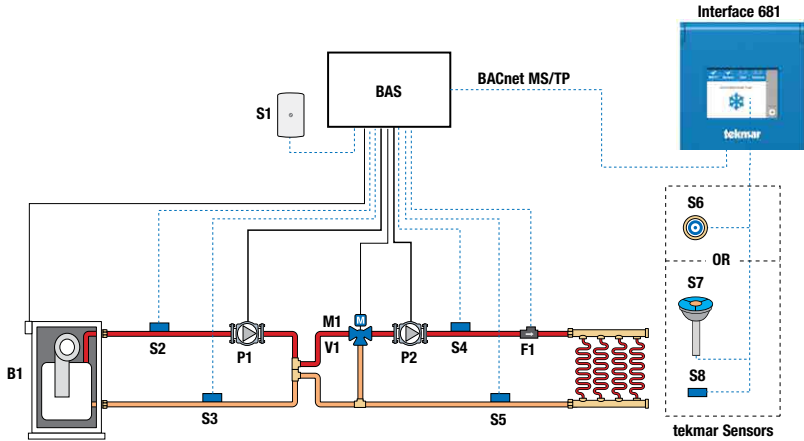
S5 = BAS System Return Sensor

S6 = tekmar Snow/Ice Sensor 090

S7 = tekmar Snow Sensor 095

S8 = tekmar Slab Sensor 072

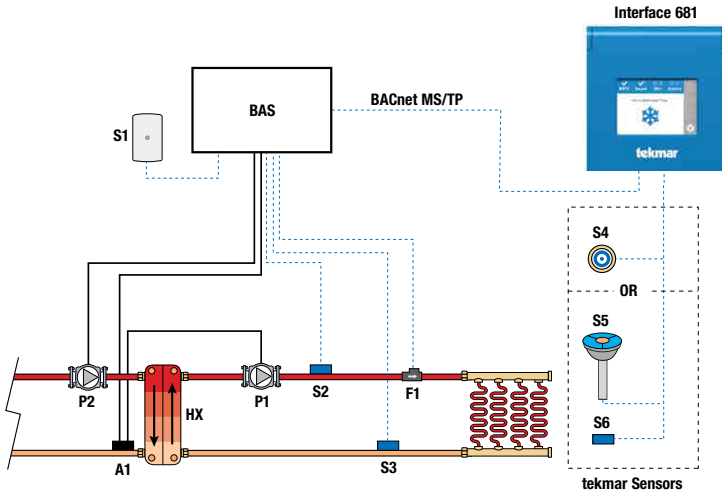
F1 = Flow Sensor



681 and a BAS with a Shared Boiler and Heat Exchanger

Legend

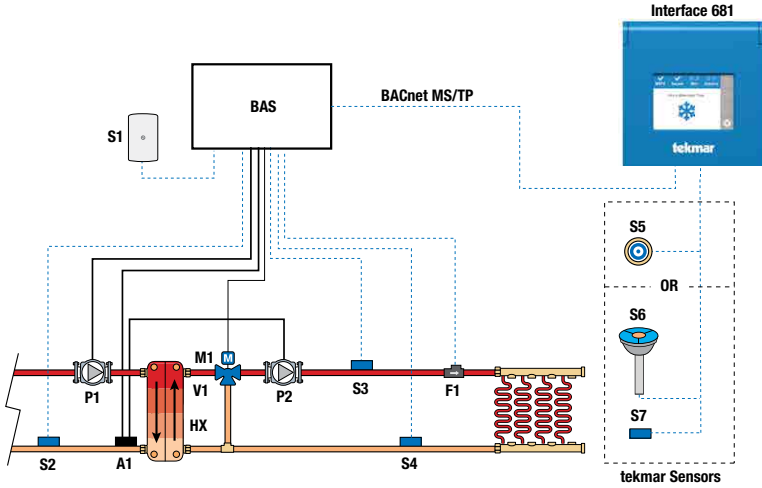
- A1 = Freeze Protection Aquastat
- HX = Heat Exchanger
- P1 = System Pump
- P2 = On/Off Injection Pump
- S1 = BAS Outdoor Sensor
- S2 = BAS System Supply Sensor
- S3 = BAS System Return Sensor
- S4 = tekmar Snow/Ice Sensor 090
- S5 = tekmar Snow Sensor 095
- S6 = tekmar Slab Sensor 072
- F1 = BAS Flow Sensor



681 and a BAS with a Shared Boiler and Mixing Valve

Legend

A1 = Freeze Protection Aquastat	S2 = BAS Boiler Return Sensor
HX = Heat Exchanger	S3 = BAS System Supply Sensor
V1 = Mixing Valve	S4 = BAS System Return Sensor
M1 = Actuating Motor	S5 = tekmar Snow/Ice Sensor 090
P1 = Primary Pump	S6 = tekmar Snow Sensor 095
P2 = System Pump	S7 = tekmar Slab Sensor 072
S1 = BAS Outdoor Sensor	F1 = BAS Flow Sensor

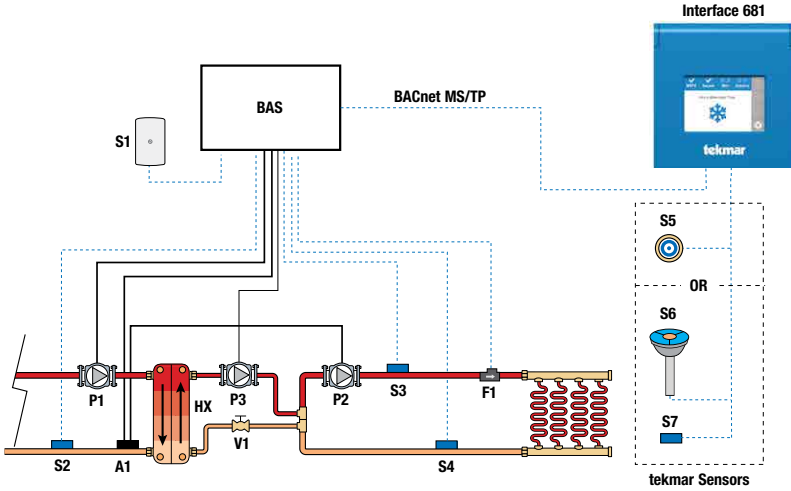


681 and a BAS with a Shared Boiler and Injection Mixing

Legend

A1 = Freeze Protection Aquastat
 HX = Heat Exchanger
 P1 = Primary Pump
 P2 = System Pump
 P3 = Variable Speed Injection Mixing Pump
 S1 = BAS Outdoor Sensor
 S2 = BAS Boiler Return Sensor

S3 = BAS System Supply Sensor
 S4 = BAS System Return Sensor
 S5 = tekmar Snow/Ice Sensor 090
 S6 = tekmar Snow Sensor 095
 S7 = tekmar Slab Sensor 072
 V1 = Glove Valve
 F1 = BAS Flow Sensor



681 and a BAS with a Modulating Steam Valve

Legend

HX = Heat Exchanger

P1 = Primary Pump

S1 = BAS Outdoor Sensor

S2 = BAS System Supply Sensor

S3 = BAS System Return Sensor

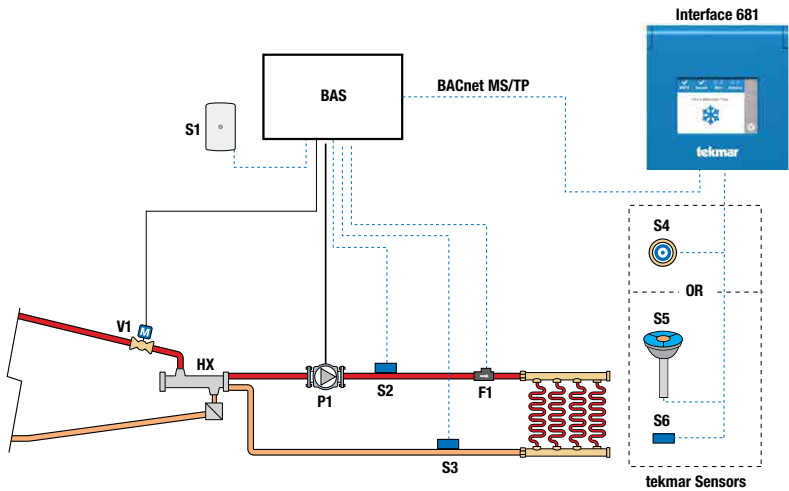
S4 = tekmar Snow/Ice Sensor 090

S5 = tekmar Snow Sensor 095

S6 = tekmar Slab Sensor 072

V1 = Modulation Steam Valve

F1 = BAS Flow Sensor



681 and a BAS with a Multi Zone, Boiler Plant, and Mixing Valve

Legend

B1 to B3 = Modulating Boiler

P1 to P3 = Boiler Pump

P4 = Primary Pump

S2 = Boiler Supply Sensor

S1 = BAS Outdoor Sensor

M1, M2 = Actuator Motor

P5, P6 = System Pump

S3, S9 = BAS System Supply Sensor

S4, S10 = BAS System Return Sensor

S5, S11 = BAS Boiler Return Sensor

S6, S12 = tekmar Snow/Ice Sensor 090

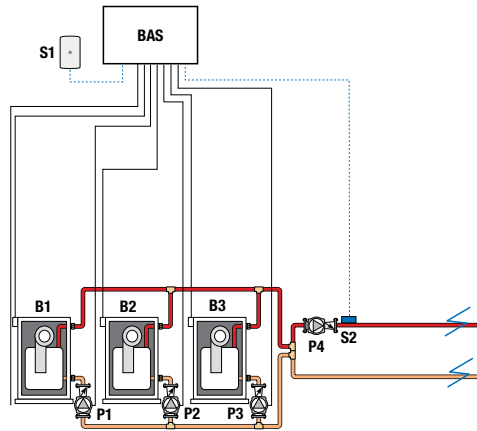
S7, S13 = tekmar Snow Sensor 095

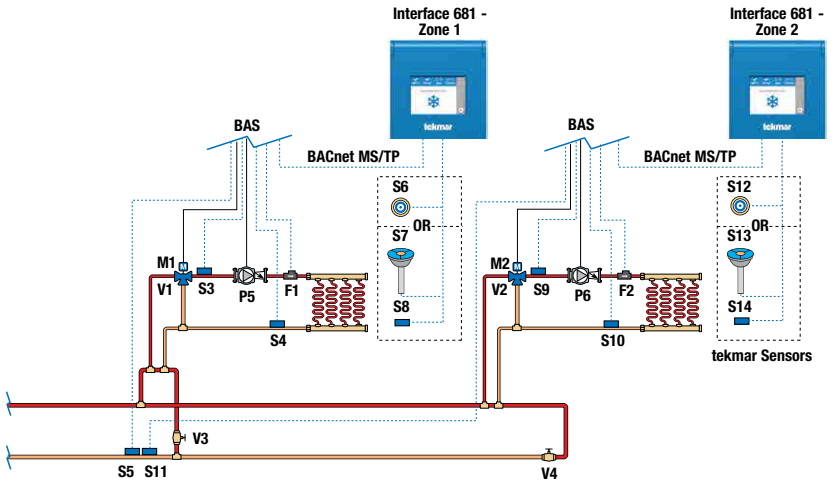
S8, S14 = tekmar Slab Sensor 072

V1, V2 = Mixing Valve

V3, V4 = Balancing Valve

F1, F2 = BAS Flow Sensor

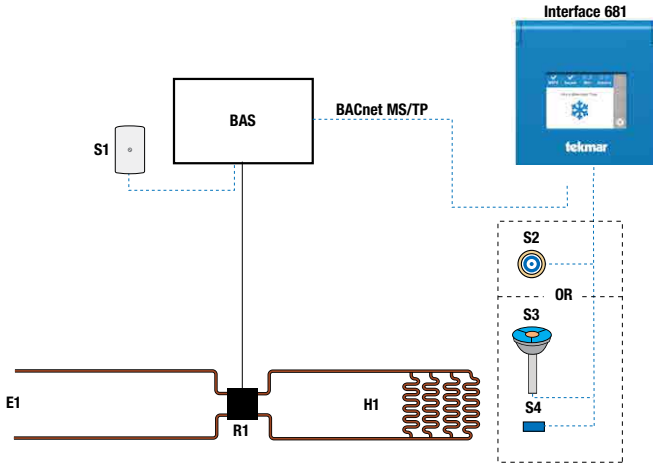




681 and a BAS with a Electric Cable

Legend

- E1 = Electric Power Supply
- H1 = Electric Heating Cable
- R1 = Electric Relay Contactor
- S1 = BAS Outdoor Sensor
- S2 = tekmar Snow/Ice Sensor 090
- S3 = tekmar Snow Sensor 095
- S4 = tekmar Slab Sensor 072





All specifications are subject to change without notice

Tel: 1-800-438-3903 • Fax: (250) 984-0815
tekmarControls.com