

Engineering Specification

Job Name _____ Contractor _____

Job Location _____ Approval _____

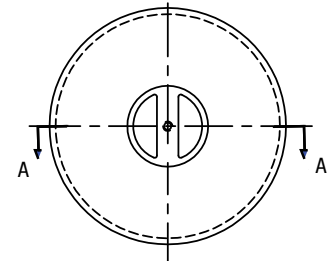
Engineer _____ Contractor's P.O. No. _____

Approval _____ Representative _____

FD-Funnels Bolt-On Funnels

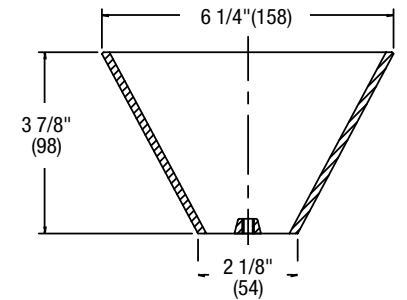
Specification

Watts FD-Funnels epoxy coated cast iron, nickel bronze or stainless steel bolt-on funnels.

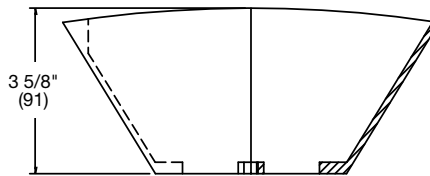
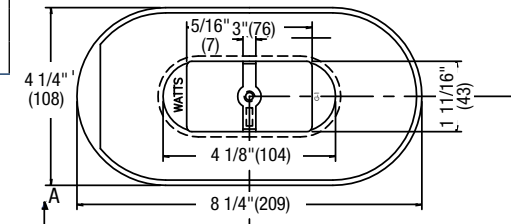
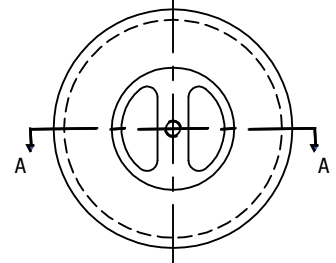


Call customer service if you need assistance with technical details.

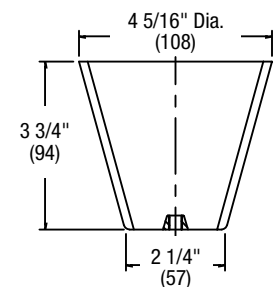
Model No.	Size	Material	
-F4-50	4"(102) Round	Cast Iron	<input type="checkbox"/>
-F4-1	4"(102) Round	Nickel Bronze	<input type="checkbox"/>
-F4-3	4"(102) Round	Stainless Steel	<input type="checkbox"/>
-F6-1	6"(152) Round	Nickel Bronze	<input type="checkbox"/>
-G-50	4" x 9"(102x229) Oval	Cast Iron	<input type="checkbox"/>
-G-1	4" x 9"(102x229) Oval	Nickel Bronze	<input type="checkbox"/>
-G-3	4" x 9"(102x229) Oval	Stainless Steel	<input type="checkbox"/>



F6 Funnel



G Funnel



F4 Funnel

NOTICE

The information contained herein is not intended to replace the full product installation and safety information available or the experience of a trained product installer. You are required to thoroughly read all installation instructions and product safety information before beginning the installation of this product.

Watts product specifications in U.S. customary units and metric are approximate and are provided for reference only. For precise measurements, please contact Watts Technical Service. Watts reserves the right to change or modify product design, construction, specifications, or materials without prior notice and without incurring any obligation to make such changes and modifications on Watts products previously or subsequently sold.

