

# Engineering Specification

Job Name \_\_\_\_\_  
 Job Location \_\_\_\_\_  
 Engineer \_\_\_\_\_  
 Approval \_\_\_\_\_

Contractor \_\_\_\_\_  
 Approval \_\_\_\_\_  
 Contractor's P.O. No. \_\_\_\_\_  
 Representative \_\_\_\_\_

## FD-820 Flushing Rim Floor Drain

### Specification

Watts FD-820 flushing rim floor drain with white epoxy coated cast iron body, 9 3/8" diameter heel proof nickel bronze top with hinged grate, 3/4" flushing connection, and no hub (standard) outlet.



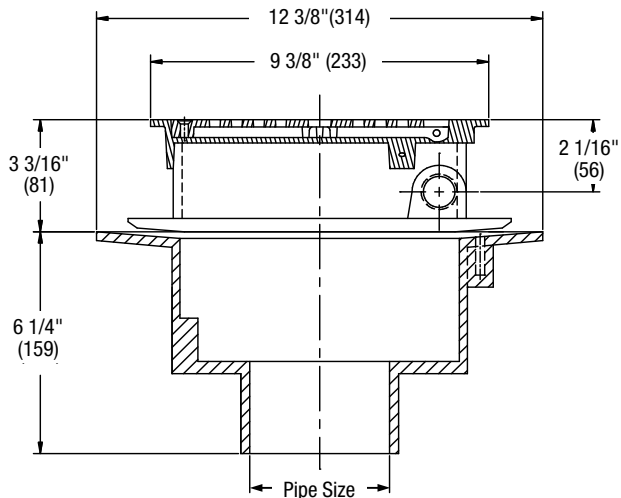
Call customer service if you need assistance with technical details.

Pipe Sizing		
Suffix	Description	
2	2"(51) Pipe Size	<input type="checkbox"/>
3	3"(76) Pipe Size	<input type="checkbox"/>
4	4"(102) Pipe Size	<input type="checkbox"/>

Outlet Type		
Suffix	Description	
NH	No Hub (MJ)	<input type="checkbox"/>
P	Push On	<input type="checkbox"/>
T	Threaded Outlet	<input type="checkbox"/>
X	Inside Caulk	<input type="checkbox"/>

Options		
Suffix	Description	
-6	Vandal Proof	<input type="checkbox"/>

Load Rating	Free Area Sq. In.
MD	18



### NOTICE

The load classifications are in accordance with the American National Standard ASME A112.21.1M ASME Ratings are as follows:  
 MD Safe Live Load 2000-4999 lbs. (900-2250 kg)  
 The above categories are given as a guide only. Please consult factory.

### NOTICE

The information contained herein is not intended to replace the full product installation and safety information available or the experience of a trained product installer. You are required to thoroughly read all installation instructions and product safety information before beginning the installation of this product.

Watts product specifications in U.S. customary units and metric are approximate and are provided for reference only. For precise measurements, please contact Watts Technical Service. Watts reserves the right to change or modify product design, construction, specifications, or materials without prior notice and without incurring any obligation to make such changes and modifications on Watts products previously or subsequently sold.



**USA:** T: (800) 338-2581 • Watts.com  
**Canada:** T: (888) 208-8927 • Watts.ca  
**Latin America:** T: (52) 55-4122-0138 • Watts.com  
 ES-WD-FD-820 2432

