

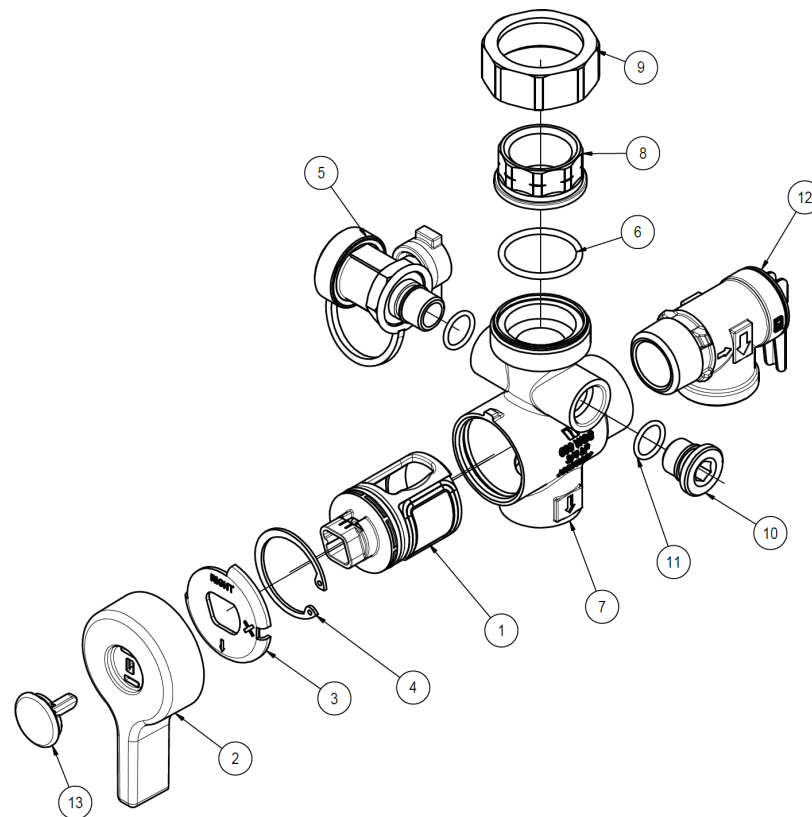
ITEM #	PART #	DESCRIPTION	REPAIR KIT	REPAIR KIT EDP#	O-RING STANDARD SIZES
1	SA-TWHG2BB6	VALVE ROTOR ASM	RK-TWHG2-ROTOR KIT	0120086	INCLUDES 2-122
2	TWHG2BB54	HANDLE	RK-TWHG2-HANDLE KIT	0120080	
3	TWHG2(BA,BB,BC)57	HANDLE STOP-RIGHT, LEFT, COLD	RK-TWHG2-STOP PLATE KIT	0120087	
4	TWHG2BA47	RETAINING RING	RK-TWHG2-ROTOR KIT	0120086	
5	SA-0.375-LFPVH-HOT-TWH	3/8" PURGE VALVE	RK-TWHG2-DRAIN VALVE KIT	0120090	
6	6010BB101	O-RING	RK-TWHG2-UNION O-RING KIT	0120088	2-121
7	LFTWHG2BA1-2A-FT	BODY			
8	135BB139-LL-ECO	UNION TAILPIECE			
9	35BB140	UNION NUT			
10	TWHG2BB103	PLUG	RK-TWHG2-DRAIN PORT PLUG KIT	0120089	
11	606A102	O-RING	RK-TWHG2-DRAIN PORT PLUG KIT	0120089	2-014
12	0.75 LF4L-150-TWH	3/4" LF4L-150-TWH			
13	TWHG2(BB-BM)47	LOCKING PLUG RED/BLUE	RK-TWHG2-HANDLE KIT	0120080	

Series LFTWHG2

Tankless Water Heater Service Valve

Sizes: 3/4"

Product diagram and parts list provided with repair kit to assist in identifying components for repair.



Limited Warranty: Watts (the "Company") warrants each product to be free from defects in material and workmanship under normal usage for a period of one year from the date of original shipment. In the event of such defects within the warranty period, the Company will, at its option, replace or recondition the product without charge.

THE WARRANTY SET FORTH HEREIN IS GIVEN EXPRESSLY AND IS THE ONLY WARRANTY GIVEN BY THE COMPANY WITH RESPECT TO THE PRODUCT. THE COMPANY MAKES NO OTHER WARRANTIES, EXPRESS OR IMPLIED. THE COMPANY HEREBY SPECIFICALLY DISCLAIMS ALL OTHER WARRANTIES, EXPRESS OR IMPLIED, INCLUDING BUT NOT LIMITED TO THE IMPLIED WARRANTIES OF MERCHANTABILITY AND FITNESS FOR A PARTICULAR PURPOSE.

The remedy described in the first paragraph of this warranty shall constitute the sole and exclusive remedy for breach of warranty, and the Company shall not be responsible for any incidental, special or consequential damages, including without limitation, lost profits or the cost of repairing or replacing other property which is damaged if this product does not work properly, other costs resulting from labor charges, delays, vandalism, negligence, fouling caused by foreign material, damage from adverse water conditions, chemical, or any other circumstances over which the Company has no control. This warranty shall be invalidated by any abuse, misuse, misapplication, improper installation or improper maintenance or alteration of the product.

Some States do not allow limitations on how long an implied warranty lasts, and some States do not allow the exclusion or limitation of incidental or consequential damages. Therefore the above limitations may not apply to you. This Limited Warranty gives you specific legal rights, and you may have other rights that vary from State to State. You should consult applicable state laws to determine your rights. **SO FAR AS IS CONSISTENT WITH APPLICABLE STATE LAW, ANY IMPLIED WARRANTIES THAT MAY NOT BE DISCLAIMED, INCLUDING THE IMPLIED WARRANTIES OF MERCHANTABILITY AND FITNESS FOR A PARTICULAR PURPOSE, ARE LIMITED IN DURATION TO ONE YEAR FROM THE DATE OF ORIGINAL SHIPMENT.**



USA: T: (978) 689-6066 • F: (978) 975-8350 • Watts.com

Canada: T: (888) 208-8927 • F: (905) 332-7068 • Watts.ca

Latin America: T: (52) 55-4122-0138 • Watts.com

