

For Commercial Applications

Job Name _____

Contractor _____

Job Location _____

Approval _____

Engineer _____

Contractor's P.O. No. _____

Approval _____

Representative _____

Series AMZ

Commercial Micro Z™ Filter Systems

Connection Sizes: 1" to 3" (25 - 80 mm)

Flow Rates: Up to 251 gpm (950 lpm)

Watts Series AMZ Micro Z™ filters are highly effective backwashing media filtration systems for the removal of sediment and suspended solids from water.

These systems are designed for commercial applications with flow rates up to 251 gpm (950 lpm) with media bed sizes ranging from 1 to 40 cubic feet in size. If higher flow rates are required, multiple units can be installed in parallel. The media bed is cleaned of captured sediment by periodic backwashing and flushing. This cleaning cycle is time clock demand initiated and can be programmed to occur at any time that is convenient for the user. All steps of the cleaning cycle as well as returning to service are fully automatic and do not require manual actuation.

Series AMZ sediment filters are designed for point of use or point of entry applications where filtered water is required. Micro Z™ is a naturally occurring form of zeolite that offers superior filtration characteristics over and above sand, anthracite and garnet products currently in use today. The key to Micro Z™'s performance is its hydrophilic properties combined with a jagged external surface texture. This gives Micro Z™ a sediment holding capacity of 2.8 times that of sand, which reduces backwash waste water volumes and provides higher service flow rates which reduces over all system size and cost. Micro Z™ has a 3-5 micron nominal particle size removal rating versus 15-30 micron with other conventional back-washable medias.

Municipal water filtration, reverse osmosis pretreatment, micro and ultra filtration system pretreatment, cartridge filtration pretreatment, sediment reduction in city and rural water, as well as general turbidity reduction are all common applications for the Series AMZ Micro Z™ filter systems.

Filtered water is a cleaner supply water for boilers, solenoid valves, pumps, faucets, aerator screens, reverse osmosis systems, micro and ultra filtration systems, pools, aquariums, washing, and rinsing processes that reduces down time and costly repairs.

⚠ WARNING

Do not use with water that is microbiologically unsafe or of unknown quality without adequate disinfection before or after the system.



Series
AMZ 1"

Series
AMZ 1½"

Series
AMZ 2"

Series
AMZ 3"

Features

- NSF/ANSI Certified high capacity Micro Z™ filter media
- WQA Certified fully automatic time clock initiated control valves on 36" diameter systems and below
- Sophisticated digital electronic controls that store operating history that can be accessed by the user
- Fully adjustable backwash and flush cycles
- Durable brass bodied control valves on 36" diameter systems and below for years of service
- High flow 3" diaphragm valve nests on systems 42" in diameter and larger
- Dry contact lock out switch for remote interface is standard
- Highly corrosion resistant WQA or NSF Certified fiberglass tanks
- Durable polypropylene lower distribution system

Standards

Control Valve- WQA Certified to NSF/ANSI Std. 61 and 372 on 36" diameter systems and below
 Micro Z™ Filter Media- Certified to NSF/ANSI Std. 61
 Mineral Tank- Certified to NSF/ANSI Std. 44 or 61

Specifications

A Watts Series AMZ Micro Z™ filter system shall be installed on the building's main water line just after it enters the building. The installation point shall be after any backflow prevention or pressure regulating valves. Other installation options are to install a system just before the plumbing equipment needing the protection of filtered water. In installations where the dedicated cold water make up to a water heater is the installation point, a backflow preventer and a thermal expansion tank must be installed as well. The system shall be installed with a bypass valve to allow for the shut down and removal of the unit without interrupting the water supply to the building. The filter system shall be a backwashing granular media bed type with digital programmable time clock initiated backwash, high-capacity alumino-silicate filter media rated for 3-5 nominal particle size removal, and all components necessary for proper operation. Electrical requirements are 120 volt 60 hertz. A local drain is required to accept drain water from the system. The feed water pressure must not fall below 30psi (207 kPa) or exceed 125psi (8.7 bar). Water temperature must not fall below 34°F or exceed 110°F (1 - 43°C). The system shall provide water that has been filtered to a nominal micron rating of 3-5 micron.

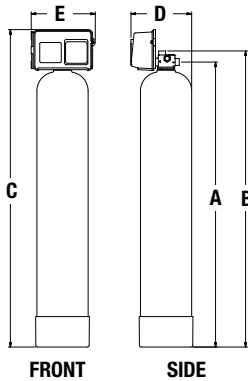
Feed Water Guidelines

pH 6 to 8.5
 Water Pressure 30psi to 125psi
 (207 kPa to 8.7 bar)
 Temperature 34 - 110°F (1 - 43°C)
 Oil and H2S None Allowed

* For all other guideline information please contact your Watts representative.

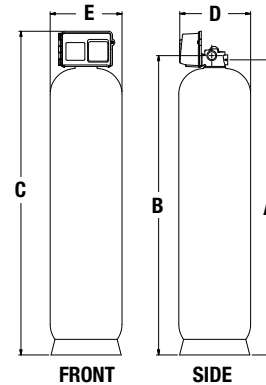
Dimensions - Weights

1" Models



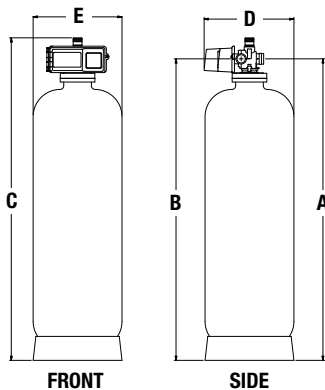
MODEL NO.	DIMENSIONS					WEIGHTS	
	A in. mm	B in. mm	C in. mm	D in. mm	E in. mm	lbs.	kgs
N5245-09-275NT	50½ 1273	52¾ 1330	56½ 1435	11½ 292	12¾ 324	118	54
N5245-10-275NT	56¼ 1429	58⅞ 1484	62¾ 1591	12 305	12¾ 324	147	67
N5245-12-275NT	54¾ 1387	56⅜ 1443	61 1549	13 330	12¾ 324	173	79

1½" Models



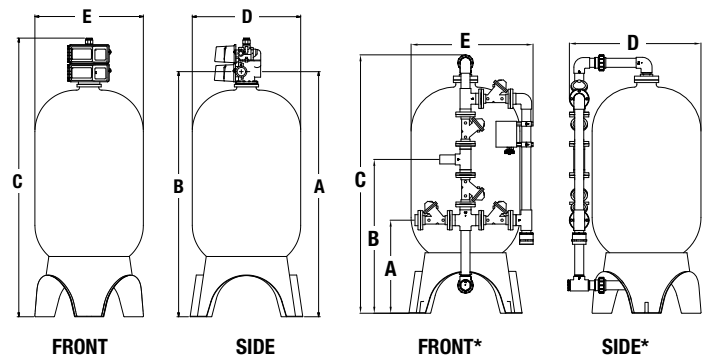
MODEL NO.	DIMENSIONS					WEIGHTS	
	A in. mm	B in. mm	C in. mm	D in. mm	E in. mm	lbs.	kgs
N5245-14-285NT	66⅞ 1699	67⅞ 1724	73¾ 1864	14⅞ 378	14¾ 358	278	366
N5245-16-285NT	66¾ 1686	67¼ 1708	72¾ 1848	15⅞ 405	16¼ 409	667	303
N5245-21-285NT	70 1778	71 1803	76⅞ 1941	21⅞ 536	21¼ 536	1015	461

2" Models



MODEL NO.	DIMENSIONS					WEIGHTS	
	A in. mm	B in. mm	C in. mm	D in. mm	E in. mm	lbs.	kgs
N5245-24-315NT	81⅞ 2079	81⅞ 2079	87½ 2222	24⅞ 620	24¼ 612	1015	461
N5245-30-315NT	83¾ 2118	83¾ 2118	89 2260	30⅞ 765	30⅞ 765	1852	842

3" Models



MODEL NO.	DIMENSIONS					WEIGHTS	
	A in. mm	B in. mm	C in. mm	D in. mm	E in. mm	lbs.	kgs
N5245-36-39NT	87¼ 2216	87¼ 2216	100 2540	36⅞ 917	36⅞ 917	2525	1148
N5245-42-DVN*	59½ 1511	36 915	100 2540	58 1473	48⅞ 1222	2895	1316
N5245-48-DVN*	59½ 1511	36 915	100⅞ 2560	58 1473	51⅞ 1298	3882	1765

Specifications

MODEL NO.	MINERAL TANK			FLOW RATES FOR SERVICE AND BACKWASH			BACKWASH GPM
	TANK SIZE	TANK SIZE FT2	MICRO Z™ FT3	SERVICE GPM			
				10 GPM FT2	15 GPM FT2	20 GPM FT2	
N5245-09-275NT	9" x 48"	.44	1.0	4.4	6.6	8.8	7.0 GPM
N5245-10-275NT	10" x 54"	.54	1.5	5.4	8.1	10.8	7.0 GPM
N5245-12-275NT	12" x 52"	.78	2.0	7.8	11.7	15.6	10 GPM
N5245-14-285NT	14" x 65"	1.07	3.0	10.7	16.0	21.4	20 GPM
N5245-16-285NT	16" x 65"	1.39	4.0	13.9	20.8	27.8	20 GPM
N5245-21-285NT	21" x 62"	2.41	7.0	24.1	36.1	48.2	40 GPM
N5245-24-315NT	24" x 72"	3.14	10	31.4	47.1	62.8	50 GPM
N5245-30-315NT	30" x 72"	4.91	15	49.1	73.6	98.2	85 GPM
N5245-36-39NT	36" x 72"	7.07	20	70.7	106.1	141.4	100 GPM
N5245-42-DVN	42" x 72"	9.62	30	96.2	144.3	192.4	155 GPM
N5245-48-DVN	48" x 72"	12.56	40	125.6	188.4	251.2	200 GPM

Ordering Information

MODEL NO.	DESCRIPTION	PIPE SIZE	SPACE REQUIRED W x D x H	WEIGHT	
				LBS	KGS
N5245-09-275NT	AMZ09F2750NXT 1 Cubic Foot Micro Z™ filter with Auto Backwash	1"	13" x 12" x 60"	118	54
N5245-10-275NT	AMZ10F2750NXT 1.5 Cubic Foot Micro Z™ filter with Auto Backwash	1"	13" x 12" x 65"	147	67
N5245-12-275NT	AMZ12F2750NXT 2 Cubic Foot Micro Z™ filter with Auto Backwash	1"	13" x 14" x 65"	173	79
N5245-14-285NT	AMZ14F2850NXT 3 Cubic Foot Micro Z™ filter with Auto Backwash	1½"	15" x 16" x 75"	278	126
N5245-16-285NT	AMZ16F2850NXT 4 Cubic Foot Micro Z™ filter with Auto Backwash	1½"	17" x 18" x 75"	366	166
N5245-21-285NT	AMZ21F2850NXT 7 Cubic Foot Micro Z™ filter with Auto Backwash	1½"	23" x 24" x 84"	667	303
N5245-24-315NT	AMZ24F3150NXT 10 Cubic Foot Micro Z™ filter with Auto Backwash	2"	27" x 27" x 95"	1015	461
N5245-30-315NT	AMZ30F3150NXT 15 Cubic Foot Micro Z™ filter with Auto Backwash	2"	33" x 33" x 95"	1852	842
N5245-36-39NT	AMZ36F3900NXT 20 Cubic Foot Micro Z™ filter with Auto Backwash	3"	40" x 48" x 114"	2525	1148
N5245-42-DVN	AMZ42FDVN3NXT 30 Cubic Foot Micro Z™ filter with Auto Backwash	3"	46" x 54" x 90"	2895	1316
N5245-48-DVN	AMZ48FDVN3NXT 40 Cubic Foot Micro Z™ filter with Auto Backwash	3"	54" x 60" x 90"	3882	1756

NOTICE

Flow rates, dimensions, and capacities are per tank. Pipe size, tank size, and space requirements are in inches. 20 gpm per square foot flow rates are for intermittent peak flows only and should not be used as continuous flows.

NOTICE

The information contained herein is not intended to replace the full product installation and safety information available or the experience of a trained product installer. You are required to thoroughly read all installation instructions and product safety information before beginning the installation of this product.



USA: T: (800) 659-8400 • F: (800) 659-8402 • Watts.com

Canada: T: (905) 332-4090 • F: (905) 332-7068 • Watts.ca

Latin America: T: (52) 81-1001-8600 • F: (52) 81-8000-7091 • Watts.com