

Engineering Specification

Job Name _____

Contractor _____

Job Location _____

Approval _____

Engineer _____

Contractor's P.O. No. _____

Approval _____

Representative _____

Series LCTA-100 Commercial Water Softening Systems

Connection Size: 1"

Flow Rates: Up to 25 gpm (94 lpm)

Watts Series LCTA-100 water softening systems are highly efficient, twin alternating, conventional cation exchange type water softeners. They are designed to supply continuous softened water without interruption.

Series LCTA-100 water softeners are suitable for commercial applications ranging from 30,000 to 120,000 grains of hardness removal per tank and flow rates up to 25 gallons per minute (94 lpm). Regeneration is meter demand initiated. All cycles of regeneration are fully automatic and do not require manual actuation.

Series LCTA-100 water softeners are designed for point-of-use or point-of-entry applications where the benefits of softened water are required and water demand is round the clock. These systems exchange scale-forming calcium and magnesium ions with non scale-forming sodium ions to create soft water for a variety of applications. Steam boiler make up water, water heater pretreatment, reverse osmosis pretreatment, cooling tower make up water, sterilizer make up water, washing, and process water are all common applications for the Series LCTA-100 water softeners.

Softened water provides a wide variety of benefits such as preventing lime scale formation in pipes, valves, water heating equipment, heat exchangers, and cooling towers to reducing mineral build up in areas that see excessive splashing such as food preparation counters and sink areas. Softened water also conserves soaps and cleaning agents by eliminating the formation of soap curd, so your cleaners can work on cleaning – not reacting with the hardness in your water.

Features

- Durable brass bodied control valve for years of service
- Twin alternating design for continuous softened water
- Fully automatic metered demand control valve certified to NSF/ANSI standards
- Sophisticated digital electronic controls that provide system status and error conditions
- Fully adjustable regeneration cycles
- High capacity resin certified to NSF/ANSI standards
- Highly corrosion resistant fiberglass tanks certified to NSF/ANSI standards
- Durable polypropylene lower distribution system



**Series LCTA-100
Twin Alternating**

Standards

Control Valve- Certified to NSF/ANSI Std. 61 and 372
 Ion Exchange Resin- Certified to NSF/ANSI Std. 61 and 372
 Mineral Tank - Certified to NSF/ANSI Std. 44 or 61

Specifications

A Series LCTA-100 water softening system shall be installed on the building's main water line just after it enters the building. The installation point shall be after any backflow prevention or pressure regulating valves. Other installation options are to install a system just before the water heater or other types of equipment needing the protection of softened water. In installations where the dedicated cold water make up to a water heater is the installation point, a backflow preventer and a thermal expansion tank must be installed as well. The system shall be installed with a bypass valve to allow for the shut down and removal of the unit without interrupting the water supply to the building.

The water softener shall be a down flow regenerated, metered demand, sodium cycle cation exchange type system with all components necessary for proper operation. Electrical requirements are 120 volt 60 hertz. A local drain is required to accept drain water from the system. The feed water pressure must not fall below 25psi or exceed 125psi. Water temperature must not fall below 34°F or exceed 110°F (1°C to 43°C).

The system shall provide softened water measuring less than one grain per gallon of hardness as Calcium Carbonate when operated within the manufacturer's operational specifications.

Feed Water Guidelines

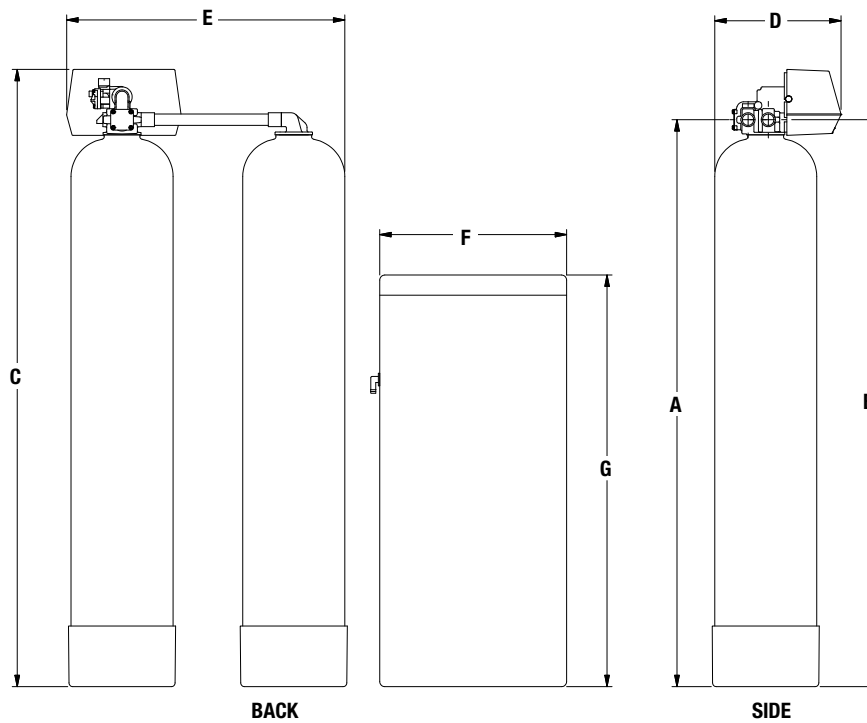
pH	6 to 10
Hardness (maximum)	Depends on customer's acceptable hardness leakage level.
Water Pressure	25psi to 125psi (171 kPa to 8.5 bar)
Temperature	34 - 110°F (1 - 43°C)
Free Chlorine (maximum)	1mg/L
Iron (maximum)	1mg/L
Oil and H ₂ S	None Allowed
Turbidity	Less than 5.0 NTU
Total Dissolved Solids	Must be below 750mg/l for the softener to produce less than 1 grain per gallon soft water.

⚠ WARNING

Do not use with water that is microbiologically unsafe or of unknown quality without adequate disinfection before or after the system.

For all other guideline information please contact your Watts representative.

Dimensions - Weights



MODEL NO.	DIMENSIONS										WEIGHTS					
	A		B		C		D		E		F		G		lbs.	kgs.
	in.	mm	in.	mm	in.	mm	in.	mm	in.	mm	in.	mm	in.	mm		
M2058B-SE	50	1270	50	1270	55	1397	12	305	27 ³ / ₈	695	18	457	40	1016	230	105
M2059B-SE	56 ¹ / ₈	1425	56 ¹ / ₈	1425	61 ¹ / ₈	1552	12 ¹ / ₂	318	27 ⁷ / ₈	708	18	457	40	1016	290	132
M2060B-SE	54 ¹ / ₂	1384	54 ¹ / ₂	1384	59 ¹ / ₂	1511	13 ¹ / ₂	343	29 ¹ / ₂	749	18	457	40	1016	350	159
M2066B-SE	67 ³ / ₈	1711	67 ³ / ₈	1711	72 ¹ / ₄	1835	14 ⁵ / ₈	371	31 ¹ / ₂	800	18	457	40	1016	500	227
M2069B-SE	66 ⁵ / ₈	1692	66 ⁵ / ₈	1692	71 ⁵ / ₈	1819	16 ¹ / ₈	409	33 ¹ / ₈	841	18	457	40	1016	650	295

Specifications

MODEL NO.	MINERAL TANK			BRINE TANK		SOFTENING CAPACITY		LBS. SALT PER REGENERATION		FLOW RATE & PRESSURE		
	Tank Size	Resin Ft ³	Gravel #20	Tank Size	Salt Fill	Max	Min	Max	Min	Serv GPM	Drop PSI	BKW GPM
M2058B-SE	9" x 48"	1.0	10 lbs.	18" x 40"	400	30 K	20 K	15	6	9/15	15/25	2.0
M2059B-SE	10" x 54"	1.5	10 lbs.	18" x 40"	400	45 K	30 K	22.5	9	10/15	15/25	2.4
M2060B-SE	12" x 52"	2.0	30 lbs.	18" x 40"	400	60 K	40 K	30	12	15/20	15/25	3.5
M2066B-SE	14" x 65"	3.0	60 lbs.	18" x 40"	400	90 K	60 K	45	18	18/23	15/25	5.0
M2069B-SE	16" x 65"	4.0	80 lbs.	18" x 40"	400	120 K	80 K	60	24	19/25	15/25	7.0

Ordering Information

MODEL NO.	ORDERING CODES	DESCRIPTION	PIPE SIZE	SPACE REQUIRED D X W X H	WEIGHT	
					LBS	KGS
M2058B-SE	68105186	1 Cubic Foot Twin Alt. Water Softener with Flow Meter	1"	18" x 51" x 70"	230	105
M2059B-SE	68105195	1.5 Cubic Foot Twin Alt. Water Softener with Flow Meter	1"	18" x 51" x 76"	290	132
M2060B-SE	68105205	2 Cubic Foot Twin Alt. Water Softener with Flow Meter	1"	18" x 53" x 74"	350	159
M2066B-SE	68105216	3 Cubic Foot Twin Alt. Water Softener with Flow Meter	1"	18" x 58" x 87"	500	227
M2069B-SE	68105223	4 Cubic Foot Twin Alt. Water Softener with Flow Meter	1"	18" x 62" x 87"	650	295

NOTICE

Capacities are based on resin manufacturer's data and are dependent upon influent water TDS, temperature, bed depth, and flow rates. Feed water must be free of oil and color. Pipe size, tank size, and space requirements are in inches. Flow rates listed at 25 psi drops are for intermittent peak flow rates and are not to be used as continuous flows.

NOTICE

The information contained herein is not intended to replace the full product installation and safety information available or the experience of a trained product installer. You are required to thoroughly read all installation instructions and product safety information before beginning the installation of this product.

