

Installation, Operation & Maintenance Manual

Conquest[®] Gas Burners with EOS (Electronic Operating System) Models: (20, 25, 30) L 100 A-GCL (230/50)



Important: This manual contains information required for installation, operation and maintenance of this equipment. Read and follow the information in this manual and all other provided instructions, labels and markings before installing, operating or servicing this unit.

Installation and service must be performed by a qualified service installer, service agency or the gas supplier.

To the installer: After installation, these instructions must be given to the equipment user or left near the appliance.

Special instructions to the owner: Retain this manual for future reference. These instructions contain important information that will help you in maintaining and operating this appliance.



Hot Water Solutions

CONQUEST® GAS BURNERS

TABLE OF CONTENTS

- 1. Safety Considerations**
- 2. Product Description**
- 3. Water Heater Installation**
 - 3.1 Checking Equipment Before You Install
 - 3.2 Codes
 - 3.3 Electrical Requirements
 - 3.4 Handling and Locating the Water Heater
 - 3.5 Clearances to Combustible Surfaces
 - 3.6 Service Clearances
 - 3.7 Other Codes and Regulatory Clearances and Requirements
- 4. General Piping Guidelines**
 - 4.1 Inlet and Outlet Connections
 - 4.2 Building Return Piping
 - 4.3 Requirement for 180°F Delivered Water to a Dish Machine
 - 4.4 Booster Heater Applications
- 5. Condensate Drain, Trap & Disposal**
 - 5.1 Condensate Neutralization System (optional)
- 6. Gas Supply and Piping**
 - 6.1 Gas Train and Controls Certification
 - 6.2 Gas Control Trains
 - 6.3 Inlet Pressure
 - 6.4 Manifold Pressure
 - 6.5 Gas Piping Size
 - 6.6 Appliance Isolation During Gas Supply Piping Pressure Test
 - 6.7 Gas Connection
- 7. Combustion and Ventilation Air**
 - 7.1 Equipment Located in Confined Spaces
 - 7.2 Maximum Allowed Remote Combustion Air Inlet Length
 - 7.3 Remote Combustion Air Cap
 - 7.4 Vertical or Horizontal Remote Air Duct Termination
 - 7.5 Combining Remote Air Ducting
- 8. Venting**
 - 8.1 Venting the CONQUEST
 - 8.2 Maximum Vent Length
 - 8.3 Vertical or Horizontal Vent Termination
 - 8.4 Combining Category IV Vent
 - 8.5 Concentric Vent for Combustion Air and Exhausting Flue Products
 - 8.6 Connecting to an Existing Vent System
- 9. Operating and Safety Controls**
 - 9.1 Temperature and Pressure Relief Valve(s)
 - 9.2 Cathodic Protection
 - 9.3 Electronic Low Water Cut-off
 - 9.4 Operating Temperature Control
 - 9.5 High Water Temperature Limit
- 10. EOS (Electronic Operating System)**
 - 10.1 Touch Screen User Interface
 - 10.2 Status Field Display
 - 10.3 Operational Sequence Field Display

CONQUEST® GAS BURNERS

- 10.4 View Menu (Home Screen - Default Display)
- 10.5 Control System Menus
- 10.6 Changing the Vent Material Type
- 10.7 Changing the Operating Set Point
- 10.8 Setting the Real Time Clock
- 10.9 Scheduled Setback
- 10.10 Using the Manual Override Menu
- 10.11 Potentiometer (Operating Set Point for Standalone Operation)
- 10.12 Using Tool Box Menu
- 10.13 Basic Operational Reference Information
- 11. Communications and Diagnostics**
 - 11.1 Indicators
 - 11.2 Alarm Messages – Diagnostic Codes (Flashes)
 - 11.3 Replacing the Fuse
 - 11.4 Self-Check/Control Failure
 - 11.5 System Safety Checks
 - 11.6 Flame Current Measurements
 - 11.7 Non-Volatile Lockout/Manual Reset
 - 11.8 ID Card
- 12. Network Menu**
 - 12.1 EOS Register List
 - 12.2 Error Codes
- 13. Remote Connections – Terminal Strip**
 - 13.1 Making BMS/BAS Remote Connection for Analog and Binary Signals
 - 13.2 Terminal Functions
- 14. Sequence of Operation**
- 15. Initial Startup**
 - 15.1 Initial Startup Requirements
 - 15.2 Tools and Instrumentation Required
 - 15.3 Resources
 - 15.4 On Site Considerations
 - 15.5 Pre-Startup Checklist
 - 15.6 Startup Procedure
- 16. Potentiometer (Operating Setpoint for Stand Alone Operation)**
- 17. NSF Food Service Installation Guidelines**
- 18. Troubleshooting Procedure**
 - 18.1 General Troubleshooting
 - 18.2 LED Error Code Listing
- 19. Replacement Parts**
 - 19.1 Burner Assembly
 - 19.2 Control Panel Components
 - 19.3 Gas Train Assembly
 - 19.4 Drain Valve –T&P Relief Valve – Integral Circulating Pump Assembly
 - 19.5 Condensate Drain Trap and Optional Condensate Neutralizer
 - 19.6 Component Wiring and Conduit Routing Details
- 20. Periodic Maintenance**
- 21. Recommended Maintenance Schedule**
- 22. Requirements for the Commonwealth of Massachusetts**

CONQUEST® GAS BURNERS

1 SAFETY CONSIDERATIONS

WARNING: If the information in the supplied manual(s) is not followed exactly, a fire, explosion or exposure to hazardous materials may result, causing property damage, personal injury or death.

AVERTISSEMENT. Assurez-vous de bien suivre les instructions données dans cette notice pour réduire au minimum le risque d'incendie ou d'explosion ou pour éviter tout dommage matériel, toute blessure ou la mort

FOR YOUR SAFETY

- **Do not** store or use gasoline or other flammable vapors or liquids in the vicinity of this or any other appliance.
- **Ne pas** entreposer ni utiliser d'essence ou ni d'autres vapeurs ou liquides inflammables à proximité de cet appareil ou de tout autre appareil.

WHAT TO DO IF YOU SMELL GAS

- **Do not** try to light any appliance.
- **Do not** touch any electric switch; do not use any phone in your building.
- **Immediately** call your gas supplier from a location away from your building and the smell of gas. Follow the gas supplier's instructions.
- If you cannot reach your gas supplier, call the fire department.

QUE FAIRE SI VOUS SENTEZ UNE ODEUR DE GAZ:

- Ne pas tenter d'allumer d'appareil.
- Ne touches à aucun interrupteur; ne pas vous servir des téléphones se trouvant dans le bâtiment.
- Appelez immédiatement votre fournisseur de gaz depuis un voisin. Suivez les instructions de fournisseur.
- Si vous ne pouvez rejoindre le fournisseur, appelez le service de incendies.

Installation and service must be performed by a qualified installer, service agency or the gas supplier.

L'installation et l'entretien doivent être assurés ou un service d'entretien qualifié ou par le fournisseur de gaz.

This product contains, or may come to contain materials that have been identified as carcinogenic, or possibly carcinogenic to humans. Before installing, servicing or removing this product, read and follow the supplied instructions

Clearance in accordance with the local installation codes and the requirements of the gas supplier.

Dégagement conforme aux codes d'installation locaux et aux exigences du fournisseur de gaz.

Should overheating occur or the gas supply fail to shut off, turn off the manual gas control valve to the appliance.

En cas de surchauffe ou si l'alimentation en gaz ne s'arrête pas, fermez manuellement le robinet d'arrêt de l'admission de gaz.

WARNING: Installation and service must be performed by a qualified installer, service agency or the gas supplier, who must read and follow the supplied instructions before installing, servicing or removing this appliance. Refer to the information contained in this manual. Improper installation, adjustment, alteration, service or maintenance can cause property damage, personal injury, exposure to hazardous materials or death.

WARNING: Do not use this appliance if any part has been under water. Immediately call a qualified service technician to inspect the unit and to replace any part of the control system, all gas controls and all other items affecting safe appliance operation and which has been under water.

AVERTISSEMENT: N'utilisez pas cet appareil s'il a été plongé dans l'eau, même partiellement. Faites inspecter l'appareil par un technicien qualifié et remplacez toute partie du système de contrôle et toute commande qui ont été plongés dans l'eau.

WARNING: In an emergency shut the main gas supply valve to the appliance from a location safely away from the emergency. Failure to follow these instructions can cause property damage, personal injury, and exposure to hazardous materials or death.

CONQUEST® GAS BURNERS

PRODUCT SAFETY INFORMATION REFRACTORY CERAMIC FIBER PRODUCT WITH CRYSTALLINE SILICA

WARNING: This product contains or may come to contain crystalline silica, which has been identified by the International Agency for Research on Cancer (IARC) as carcinogenic to humans. This product also contains refractory ceramic fibers, which have been identified by the IARC as possibly carcinogenic to humans. Avoid breathing fiber particulates and dust.

RISKS:

- Air borne fibrous insulation is a possible cancer hazard by inhalation.
- Airborne crystalline silica may cause silicosis (lung disease) by inhalation.
- May cause temporary irritation to eyes, skin, and respiratory tract.

PRECAUTIONARY MEASURES:

- Minimize airborne fibers with engineering controls.
- Use NIOSH/MSHA approved respirators as required (see SDS).
- Wear long sleeved, loose-fitting clothing, eye protection and gloves.

FIRST AID MEASURES: (If any of the irritations listed persists, seek medical attention)

- Eyes: Flush with water.
- Skin: Wash with soap and warm water.
- Ingestion: Do not induce vomiting. Get medical attention if gastrointestinal symptoms develop.
- Inhalation: Remove to fresh clean air.

WARNING: If you are unfamiliar with the safe handling of refractory ceramic fiber products, or if you wish additional information prior to beginning any disassembly of the water heater or boiler that might expose refractory ceramic fiber materials, contact: Unifrax Corporation, 2351 Whirlpool Street, Niagara Falls, NY 14305-2413, 1-800-322-2293.

IDENTIFICATION OF REFRACTORY CERAMIC FIBER MATERIALS (RCF):

The burner assembly utilizes RCF material. (The RCF materials are located within the product and not generally exposed except during service, disassembly or assembly.)

CONQUEST® GAS BURNERS

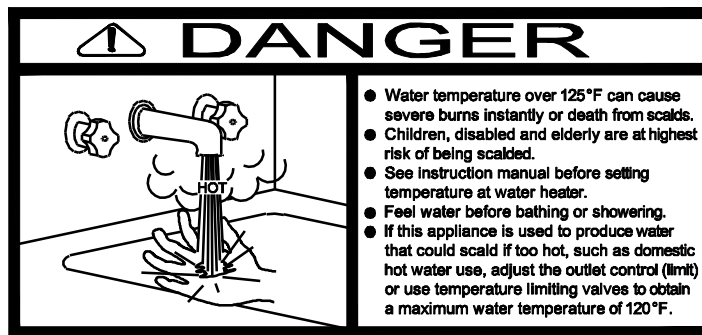
IMPORTANT SAFETY NOTE

It takes only 5 seconds of skin contact with 140°F water to cause a second degree burn! You must protect against high water temperatures at all lavatories, tubs, showers and other points of hot water contact.

Accidental scalding from high water temperatures is a greater risk in some types of installations. Some examples are:

**HOMES FOR THE MENTALLY HANDICAPPED
HOMES FOR THE PHYSICALLY HANDICAPPED
HOSPITALS AND NURSING HOMES
ELDER CARE FACILITIES AND REST HOMES
ORPHANAGES AND CHILD CARE FACILITIES**

OTHER INSTALLATIONS - WHERE RESPONSE TO CONTACT WITH HOT WATER MAY BE SLOWER OR WHERE THE DANGER OF HOT WATER CONTACT IS GREATER.



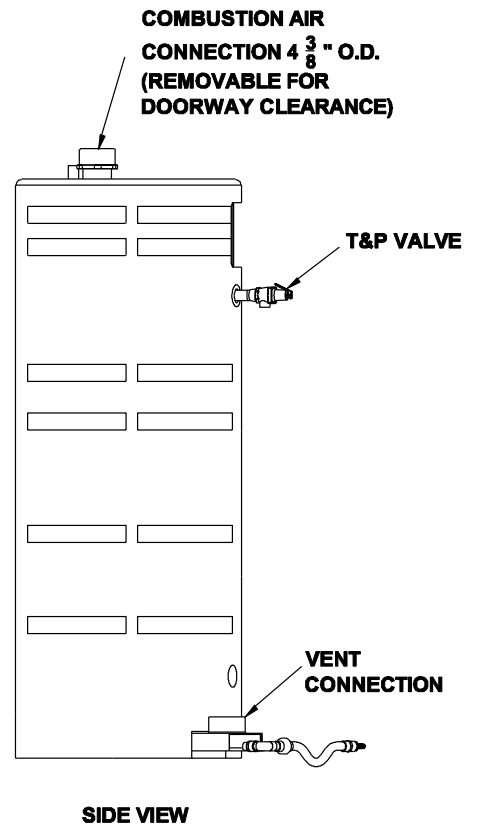
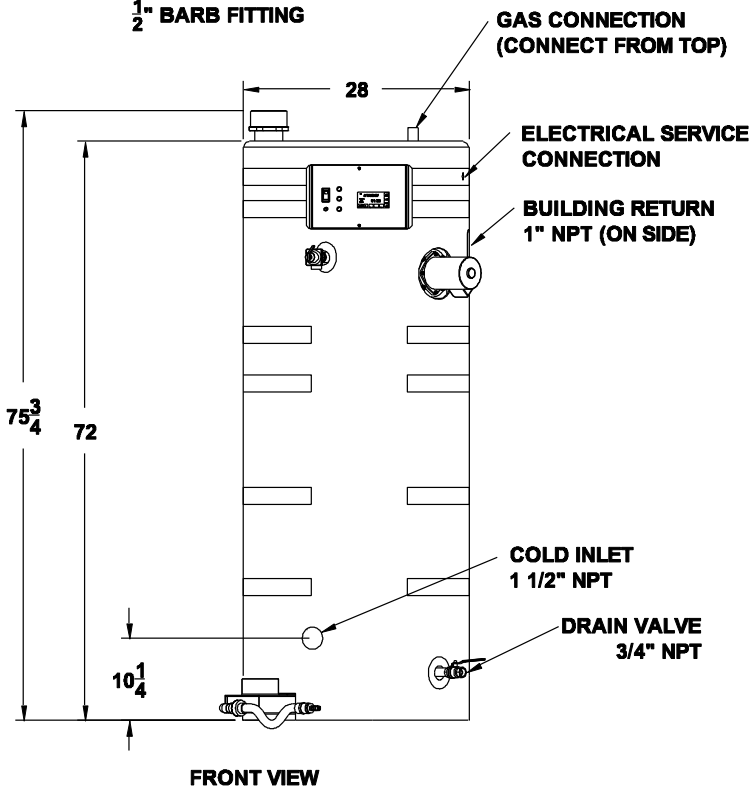
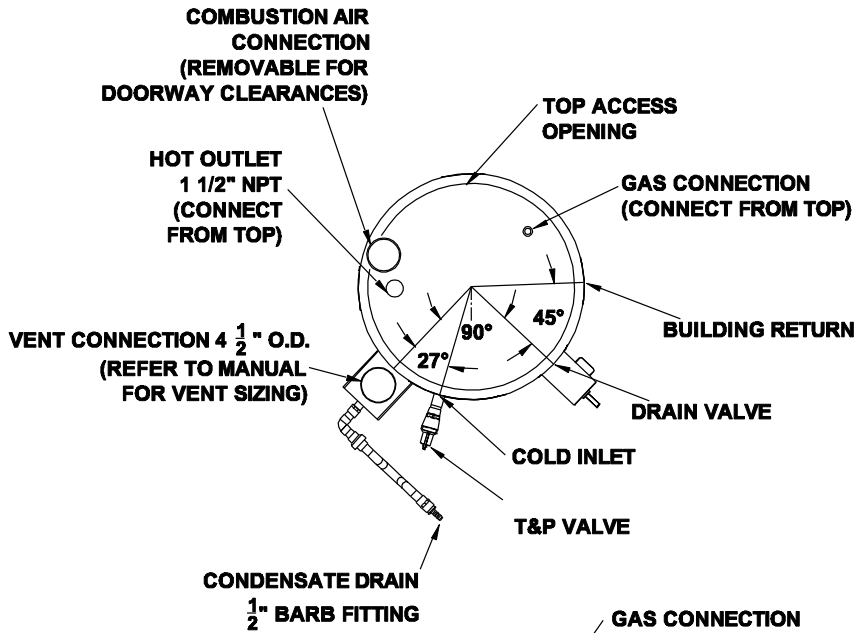
Thermostatically controlled mixing valves must be used in the design of the potable hot water system.

Potable hot water should be tempered to no more than 110°F when used for bathing or other personal uses.

Good engineering practice mandates the use of thermostatically controlled mixing valves set at 120°F or less to keep the delivered water temperature below scalding temperatures.

CONQUEST® GAS BURNERS

2 PRODUCT DESCRIPTION Component, Controls and Connection Locations (Locations May Vary)



CONQUEST® GAS BURNERS

3 WATER HEATER INSTALLATION

3.1 Checking Equipment Before You Install

- Inspect the unit completely upon receipt from the freight carrier before signing the bill of lading. Inspect the appliance and all accompanying parts for signs of impact or mishandling. Verify the total number of pieces shown on packing slips with those actually received. Contact the freight carrier immediately if any damage or shortage is detected.
- Check the data decal on the appliance. Be sure the electrical, water and gas supply is adequate for the installation.
- Carefully remove all side and top shipping supports and bracing. If possible, do not remove the wooden base/skid assembly until the product has been moved to its final location for installation and operation (see: Handling and Locating the Water Heater).

3.2 Codes

The equipment must be installed in accordance with those installation regulations in force in the local area where the installation is to be made. Authorities having jurisdiction must be consulted before installation is made. In the absence of such requirements, the installation must be in accordance with the instructions in this manual, appliance markings and supplemental instructions and in compliance with the latest edition of the National Fuel Gas Code, ANSI Z223.1/NFPA 54. Where required by the Canadian authority having jurisdiction, the equipment must be installed in accordance with the latest edition of the CSA B149.1 Natural Gas and Propane Installation Code and applicable Provincial Regulations. All appliances conform to the current edition of the ASME Boiler and Pressure Vessel Code, Section IV, Part HLW.

3.3 Electrical Requirements

See appliance rating decal for electrical service requirements. The appliance must be electrically supplied and grounded in accordance with the requirements of the authority having jurisdiction or, in the absence of such requirements, with the latest edition of the National Electrical Code ANSI/NFPA No. 70. In Canada, the electrical service must conform to local electrical codes and/or CSA C22.1, Canadian Electrical Code, Part 1.

- All wiring between the unit and field installed devices must be made with properly rated stranded copper wire.
- Line voltage wire exterior to the appliance must be enclosed in approved conduit or approved metal clad cable.
- To avoid serious damage, **DO NOT** energize the unit until the system and appliance is full of water.

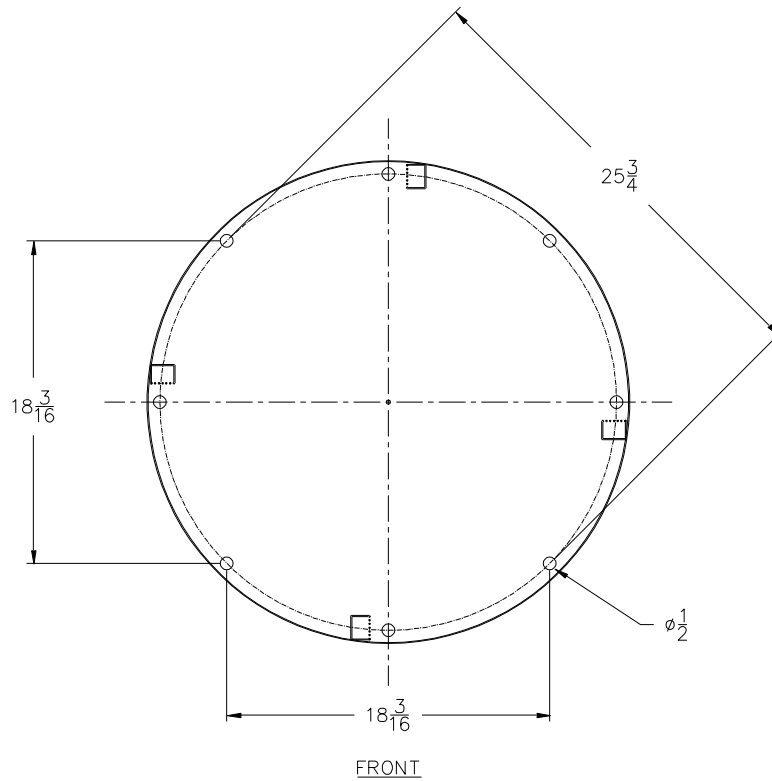
Utiliser du fil de cuivre de la taille appropriée pour le service électrique entrant. Les dommages résultant de l'utilisation de fil d'aluminium seront exclus du champ d'application de la garantie de cet appareil.

3.4 Handling and Locating the Water Heater

WARNING: Use industry standard safe rigging methods, such as strapping around the water heater base/skid assembly and using spreader bars, when attempting to lift or move this product. Failure to follow industry standard safe rigging methods can result in property damage, serious injury or death.

- 1 The water heater must be located indoors.
- 2 This water heater can be installed directly on a combustible floor.
- 3 Locate the water heater in an area that is not exposed to freezing temperatures.
4. Locate on a level surface. Installation on a 4 inch to 6 inch housekeeping pad is recommended.
5. Locate the water heater near a floor drain. Locate the unit so if the tank or water connections should leak, water damage will not occur to the adjacent area or to lower floors of the building. When such locations are unavoidable, install an adequately drained metal drain pan underneath the water heater. The manufacturer's warranty does not cover water damage.
6. Protect associated electrical components and electrical connections from water (dripping, spraying, rain, etc.) during appliance operation and service.
7. Locate the water heater where the vent and air intake piping, when installed, will remain within the maximum equivalent lengths allowed. See Venting.
8. Use the following diagram to locate anchors or attachment points, when connecting the heater to the floor. Commonly used concrete anchors: 5/16" x 1-3/4" double expansion shield

CONQUEST® GAS BURNERS



3.5 Clearances To Combustible Surfaces

The minimum clearance to combustible material is 15" from the top, 24" from the front and zero clearance (0") from the sides and back of the water heater. The Conquest can be installed directly on a combustible floor.

Distance minimale aux matériaux combustibles est égale à zéro (0 cm) sur les côtés et à l'arrière, avant les 61 cm, 38 cm de haut et peut être installé directement sur un plancher combustible.

3.6 Service Clearances

Additional clearance beyond the minimum required to combustible material should be considered to facilitate easy access for inspection and service of items such as the burner, gas controls and plumbing connections. Also allow sufficient space for installing and servicing building water, gas, vent, combustion air, electrical, pump and other auxiliary/optional equipment and connections.

3.7 Other Code and Regulatory Clearances and Requirements

Additional clearance beyond the minimum required to combustible materials and other requirements may be required to comply with local, state or national codes and regulations. It is to the responsibility of the installer to comply with these requirements. Examples of codes or regulations that may apply are the National Electric Code, State/Regional/National drain water and flue emissions regulations, the National Fuel Gas Code, Building Construction and Safety Codes, the Americans with Disabilities Act (ADA) and, in states where a water heater above a certain input or storage capacity is considered a boiler, the applicable boiler code requirements, the applicable boiler installation requirements in "Safety Code for Controls and Safety Devices for Automatically Fired Boilers" (CSD-1) and other regulatory requirements.

CONQUEST® GAS BURNERS

4 GENERAL PIPING GUIDELINES

WARNING: Hot outlet and cold water piping materials connected to this product must be suitable for temperatures up to 212°F at normal operating water pressures.

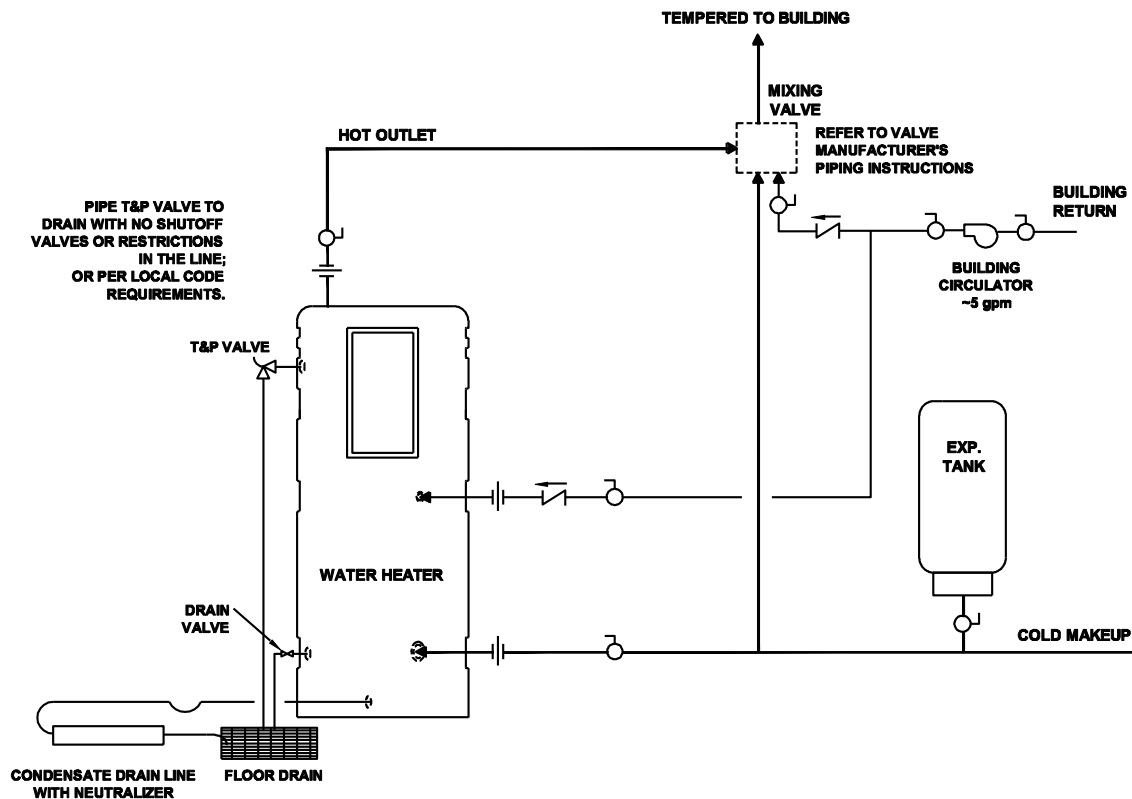
4.1 Inlet and Outlet Connections

1. Use only non-ferrous water piping and fittings. Do not use galvanized pipe or fittings. Use of ferrous or galvanized pipe or fittings can cause rust to form.
2. Install shut-off valves and unions on the inlet and outlet water piping for servicing. Use caution when threading pipe nipples into tank connections to prevent cross threading, or over-tightening. Always use a back-up wrench on tank nipples when tightening unions, valves, etc.
3. Insulate hot water and return circulation lines. Insulate cold water supply lines if subject to freezing during shutdown periods. **IMPORTANT:** Do not use the plumbing connected to the appliance as a ground for welding or any other purpose.
4. Pipe the drain valve to a suitable open drain capable of receiving discharge temperatures up to 212°F.

IMPORTANT: For maximum efficiency, the inlet water to the Conquest should not exceed 100°F. It is also recommended that the building return or dishwasher recirculation piping be connected to the return water connection located at the mid-tank and not to the cold inlet water supply. The Conquest utilizes cold inlet water to help extract almost all of the heat energy from the products of combustion, which lowers the vent temperature to allow the use of PVC vent pipe. Higher cold inlet water temperatures will reduce heater efficiency and increase the vent temperature. If the vent temperature approaches the maximum allowed, a vent temperature limit switch will cycle the heater off to protect the PVC vent. When high temperature inlet water is applied, such as the Booster Heater Application described later in section 4, follow the instructions for required venting selection and vent limit adjustment.

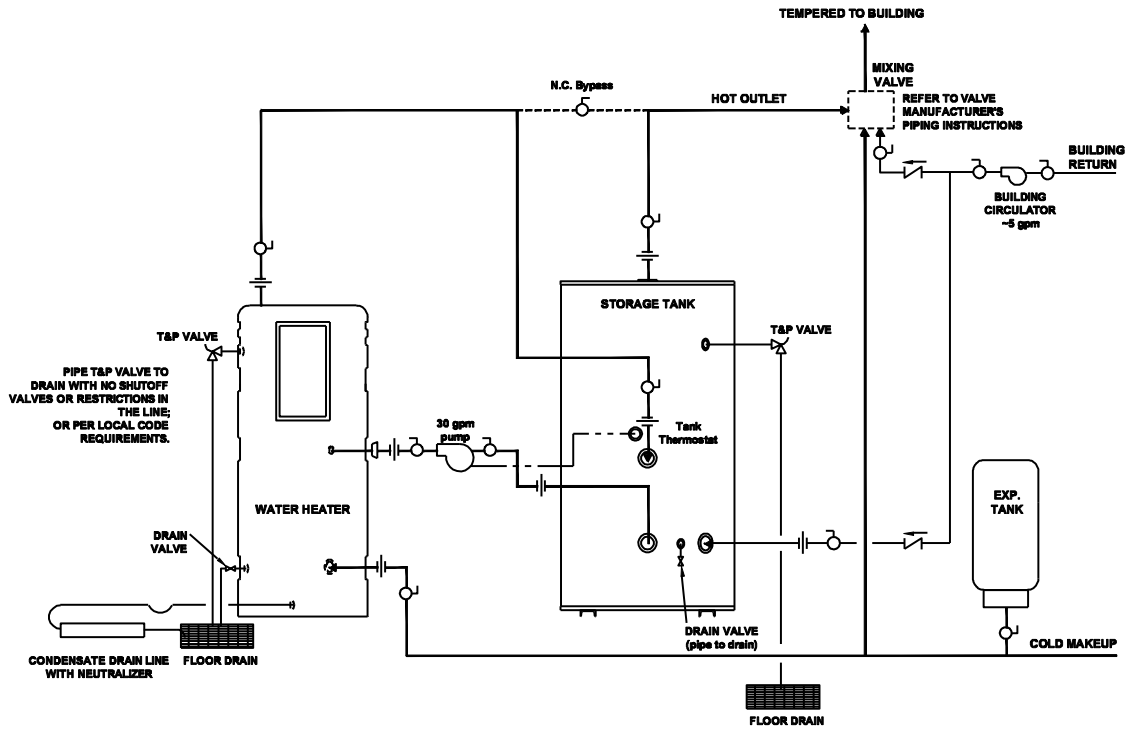
4.2 Building Return Piping

To maximize water heater efficiency, do not connect the building return or dishwasher recirculation piping (≈ 5 gpm) directly to the cold inlet. Connect directly to the dedicated building return fitting located at the rear of the tank at mid-tank level.

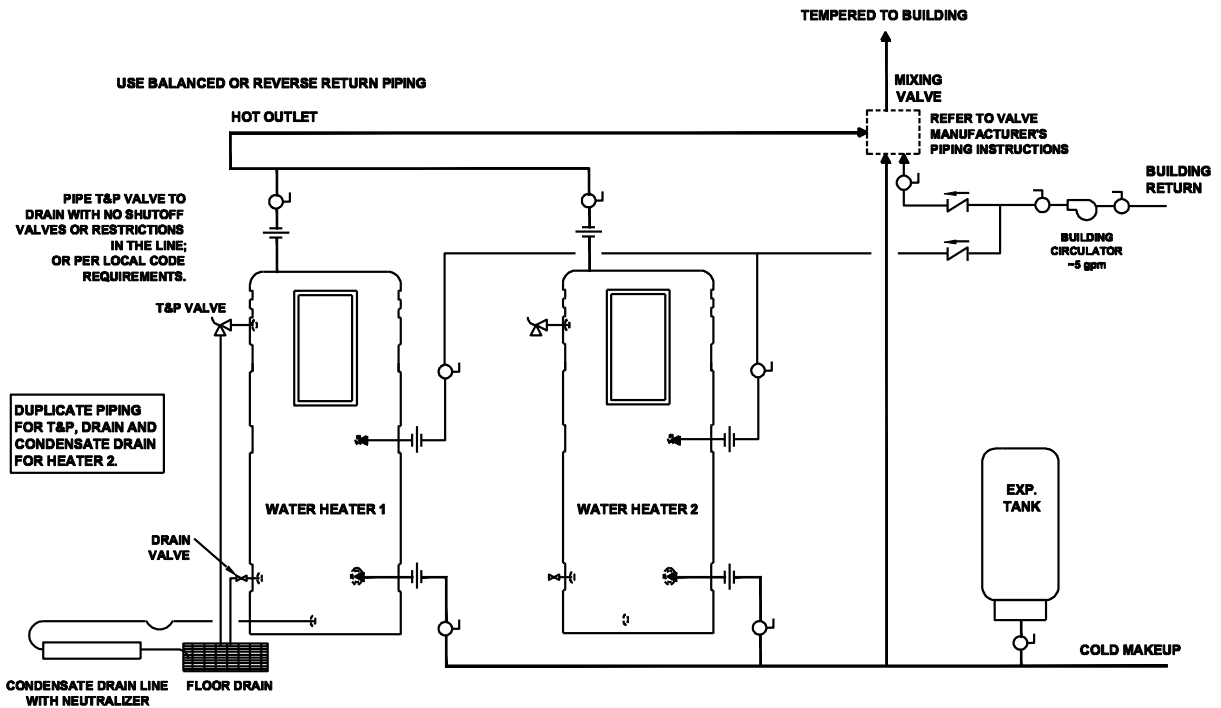


SINGLE WATER PIPING

CONQUEST® GAS BURNERS



SINGLE STORAGE WATER HEATER WITH SUPPLEMENTAL STORAGE TANK

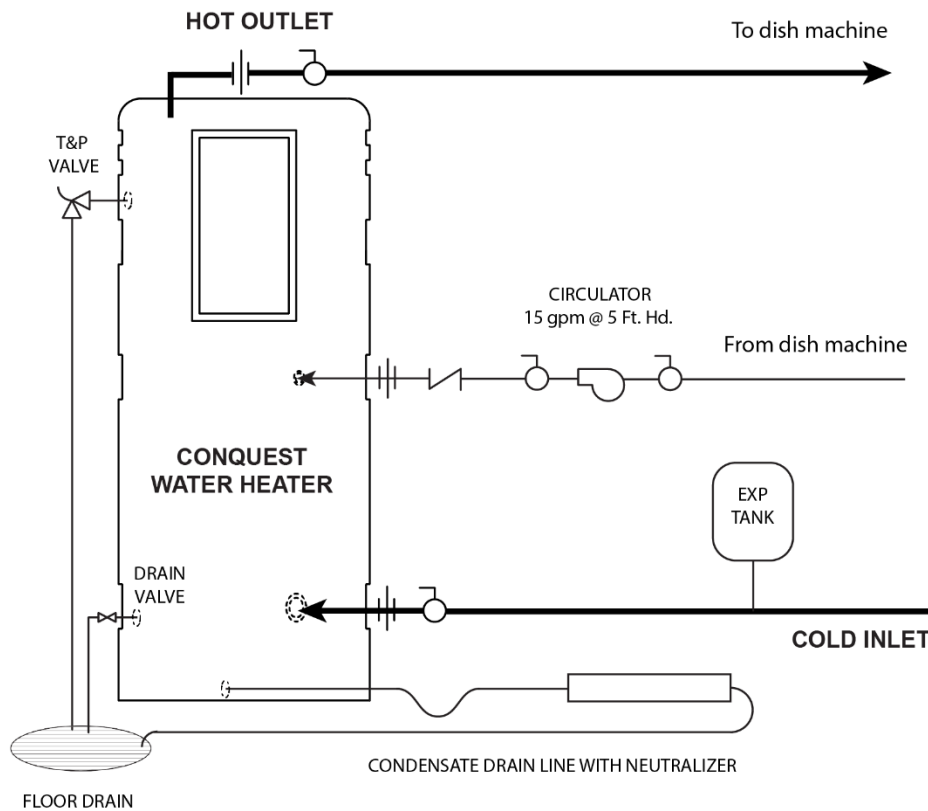


TWO WATER HEATERS WITH REVERSE RETURN PIPING

CONQUEST® GAS BURNERS

4.3 Requirement for 180°F Delivered Water to a Dish Machine

When the Conquest water heater is applied as the high temperature water source for a dish washing application, the application requirements and notes below must be followed.



Application Requirements and Notes:

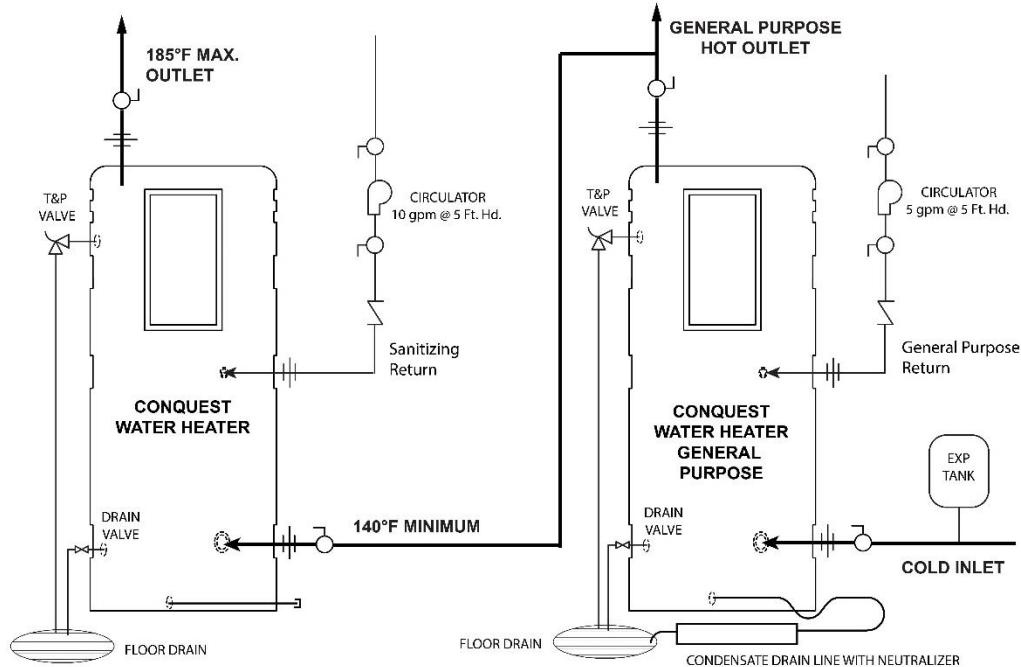
For Conquest applied as the high temperature water source for a dish washing application, follow all instructions in the "VENTING" and "GENERAL PIPING GUIDELINES" Sections of this manual, EXCEPT that:

1. These instructions are for operation with normal cold inlet water temperatures of less than or equal 110°F. Contact factory for inlet water temperatures above 110°F.
2. Solid PVC exhaust venting is acceptable for inlet water temperatures less than or equal 100°F. If inlet water temperatures are above 100°F, then solid CPVC or ETL, UL, ULC or CSA listed polypropylene or stainless steel venting is required and the vent limit switch must be adjusted for the higher temperature rating allowed by these vent materials (Contact factory for instructions).
3. Change the following EOS control settings on the Conquest water heater applied as the high temperature water source for a dish washing application:
 1. Adjust the operating differential (DIFF) to 2°F; 2. Adjust the operating offset (OFFSET) to 3°F; and 3. If the installed exhaust venting material is solid CPVC or ETL, UL, ULC or CSA listed polypropylene or stainless steel, adjust the vent limit switch (Contact factory for instructions). Adjust these parameters in the Setup menu of the digital control display. These settings are used on most dish washing applications, but may require adjustment for optimal performance.
4. The dish washer application must include a 15 gpm circulation loop between the booster heater and the dish machine. A B&G NBF 22 pump with a minimum 1-inch pipe return to the heater is recommended and is available from PVI.
5. All dishwashing machines meeting National Sanitation Foundation (NSF) requirements must operate between 15 and 25 PSI water flow pressure. Pressure reducing or flow regulating control valves in the hot water supply line to the dishwasher should be adjusted within these limits.

CONQUEST® GAS BURNERS

4.4 Booster Heater Applications

When the Conquest water heater is applied as the high temperature water heater in a booster heater application, the application requirements and notes below must be followed.



Application Requirements and Notes

For Conquest applied in a booster heater application, follow all instructions in the “VENTING”, “GENERAL PIPING GUIDELINES” and “CONDENSATE DRAIN, TRAP & DISPOSAL” Sections of this manual, EXCEPT that:

1. A minimum water temperature of 140°F must be supplied by the general purpose water heater to the inlet of a Conquest water heater, when it is applied as a booster heater. Contact the factory, if the general purpose water heater cannot supply water temperatures with a minimum of 140°F.
2. Solid CPVC or ETL, UL, ULC or CSA listed polypropylene or Stainless Steel venting system is required for the booster heater. If a concentric vent is used, the vent must be solid CPVC and terminated with an IPEX CPVC System 636 concentric vent termination kit. The General Purpose Water Heater has no special installation requirements when it is used to supply 140°F water to the inlet of the booster heater.
3. When the Conquest is applied as a booster heater, the vent limiting switch must be adjusted for the higher temperature rating allowed by the use of the solid CPVC, polypropylene or stainless steel venting (Contact factory for instructions).
4. Change the following EOS control settings on the Conquest water heater applied as a booster heater using the required CPVC or ETL, UL, ULC or CSA listed polypropylene or stainless steel venting system:
 1. Adjust the operating differential (DIFF) to 2°F; 2. Adjust the operating offset (OFFSET) to 3°F; and 3. Adjust the vent temperature limit switch (Contact factory for instructions). Adjust these parameters in the Setup menu of the control display. These settings are used on most booster heater application, but may require adjustment for optimal performance.
5. Install a 3/4" CPVC threaded pipe plug into the condensate outlet fitting near the vent connection. Do not use the supplied “P” trap. Since booster heater operation with an inlet water temperature of 140°F or higher does not result in the formation of condensate, there is no liquid available to form the water seal in a “P” trap. Without the water seal, some flue gas can escape into the installed space.
6. The booster heater application must include a 10 gpm circulation loop between the booster heater and the dish machine. A B&G NBF 22 pump with a minimum 1-inch pipe return to the heater is recommended and is available from PVI.
7. All dishwashing machines meeting National Sanitation Foundation (NSF) requirements must operate between 15 and 25 PSI water flow pressure. Pressure reducing or flow regulating control valves in the hot water supply line to the dishwasher should be adjusted within these limits.

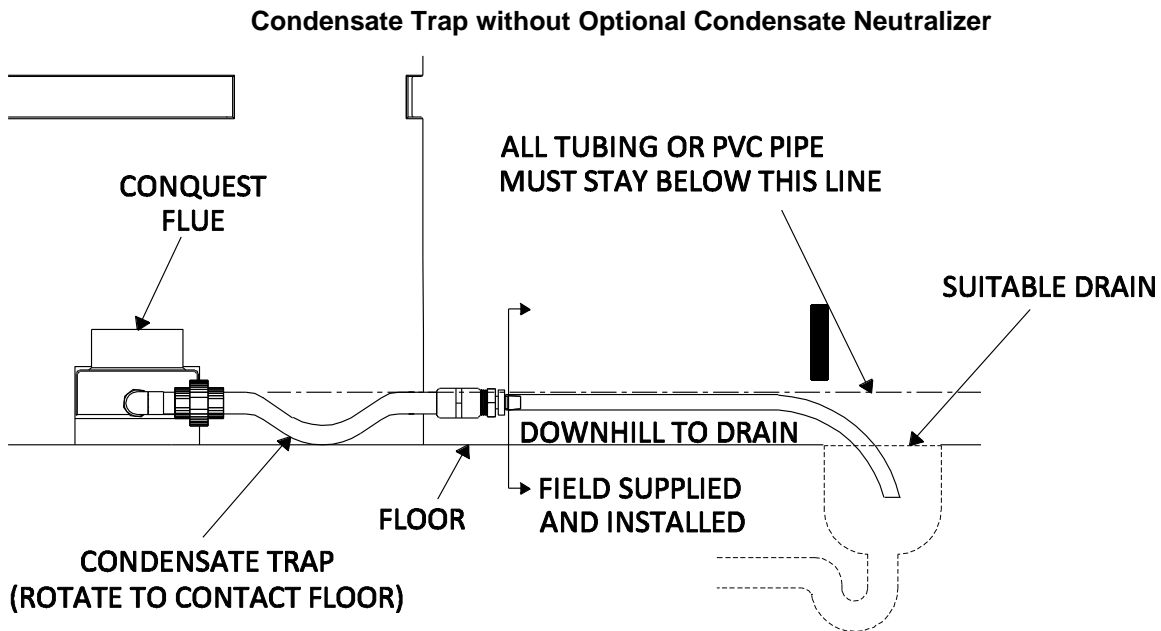
CONQUEST® GAS BURNERS

5 CONDENSATE DRAIN, TRAP & DISPOSAL

All Conquest water heaters, except those applied as a booster water heater (see Section 4.3 for booster instructions), are for operation with normal cold inlet water temperatures of less than or equal to 110°F and produce a significant amount of condensate. The condensate drain is under slightly positive flue pressure, so the provided 3/4" PVC condensate trap must always be used. This trap is sized and designed to fill with the proper amount of condensate to create a liquid barrier to prevent flue gases escaping through the condensate drain into the installed space.

WARNING: The trap included with this unit must be installed and maintained as described in these instructions and must be included as part of the condensate piping system. This trap is required to keep potentially hazardous products of combustion from continually entering the installed space where the condensate piping terminates. Failure to properly install this trap can cause, personal injury, exposure to hazardous materials or death.

1. Attach the 3/4" PVC fitting from the union on the condensate trap assembly to the PVC pipe exiting the flue collector located near the front of the Conquest. Additional PVC fittings and pipe can be added to the flue collector connection to relocate the condensate trap assembly as long as all added parts are at the same elevation. After attachment, the trap must be rotated so the offset in the pipe aims down toward the floor. Do not rotate the offset toward the ceiling. Do not use tools to tighten the PVC union. Hand-tighten the PVC union to seat the internal gasket.
2. Do not combine condensate drains from multiple condensing appliances into a single drain line. Route each drain line into a drain suitable for condensate and make certain the end of the drain lines are not submerged or otherwise blocked.
3. All condensate plumbing must be protected from freezing. Do not locate the condensate piping such that an ice dam of frozen condensate can block condensate from leaving the outlet.
4. The condensate is only slightly acidic (3-5 PH), however, local codes may require it to be neutralized prior to entering the drainage system. An optional, field installed, Condensate Neutralization System is available from the factory.
5. Connect a condensate drain line or the PVI Condensate Neutralization System to the barbed hose connection, sized for 1/2" ID heavy wall Vinyl tubing rated for 170°F or higher, located at the end of the condensate trap. All piping from the condensate trap to the suitable drain must remain below the highest point (top of the condensate outlet pipe) on the properly attached condensate trap.



CONQUEST® GAS BURNERS

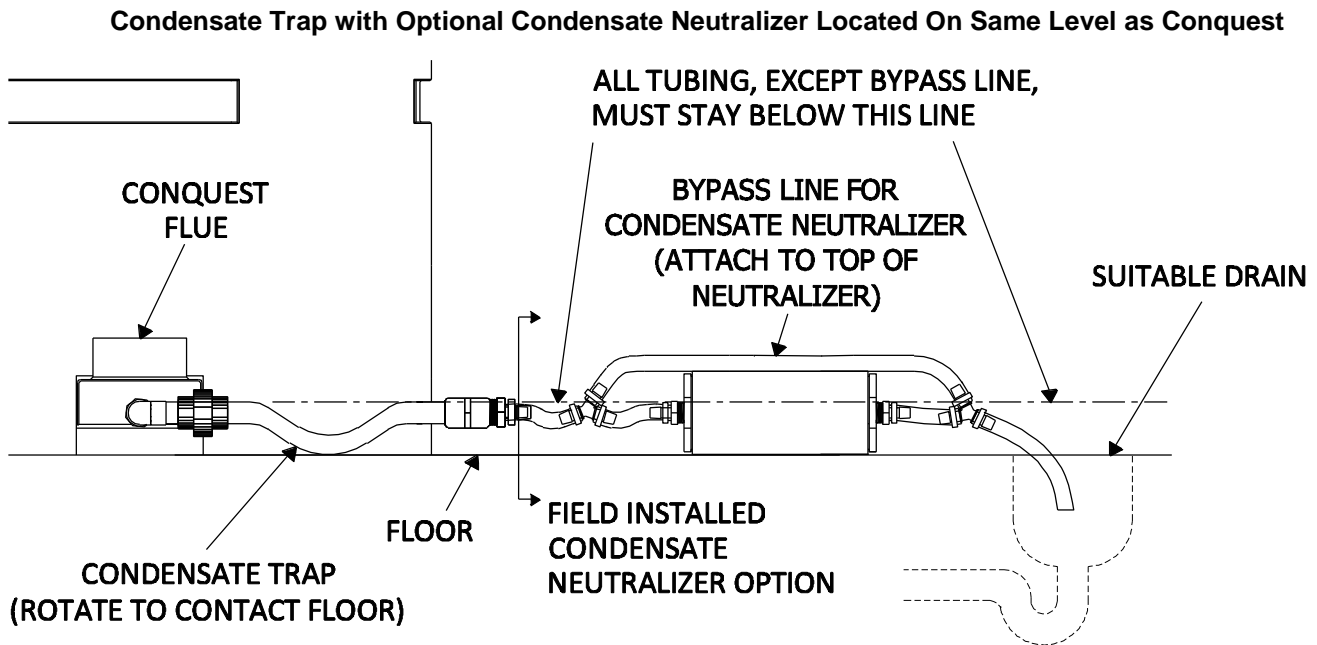
5.1 Condensate Neutralization System (optional)

Condensate is only slightly acidic (3-5 PH), however this slight acidity can be neutralized by routing it through an optional PVI Condensate Neutralization System. Some “authorities having jurisdiction” require such neutralization before condensate disposal through a suitable drain. Condensate is neutralized while slowly flowing through a container filled with renewable neutralizing media. The condensate neutralizer reduces or avoids the need for separate chemical treatment or dilution using substantial quantities of tap water. Contact your local PVI representative to obtain a Condensate Neutralization System and follow the instructions included for assembly and connection.

Condensate Neutralization Systems (CNS) Installation Requirements:

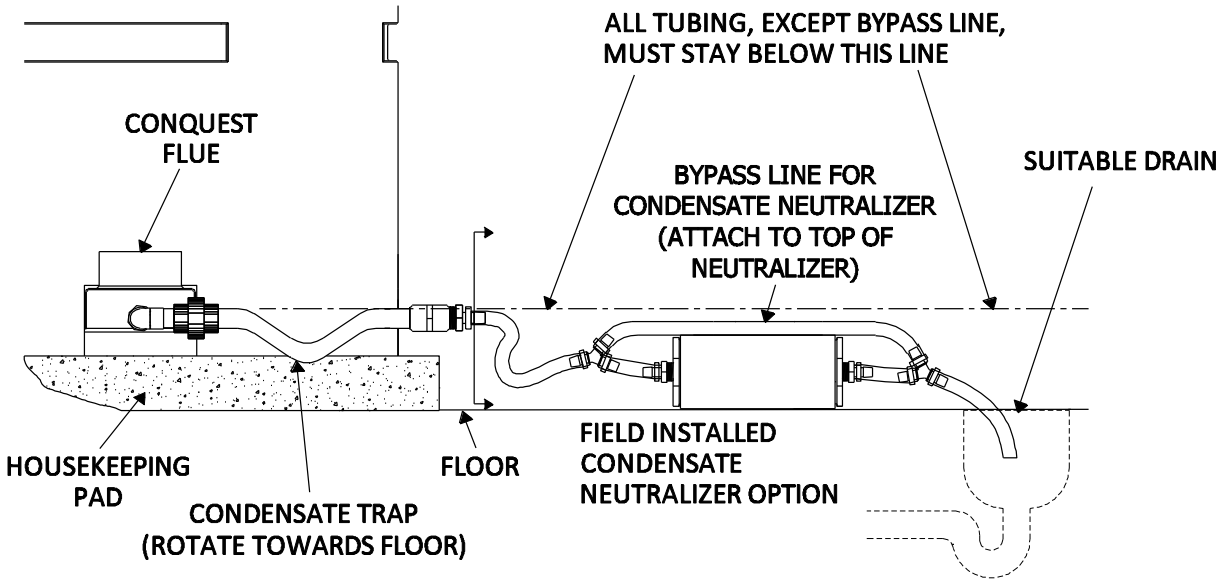
1. Follow the steps in the Condensate Drain, Trap & Disposal section above.
2. The Condensate Neutralization System (CNS) must be mounted horizontally and level.
3. Locate the CNS in a convenient place between the condensate outlet and a suitable drain and where the threaded end cap can be removed to recharge the Neutralizer. Use only the replacement materials specified by the supplier of the CNS.
 - a. The CNS must be located such that condensate will flow downhill from the condensate trap outlet to the inlet on one end of the CNS and downhill from the other end of the CNS to the drain. If this continuous downhill flow is not maintained, the trap will not properly operate and condensate could back up into the heater.
 - b. Follow the instructions included in the Condensate Neutralization System for connecting the Vinyl tubing.
4. Keep the Condensate Neutralization System closed at all times, except for when the appliance is turned off for maintenance to recharge the condensate neutralizer with replacement media.

WARNING: Keep the Condensate Neutralization System closed at all times the appliance is operating. The system must remain closed to prevent potentially hazardous products combustion from continually enter the room. Failure to keep the Condensate Neutralization System closed during appliance operation can cause property damage, exposure to hazardous material, personal injury or death.



CONQUEST® GAS BURNERS

Condensate Trap with Optional Condensate Neutralizer Located Below Conquest



6 GAS SUPPLY AND PIPING

Verify the type of gas specified on rating plate is supplied to the unit. This unit is orificed for operation up to 2000 feet altitude. Appliance Btu/h input derates 4% per 1000 feet elevation above sea level. Consult Factory for installations above 2000 feet elevation.

6.1 Gas Train and Controls Certification

NOTE: The gas train and controls assembly provided on this unit have been tested under the applicable Nationally Recognized Standard to comply with safety and performance criteria such as ignition, combustion and safety shutdown operation.

6.2 Gas Control Trains

All models include the following gas control train components: manual shutoff valve, two safety shutoff valves, zero governor type regulator, manual test valve and manifold pressure taps. These components may be separate or combined in a common housing.

WARNING: Do not adjust or remove any screws or bolts on gas train control components which are secured with a red or blue sealing compound. In addition to voiding warranties and certification listings, such adjustment or disassembly can cause improper operation which could result in property damage, personal injury or death.

6.3 Inlet Pressure

Measure at the inlet pressure tap located at the main gas cock. The inlet pressure must remain within the minimum and maximum values while the unit is at rest and while the unit is operating at maximum firing rate.

INLET PRESSURE	NAT. GAS	Propane
Maximum Static Pressure (Inches-Water Column)	14.0"	13.0"
Minimum Flow Pressure (Inches-Water Column)	3.5"	8.0"

6.4 Manifold Pressure

Measure at the pressure tap located downstream side of the manual valve closest to the burner. The rated manifold pressure appears on the product data label located near the front of the appliance.

CONQUEST® GAS BURNERS

6.5 Gas Piping Size

Do not use the gas pipe connection size to determine the gas supply piping. Designing and sizing a gas supply piping system requires consideration of many factors and must be done by a gas supply piping expert. Always follow NFPA 54 National Fuel Gas Code for gas pipe sizing and gas pipe system design. The following charts provide examples of some of the information used by the gas supply piping expert to determine proper pipe sizes.

Use the values in the following table to add the equivalent straight pipe for each elbow or tee to obtain the total distance from the meter:

CONVERT FITTINGS TO EQUIVALENT STRAIGHT PIPE*								
Diameter Fitting (inches)	¾"	1"	1¼"	1½"	2"	3"	4"	5"
Equivalent Length of Straight Pipe (feet)	2'	2'	3'	4'	5'	10'	14'	20'

Use the following table to determine the possible pipe size based on distance from gas meter for a Single Unit Installation using Schedule 40 Metallic Gas Pipe.*

SINGLE UNIT INSTALLATION – POSSIBLE SCHEDULE 40 METALLIC GAS PIPE SIZE*					
Distance from meter in equivalent feet of schedule 40 metallic gas pipe.* Based on inlet pressure less than 2 psi, specific gravity of 0.60 and a pressure drop of 0.5 in. W.C.					
MODEL	0' - 50'	51' - 100'	101' - 200'	201' - 300'	301' - 500'
20	1"	1"	1-1/4"	1-1/2"	2"
25	1"	1-1/4"	1-1/4"	1-1/2"	2"
30	1"	1-1/4"	1-1/4"	1-1/2"	2"

*See NFPA 54 National Fuel Gas Code for actual pipe size selection and for sizing Propane gas piping

MULTIPLE UNIT INSTALLATIONS SCHEDULE 40 METALLIC GAS PIPE SIZE CHART*														
Maximum Capacity of Pipe in Thousands of BTU's per hour for gas pressures of 14 Inches Water Column (0.5 PSIG) or less and a pressure drop of 0.05 Inch Water Column (Based on NAT GAS, 1025BTU's per Cubic Foot of Gas and 0.60 Specific Gravity).*														
Nominal Iron Pipe Size, Inches	Length of Pipe in Straight Feet													
	10	20	30	40	50	60	70	80	90	100	125	150	175	200
3/4	369	256	205	174	155	141	128	121	113	106	95	86	79	74
1	697	477	384	328	292	267	246	256	210	200	179	164	49	138
1 1/4	1400	974	789	677	595	543	502	472	441	410	369	333	308	287
1 1/2	2150	1500	1210	1020	923	830	769	707	666	636	564	513	472	441
2	4100	2820	2260	1950	1720	1560	1440	1330	1250	1180	1100	974	871	820
2 1/2	6460	4460	3610	3100	2720	2460	2310	2100	2000	1900	1700	1540	1400	1300
3	11200	7900	6400	5400	4870	4410	4000	3800	3540	3300	3000	2720	2500	2340
4	23500	16100	13100	11100	10000	9000	8300	7690	7380	6870	6150	5640	5130	4720

*See NFPA 54 National Fuel Gas Code for actual pipe size selection and for sizing Propane gas piping

6.6 Appliance Isolation during Gas Supply Piping Pressure Test

1. The appliance and its provided manual shutoff valve must be disconnected from the gas supply piping system during any pressure testing of that system at test pressures in excess of ½ PSI (3.5 kPa).
2. The appliance must be isolated from the gas supply piping system by closing its individual manual shutoff valve during any pressure testing of the gas supply piping system at test pressures equal to or less than ½ PSI (3.5 kPa).
3. The appliance and its gas connection must be leak-tested before placing it in operation.

CONQUEST® GAS BURNERS

6.7 Gas Connection

1. Safe operation of unit requires adequate gas supply with the required static and dynamic (flow) pressures. Actual piping selection depends on many variables that must be carefully considered by the gas piping system designer.
2. Do not select gas pipe sizes based only on the supplied tables. These tables are for use by the gas piping system designer as a reference in checking pipe size selections.
3. Gas pipe size may be larger than heater connection.
4. Installation of a union is suggested for ease of service.
5. Install a manual main gas shutoff valve on the gas supply piping connected to the appliance to isolate the burner and gas train from the main supply gas in compliance with NFPA 54 National Fuel Gas Code and most local Codes.
6. The gas system installer must clearly identify the emergency shut-off device.
7. A sediment trap (drip leg) MUST be provided in the inlet of the gas connection to the unit.
8. The combination gas valve incorporates an internal vent limiter. Venting to outdoors is not allowed.

7 COMBUSTION AND VENTILATION AIR

Provisions for adequate combustion and ventilation air to the mechanical room must be in accordance with Section "Air for Combustion and Ventilation" in the latest edition of the NFPA 54 National Fuel Gas Code, ANSI Z223.1 and/or CSA B149.1, Natural Gas and Propane Installation Code or applicable provisions of the local building codes. Any method addressed in NFPA 54 National Fuel Gas Code section "Air for Combustion and Ventilation is acceptable and several are outlined below.

7.1 Equipment Located In Confined Spaces

Equipment located in confined spaces requires two openings, one commencing within 12" (30.5 cm) from the top of the enclosure/room and one commencing within 12" from bottom of the enclosure/room to assure adequate combustion air and proper ventilation. The total input of all gas utilization equipment installed in the room must be used to determine the required minimum air volume needed for combustion, ventilation and dilution of flue gasses. Also consider makeup air requirements from other equipment within the mechanical room or other rooms that are pressure connected with the mechanical room. Some examples of other makeup air requirements are from kitchen exhaust hoods, clothes dryers, powered exhaust fans, etc.

- **All Air From Outdoors:**

Each opening requires a minimum free area of 1 square inch per 4000 Btu/hr of the total input rating of all appliances in the enclosure, if directly communicating with the outdoors or communicating to the outdoors through vertical ducts.

Each opening requires a minimum free area of 1 square inch per 2000 Btu/hr of the total input rating of all appliances in the enclosure, if communicating with the outdoors through horizontal ducts.

- **All Air From Inside The Building:**

Follow the requirements of NFPA 54 National Fuel Gas Code, ANSI Z223.1 section "Indoor Combustion Air."

- **Combination Of Air From The Indoors And From The Outdoors:**

Follow the requirements of NFPA National Fuel Gas Code, ANSI Z223.1 section "Combination Indoor and Outdoor Combustion Air."

- **From Outdoors Through One Opening:**

Follow the requirements of NFPA National Fuel Gas Code, ANSI Z223.1 section "One Permanent Opening Method."

NOTE: This unit may be installed with a remote air intake system which uses a make-up air duct to draw combustion air directly from outdoors.

CONQUEST® GAS BURNERS

WARNING: Adequate clean combustion air must be provided to the appliance. The appliance must never operate under a negative pressure. Particular care must be taken when exhaust fans, compressors, air handling units, etc. may rob air from the appliance. The combustion air supply must be completely free of any chemicals or fumes, which may be corrosive to the appliance. Some common chemical fumes to avoid are fluorocarbons and other halogenated compounds, most commonly present as refrigerants or solvents, such as Freon, trichloroethylene, perchlorethylene, chlorine, etc. These chemicals, when in contact with the equipment or when burned, form acids which quickly attack the tubes, flue collector, stack and other appliance and auxiliary equipment. Failure to provide adequate clean combustion air or operating under negative pressure can cause premature, unwarranted product failure or unsafe operation producing carbon monoxide that could escape into the building. Exposure to carbon monoxide can lead to personal injury or death.

7.2 Maximum Allowed Remote Combustion Air Inlet Length (Equivalent Length)

A vertical or horizontal remote air inlet system can be connected to this appliance without modification. The maximum length of field supplied single wall pipe, such as galvanized ventilation pipe, is shown in the chart below titled Maximum Air Inlet Duct Equivalent Length. Use metal tape or RTV sealant to seal each pipe joint.

Maximum Air Inlet Duct Equivalent Length / Max Elbows			
Duct Size	3" Duct	4" Duct	6" Duct
Max Equivalent Length Model 20	100 feet / 4	200 feet / 10	250 feet / 10
Max Equivalent Length Model 25 & 30	100 feet / 4	150 feet / 7	250 feet / 10

To determine the maximum straight length of duct allowed, use the Duct Fitting Equivalent Length chart below to find the total equivalent length for all duct fittings in your combustion air system. Then subtract this number of feet from the total equivalent length allowed in Maximum Air Inlet Duct Equivalent Length chart above. The sum of this calculation is the maximum length of straight duct allowed. If a longer length is required, repeat the calculation using a larger duct size. No additional deduction is required for the addition of the duct system terminal.

Duct Fitting Equivalent Length for Model 20			
Duct Pipe:	3" Duct	4" Duct	6" Duct
90° Elbow	20 feet	10 feet	5 feet
90° Long Radius Elbow	10 feet	7 feet	3 feet
45° Elbow	10 feet	7 feet	3 feet

Duct Fitting Equivalent Length for Model 25 & 30			
Duct Pipe:	3" Duct	4" Duct	6" Duct
90° Elbow	20 feet	15 feet	10 feet
90° Long Radius Elbow	12 feet	9 feet	6 feet
45° Elbow	12 feet	9 feet	6 feet

The following remote air duct information is provided for use in design calculations, if needed.

Remote Air Duct Specifications	
Input MBtu/h	Required Air (SCFM)
199	44
250	54
299	65

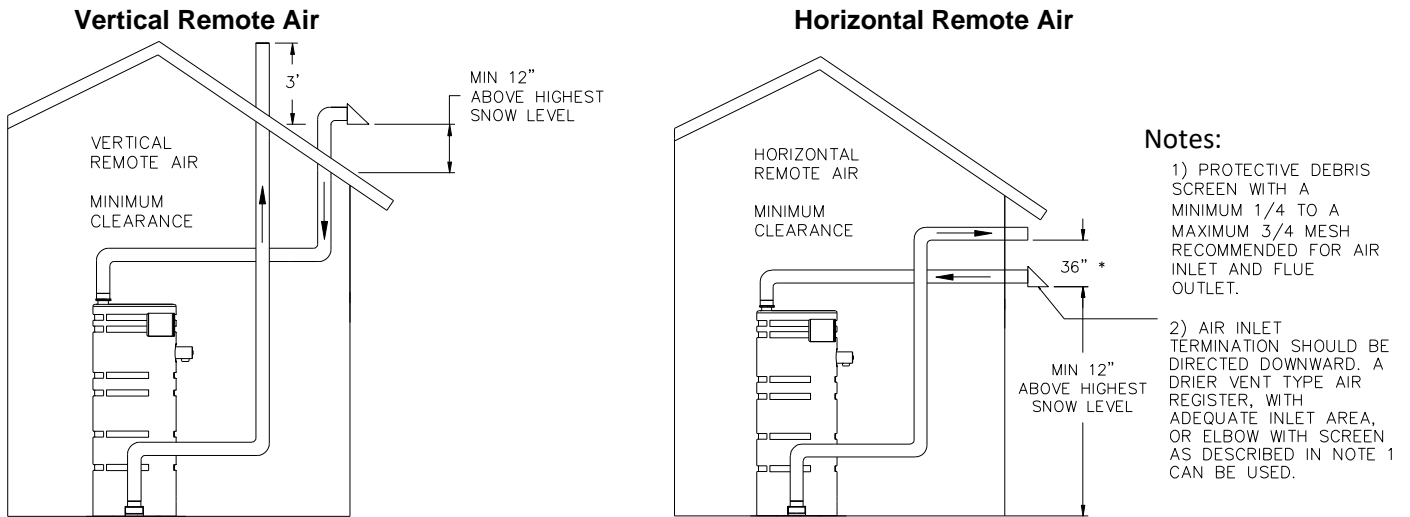
CONQUEST® GAS BURNERS

7.3 Remote Combustion Air Cap

A suitable remote air termination must be used to prevent water, debris, animals or obstructing material from entering the remote air supply.

7.4 Vertical or Horizontal Remote Air Duct Termination

- Air inlet must be located no less than 3 feet (0.91m) below the exhaust terminal if they are within 10 feet (3.05 m) of each other, unless the flue outlet terminates with a straight discharge. If the flue outlet terminates with a straight discharge, the air inlet can be located no less than 18 inches (0.46m) below the exhaust terminal.
- If terminating through the roof, the air inlet must terminate at least 12 inches (0.3 m) above roof level and at least 12 inches (0.3 m) above snow levels.
- If terminating through a sidewall, the air inlet must terminate at least 12 inches (0.3 m) above grade and/or at least 12 inches (0.3 m) above possible snow levels.



* When flue outlet is terminated with a straight discharge, separation of terminations must be a minimum of 18".

7.5 Combining Remote Air Ducting

Each water heater **MUST** have separate intake piping, unless the air inlet piping, exhaust duct and other system considerations have been fully evaluated and a combined duct system designed by one of the duct design firms identified at www.pvi.com/resources/documents-and-tools. Before operation of a combined remote air ducting system, all of the duct design firm's system installation and operation requirements must be in place, their instructions followed and the system must be properly maintained.

Combined Conquest air intake piping must incorporate a variable speed blower capable of providing and regulating positive pressure air supplied to all water heaters in the system. **The pressure of the supplied air must not be less than 0.0 W.C. and must not exceed 0.25" W.C.**

The common combustion air supply system must be interlocked, so the water heaters will not begin operation until the common combustion air supply is proved to be within the range of 0.0 to 0.25" W.C. See Section on **Remote Connections** for a discussion of how to connect the proving circuit.

WARNING: Do not combine remote air ducting of multiple appliances into a single remote air duct unless the combined remote air ducting system has been evaluated and designed by a specified duct design firm and the combined remote air duct system is installed, operated and maintained following instructions from that firm. Combining remote air ducting without following these requirements can result in failure of the water heater and venting system and/or exposure to carbon monoxide and can result in property damage, personal injury or death.

CONQUEST® GAS BURNERS

8 VENTING

8.1 Venting the CONQUEST:

All Conquest models use the positive pressure generated by the burner system blower to push combustion products out of the vent. Since the vent system is under positive pressure and must be capable of containing condensate, it must be constructed of schedule 40 solid PVC or CPVC pipe. Use of cellular core PVC (ASTM F891), cellular core CPVC, or Radel® (polyphenylsulfone) in nonmetallic venting systems is prohibited. Polypropylene or single or double wall stainless steel venting listed by ETL, UL, ULC or CSA for Category IV positive pressure gas appliance venting may be used instead of solid PVC or CPVC plastic pipe venting.

IMPORTANT: If the cold inlet water temperature is above 100°F, then solid CPVC or ETL, UL, ULC or CSA listed polypropylene or stainless steel venting is required and the vent limit switch must be adjusted for the higher temperature rating allowed by these vent materials. (See Section 10.6 – Changing the Vent Material Type.)

Utilisez une catégorie IV PVC, CPVC ou ETL, UL, ULC ou CSA acier inoxydable ou inscrits conduit d'évacuation en polypropylène. Ne sélectionnez pas la taille du tuyau de ventilation basée uniquement sur le diamètre raccord de l'appareil.

Follow the instructions below for installing solid PVC or CPVC pipe. For other listed vent materials, follow the vent manufacturer's instructions for installation, sealing, supporting and terminating their vent system. Covering non-metallic vent pipe and fittings with thermal insulation is prohibited.

The stainless steel vent connection located near the front of the water heater is 4-1/2" O.D., to accept a 4 inch PVC or CPVC pipe coupling. A reducer coupling may also be used to accommodate smaller or larger vent pipe. (See Maximum Vent Length tables). Do not use a barometric damper with the Conquest positive pressure vent.

The Conquest water heater can be vented either vertically, through a ceiling or roof, or horizontally through a wall. The Conquest is a Category IV positive pressure gas appliance venting and can be routed to the outdoors in any direction, from the flue outlet of the water heater, except down. The vent must be installed and supported at least every four feet to slope downward toward the water heater vent connection with at least ¼ inch drop per linear foot of horizontal vent run, to allow proper drainage of accumulated condensation. The venting system shall also have a means for collection and disposal of condensate. All penetrations through walls and roofs must be weather and gas tight, such that rain and products of combustion cannot pass from outdoors back indoors.

Additional steps required when venting with solid PVC or CPVC pipe:

1. Read and follow the information, instructions and warnings in "VENTING" section.
2. Do not insulate the plastic vent pipe.
3. Design the vent pipe route so that normal expansion (pipe getting longer) and contraction (pipe getting shorter), due to on and off temperatures, does not bind or put stress on cemented pipe fittings.
4. A 4 inch pipe coupling must always be the first fitting attached to the Conquest vent connection when using a PVC or CPVC vent system. If a listed stainless steel or polypropylene Category IV vent system is used, the correct adapter for attaching and sealing to the Conquest 4-1/2 inch O.D. vent connection must be obtained from the manufacturer of the vent system to be installed.
5. For PVC or CPVC, dry-fit the 4" pipe coupling onto the Conquest vent connector. Then remove the coupling and apply a liberal coating of room temperature vulcanizing (RTV) adhesive to the outside of the vent connector and to the inside of the plastic pipe coupling. Before the RTV sets, slide the coupling over the vent connector while rotating approximately 1/8 of a turn. Inspect and apply additional RTV to the joints, if needed to provide a sound air and water tight seal.
6. Drill a pilot hole through the PVC or CPVC coupling flange and into the center of the stainless steel vent connector flange in three equally spaced locations around the pipe. Drive stainless steel sheet metal screws through the pilot holes to attach and firmly hold the plastic coupling onto the vent connector flange.
7. Clean and deburr all solid PVC or CPVC pipe ends, then trial assemble the entire vent system vent before joining with cement. Mark the pipe and fittings to identify their locations, then disassemble. Reassemble the vent system using fresh PVC cement to connect PVC pipe and fresh CPVC cement to connect CPVC pipe. If both solid PVC and solid CPVC pipe are used in the same vent system, all joints between the two types of pipe must be made with fresh cement suitable for both materials. Follow the cement manufacturer's instructions for making sound air and water tight joints.
8. Vent support – For PVC or CPVC, the vent system must be supported at intervals no greater than four feet, to prevent sagging, distortion and stress on pipe fittings. Vertical pipe must also be supported to avoid stress on all cemented pipe fittings and to prevent putting excessive weight on the appliance vent connection. For listed stainless steel or polypropylene vent system, follow the vent system manufacturer's instructions.

CONQUEST® GAS BURNERS

9. Testing for leaks – Once the vent system is installed, it must be checked to confirm all joints in the vent system are air and water tight. After the vent is assembled, close the end of the vent with a taped plastic bag or some other temporary closure. With the gas supply turned off, energize the Conquest combustion blower to apply air pressure to the vent system. Spray each joint and vent connection with commercially available leak detection liquid to confirm no air is escaping from any point. Repair any leaks and retest. After testing is complete, de-energize the combustion blower, wipe clean the leak detection liquid and REMOVE the temporary vent closure.
10. The vent pipe must be sealed at the point where it passes through a wall or roof, to prevent rain, insects or flue products from entering the living space or interior of the building.
11. For proper vent operation and to protect the gas vent from wind and weather, attach a UL listed vent termination to the outdoor end of the vent or otherwise provide suitable termination to prevent wind, water, debris or animals from obstructing or entering the vent. The vent for this appliance shall not terminate:
 - 1) over public walkways; or
 - 2) near soffit vents or crawl space vents or other areas where condensate or vapor could create a nuisance or hazard or cause property damage; or
 - 3) where condensate vapor could cause damage or could be detrimental to the operation of regulators, relief valves, or other equipment.
12. Do not use a barometric damper with the Conquest venting system. Barometric dampers are designed for use with certain Category I negative pressure vent systems. The Conquest uses certain Category IV positive pressure vent systems and will not operate safely with a barometric damper.

WARNING: Use only solid PVC or CPVC pipe or use Polypropylene or stainless steel venting (single or double wall) listed by a nationally recognized testing laboratory for Category IV positive pressure gas appliance venting. Use of ABS pipe, or use of PVC or CPVC pipe with cell/foam type construction or use of use of venting materials other than specified in these instructions can result in failure of the venting system and/or exposure to carbon monoxide or other toxic fumes, which can result in property damage, personal injury or death.

WARNING: Do not vent this water heater into an existing or traditional gas vent or chimney, do not combine the vent with any other appliance and do not use a barometric damper in the vent. Such venting could result in failure of the venting system and/or exposure to carbon monoxide which can result in property damage, personal injury or death.

8.2 Maximum Vent Length (Equivalent Length)

The maximum length of field supplied Category IV vent is shown in the chart below:

Maximum Allowable Equivalent Vent Length / Max Elbows			
Duct Size	3" Duct	4" Duct	6" Duct
Max Equivalent Length Model 20	100 feet/4	200 feet/10	250 feet/10
Max Equivalent Length Model 25 & 30	100 feet/4	150 feet/7	250 feet/10

Pipe fittings reduce the maximum allowable vent length. Use the Category IV vent manufacturer's equivalent length deduction for all elbows, terminations, etc. If the information is not readily available from the vent manufacturer, use the Vent Fitting Equivalent Length chart below to find the total equivalent length for all vent fittings in your combustion air system. Then subtract this number of feet from the total equivalent length allowed in Maximum Category IV Vent Equivalent Length chart above. The sum of this calculation is the maximum length of straight vent allowed. If a longer length is required, repeat the calculation using a larger vent size. When using this chart, no additional deduction is required for the addition of the vent system terminal.

Vent Pipe Fitting Equivalent Length for Model 20						
Vent Pipe:	PP * 3" Vent	Other ** 3" Vent	PP * 4" Vent	Other ** 4" Vent	PP * 6" Vent	Other ** 6" Vent
90° Elbow	22 feet	18 feet	12 feet	10 feet	6 feet	5 feet
90° Long Radius Elbow	12 feet	10 feet	9 feet	7 feet	4 feet	3 feet
45° Elbow	12 feet	10 feet	9 feet	7 feet	4 feet	3 feet

* PP = polypropylene

** Other = PVC, CPVC or Stainless Steel

CONQUEST® GAS BURNERS

Vent Pipe Fitting Equivalent Length for Model 25 & 30						
Vent Pipe:	PP * 3" Vent	Other ** 3" Vent	PP * 4" Vent	Other ** 4" Vent	PP * 6" Vent	Other ** 6" Vent
90° Elbow	22 feet	20 feet	17 feet	15 feet	11 feet	10 feet
90° Long Radius Elbow	12 feet	10 feet	11 feet	9 feet	7 feet	6 feet
45° Elbow	12 feet	10 feet	11 feet	9 feet	7 feet	6 feet

* PP = polypropylene

** Other = PVC, CPVC or Stainless Steel

The following vent information is provided for use in design calculations, if needed.

Venting Specifications		
Input MBtu/h	Combustion Air Volume (cfm)	Max Vent Press. Inch W.C.
199	68	0.5
250	85	0.5
299	103	0.5

8.3 Vertical or Horizontal Vent Termination:

1. The vent terminal must have a minimum clearance of 4 feet (1.22 m) horizontally from, and in no case be located above or below, unless a 4 foot (1.22 m) horizontal distance is maintained from electric meters, gas meters, regulators and relief equipment.
2. The vent cap must terminate at least 3 feet (0.91 m) above any forced air inlet within 10 feet (3.05 m).
3. The vent shall terminate at least 4 feet (1.22 m) below, 4 feet (1.22 m) horizontally from or 1 foot (0.3 m) above any door, window or building air inlet to the building.
4. The vent system shall terminate at least 1 foot (0.3 m) above grade and at least 1 foot (0.3m) above possible snow accumulation levels and shall terminate at least 7 feet (2.13 m) above grade when located adjacent to public walkways or gathering areas.
5. To avoid a blocked flue condition, keep the vent cap clear of snow, ice, leaves, debris, etc.
6. The vent must not exit over a public walkway, near soffit vents or crawl space vents or other areas where condensate or vapor could create a nuisance or hazard or cause property or could be detrimental to the operation of regulators, relief valves or other equipment.
7. A horizontal vent must extend one foot beyond the wall.
8. A horizontal vent terminal must not be installed closer than 3 feet (0.91m) from an inside corner of an L-shaped structure.
9. A vertical vent must exhaust outside the building at least 3 feet (0.91m) above the point of the exit and at least 2 feet (0.61 m) above the highest point of the roof within a 10-foot (3.05 m) radius of the termination.
10. A vertical termination less than 10 feet (0.91 m) from a parapet wall must be a minimum of 2 feet (0.61 m) higher than the parapet wall.

8.4 Combining Category IV Vents

1. Combined Conquest Category IV gas vent systems must incorporate an Exhausto, Tjernlund or US Draft variable speed, modulating, mechanical draft inducer capable of maintaining the appropriate negative draft at the end of the common flue, to assure that all water heaters in the combined vent system operate with a negative draft. **Do not exceed negative 0.25" W.C.** See "Combining Vents with a Draft Inducer" illustration below.
2. Combining the exhaust vents of multiple Conquest condensing water heaters into a common, unpowered or "gravity" vent is never recommended (i.e. venting as Category II). Conquest water heaters are too efficient and their flue products are too cold to generate the natural buoyancy required for such combined vent systems to function reliably and safely.
3. The common mechanical draft vent system must be interlocked, so the water heaters will not begin operation until the common mechanical draft vent system negative pressure is proved to be within the range of 0.04" and 0.25" W.C. See Section on **Remote Connections** for instructions for how to connect the proving circuit.

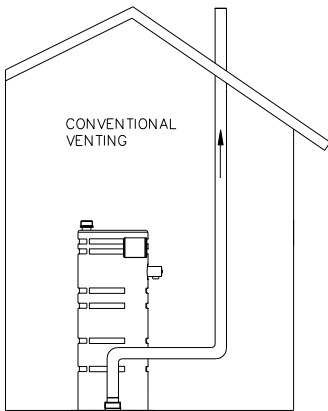
CONQUEST® GAS BURNERS

When combining the exhausts of multiple Conquest water heaters do not use individual remote ducts to provide outdoor combustion air.

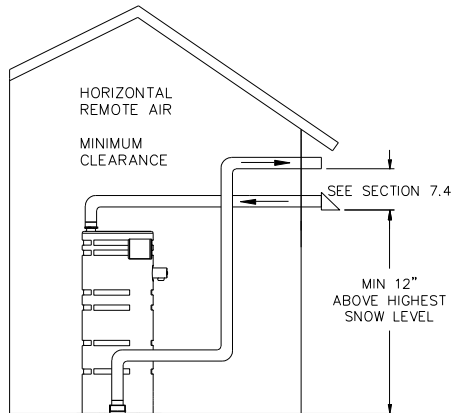
4. When exhaust vents are combined, it is necessary to either:
 - a. Draw all combustion air for each heater from the mechanical room in which they are installed, or
 - b. Use a common air supply system that is designed and installed by a qualified professional firm and that meets all the requirements contained in Subsection **Combining Remote Air Ducting**, which is located in the **COMBUSTION AND VENTILATION AIR** Section of this manual.

WARNING: Do not connect multiple water heaters vents into a single unpowered or fixed speed powered vent. This could cause unsafe operation and the potential for poisonous carbon monoxide to enter occupied areas. Such improper installation can cause property damage, exposure to hazardous materials, personal injury or death.

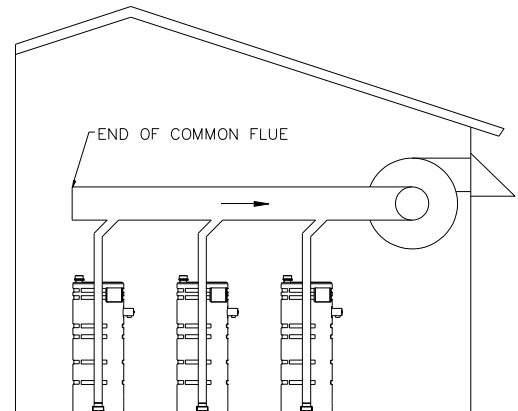
Conventional Venting



Through the Wall Venting



Combining Vents with a Draft Inducer



8.5 Optional Concentric Vent for Combustion Air and Exhausting Flue Products

To provide a single sidewall or roof penetration that is capable of providing both combustion air and flue exhaust termination, each Conquest water heater must be installed using an IPEX System 636™ Concentric Vent Termination Kit. Both the IPEX System 636™ PVC and CPVC Flue Gas Venting Systems are third party tested and listed to ULC S636 and comply with the non-metallic vent listing requirements in CSA B149.1 Natural Gas and Propane Installation Code.

The following IPEX System 636™ Concentric Vent Termination Kits are available through PVI for Conquest water heaters:

PVI Part No.	Description
122555	KIT, VENT CONCENTRIC 4 PVC IPEX #196021 for PVC (4" x 36")
122367	KIT, VENT CONCENTRIC 4 CPVC IPEX #197021 for CPVC (4" x 36")
124574	KIT, VENT CONCENTRIC 3 PVC IPEX #196106 for PVC (3" x 32")
127319	KIT, VENT CONCENTRIC 3 CPVC IPEX #196107 for CPVC (3" x 32")

Each IPEX System 636 vent kit includes or specifies the required pipe, fittings, hardware, adhesives and Installation instructions. Follow the IPEX Installation instructions and use only the materials and adhesives it specifies. Additional copies of the Installation Guide for the IPEX System 636 concentric vent kit and additional information is available at www.ipexinc.com or www.pvi.com/resources/documents-and-tools.

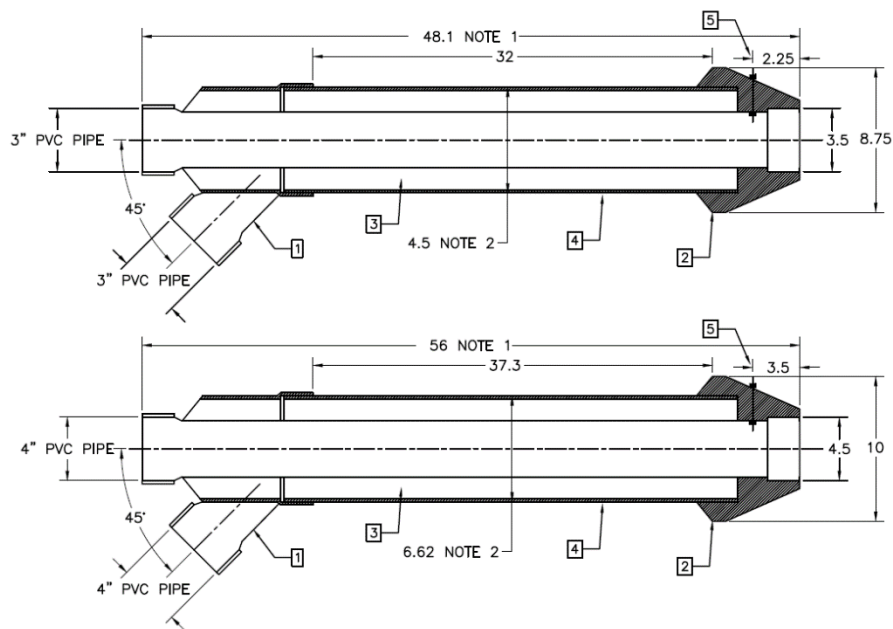
When using concentric vent termination kits, all combustion air duct, all exhaust vent pipe and the IPEX concentric vent kit material types must be the same. If the Conquest is installed with a PVC exhaust vent pipe, then the combustion air duct and the IPEX concentric vent kit must also be made of PVC. If the Conquest is installed with a CPVC exhaust vent pipe, then the combustion air duct and the IPEX concentric vent kit must also be made of CPVC.

CONQUEST® GAS BURNERS

WARNING: Follow the Installation instructions provided with the listed IPEX Concentric Vent Kit, using only the pipe, fittings and cement included or specified in the IPEX installation instructions. Failure to follow the IPEX installation instructions or to use pipe, fittings or cement not included or specified in the IPEX installation instructions could result in an unreliable vent assembly or installation that can cause the potential for hazardous products of combustion to enter occupied areas and can cause property damage, exposure to hazardous materials, personal injury or death.

The following information describes the components and installation methods for the IPEX System 636 Concentric Vent Termination Kit:

ITEM NO.	DESCRIPTION
1.	Wye-(Concentric)
2.	Rain Cap
3.	Exhaust Vent Pipe (Inner)
4.	Fresh Air Intake Pipe (Outer)
5.	Stainless Steel Screw & Nut



Notes:

- Dimension may be shortened to a minimum of 12". Inner pipe (item 3) must remain 10 inches longer than the outer pipe (item 4). Cut pipe ends square and solvent cement as outlined in the System 636 installation manual.
- Installation cutout should be at least 7 1/8". Lengthening the units is not permitted.

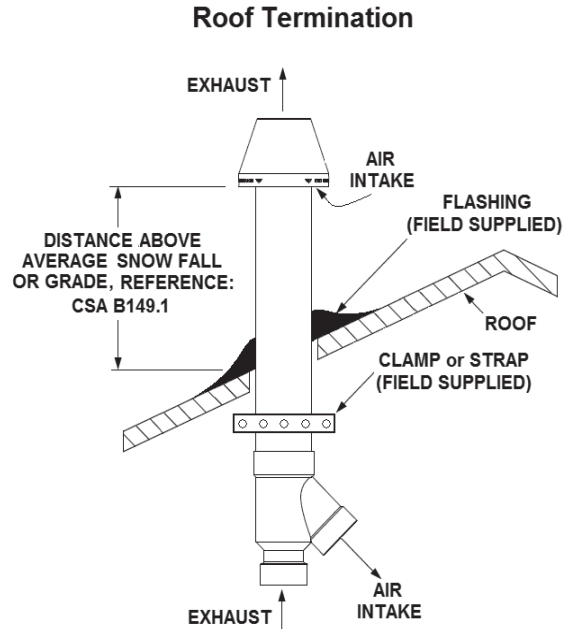
Concentric Vent Connections to the Vent pipe and Remote Air Inlet Duct

1. A Conquest model (20, 25, 30) L 100 A-GCL can obtain combustion air and exhaust products of combustion through 3, 4 or 6" exhaust IPEX System 636 Concentric Vent Termination Kit.
2. Do not exceed the maximum allowed combustion air duct and vent pipe equivalent lengths provided in this Installation & Maintenance Manual. Remember to include the IPEX System 636 Concentric Vent Termination Kit in the maximum equivalent calculation. When calculating the additional length added by the IPEX kit, use the diameter of the IPEX kit combustion air duct connection as the combustion air duct diameter.
3. Select a concentric vent kit which matches the material type of the Conquest flue gas pipe as described in the Section titled "Optional Concentric Vent for Combustion Air and Exhausting Flue Products" and is the same size as the Conquest flue gas pipe, except that six inch Conquest venting can be used with a 4" IPEX concentric vent kit when installed as described in the following instruction.
4. When using an IPEX System 636 Concentric Vent Termination Kit connected to 6" PVC or CPVC vent and remote air duct, use locally available fittings of the same material as the Kit to reduce from 6" to 4", immediately before connecting to a 4" IPEX Concentric Vent termination Kit. The reduction from 6" to 4" does not change the maximum allowed equivalent vent length or the maximum number of elbows for 6" pipe.

CONQUEST® GAS BURNERS

Concentric Vent Kit Assembly, Installation and Support

1. Follow the concentric vent kit instructions to properly assemble the kit.
2. Follow the concentric vent kit instructions to locate and cut a hole in the roof or wall large enough to accommodate the largest dimension of the kit. The size of the hole can vary greatly, depending on the roof pitch.
3. For the IPEX System 636 Concentric Vent Kit, following the procedures outlined in the System 636 Installation Guide:
 - a. Use the solvent cement specified in the installation guide to connect the inner pipe to the concentric Wye fitting, then connect the outer pipe to the concentric Wye fitting using the specified solvent cement.
 - b. Slide the assembly through the roof or wall penetration. (Install flashing if needed)
 - c. Kits must be securely fastened to structure, to ensure dimensions shown below are maintained.
 - d. Straps are field supplied. Use straps, clamps or equivalent that will not score or damage the pipe. Do not constrain or clamp the vent system anywhere between the appliance and the vent termination point such that it is unable to expand or contract as it heats and cools during operation.
 - e. The weight of the concentric kits must be supported by clamps/straps and not by the vent system it connects to.
 - f. All penetrations must be sealed according to local building codes. Caulking for side wall terminations and flashing for roof penetrations are typical. Use only PVC/CPVC compatible sealing material, contact IPEX for a complete list
 - g. Attach the rain cap. To mechanically attach the rain cap to allow for removal and cleaning the cap, follow the instructions located in the section titled **Mechanically Fastened Rain Cap**. The rain cap can also be permanently attached to the inner pipe with the solvent cement specified in the Installation Guide. Whether mechanically or permanently attached, the outer pipe is only a friction fit with the cap.
 - h. Once the rain cap is installed and the kit secured, the kit can be connected to the venting system
 - i. For multiple horizontal installations, keep Concentric Vent Kit gaps close (up to 4" apart) or over 24" apart. When installing three or more horizontal vents, consult the IPEX 636 installation manual.
 - j. Contact IPEX at www.ipexinc.com, if additional System 636 Concentric Vent Termination Kit assembly or installation guidance is needed.

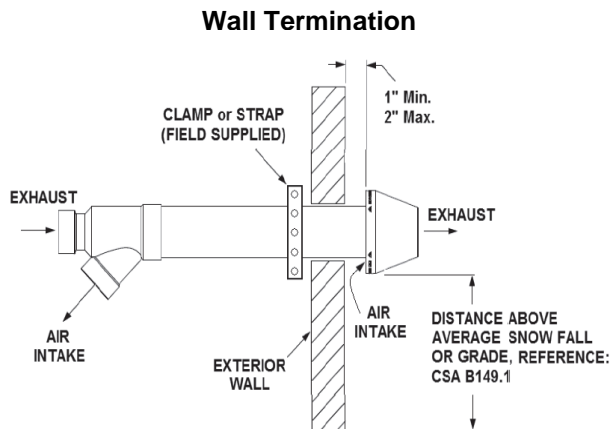


CONQUEST® GAS BURNERS

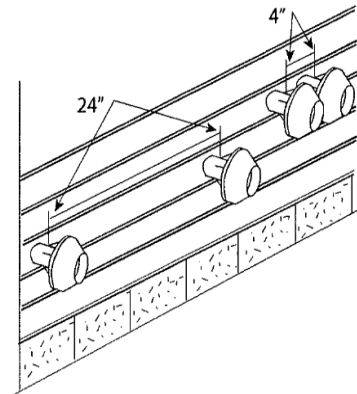
Mechanically Fastened Rain Cap

The Rain Cap must be installed with the supplied Stainless Steel screw and lock nut, and in accordance with instructions and diagram below.

1. Locate the drill location dimple on the outside of the rain cap.
2. At this location, drill through the cap and the inner pipe wall. Ensure that the path of the hole is perpendicular to the inner pipe NOT the outside of the cap. For the 3" kit, drill a 3/16" hole, for the 4" kit, a 1/4" hole.
3. Insert the screw and tighten the bolt, do not over tighten.



Sidewall Termination for Multiple Horizontal Concentric Vent



8.6 Connecting to an Existing Vent System

Do not connect the Conquest to an existing vent system, until it has been confirmed the existing vent system complies with all requirements for a new vent system. A venting system in full compliance with the instructions provided in this manual is required for safe and reliable operation of the Conquest. Do not connect the Conquest to a masonry chimney.

WARNING: Before operating the appliance connected to an existing vent system, confirm the vent system complies with all guidance and requirements for a new vent system specified in this manual. Failure to confirm the existing vent system complies can result in unsafe operation and the potential for poisonous carbon monoxide to enter occupied areas and can cause property damage, personal injury, exposure to hazardous materials or death.

9 OPERATING AND SAFETY CONTROLS

9.1 Temperature and Pressure Relief Valve(s)

A Temperature and Pressure Relief Valve(s) sized in accordance with the ASME Boiler and Pressure Vessel Code, Section IV HLW is installed in the tank.

WARNING: Secure the relief valve discharge pipe to a suitable floor drain such that very hot water does not openly splash during a significant relief valve discharge. If the relief valve discharge pipe is not routed and secured to a suitable drain, hot water discharge can result in property damage, scalding and personal injury or death.

- Follow the temperature and pressure relief valve manufacturer's installation instructions and all local, regional and national codes applicable to temperature and pressure relief valve installation and discharge piping.
- The relief valve discharge pipe must not be smaller than the relief valve opening and must be secured to prevent it from lifting out of the drain under discharge pressure and must be routed to allow complete drainage of the valve and line.
- Do not plug the relief valve (s) or install a reducing coupling, valve or other restriction in the relief valve(s) discharge line(s), as this will eliminate the critical water temperature and pressure protection it provides.
- Thermal Expansion - A relief valve that periodically discharges may result from thermal expansion if the water heater is installed in a system closed by components, such as a backflow preventer or check valve in the cold water supply. These systems must be provided with means to control expansion. Contact a water heater or plumbing professional to resolve this situation.

CONQUEST® GAS BURNERS

WARNING: Do not plug the relief valve(s), use discharge piping smaller than the relief valve opening or install a reducing coupling, valve or other restriction in the relief valve discharge line. Failure to comply with these relief valve and discharge piping requirements can prevent the relief valve from providing its intended temperature and pressure protection, which can result in a sudden loss of pressure containment that can cause property damage, exposure to hazardous materials, personal injury or death.

9.2 Cathodic Protection

PVI water heaters do not utilize cathodic protection. However, in hot water systems utilizing cathodic protection, hydrogen gas can be produced when the hot water system has not been used for a long period of time (generally two weeks or more). **Hydrogen gas is extremely flammable.** To prevent the possibility of injury under these conditions, one of the hot water system faucets should be opened for several minutes before using any electrical device connected to the hot water system. If hydrogen is present, there will be an unusual sound such as air escaping through the pipe as the hot water begins to flow. Do not smoke, have open flames or turn electrical switches on or off near the faucet at the time it is open.

9.3 Electronic Low Water Cut-Off

When the water level is above the electrode position in the tank, the reset pushbutton will energize the control (LED will be lit). The control remains energized until the water level drops below the electrode position (LED will not be lit). Unless otherwise specified, there is a three-second time delay on decreasing level. Water level must be below tank probe location for full three seconds before control de-energizes. In the event that a low water condition occurs, a failure message will be displayed on the controller touch-screen. This failure lockout can be reset by pressing the LWCO RESET button located on the front control panel. Once the LWCO control board has been reset, the Main Reset button located on the front control panel can be reset as well.

The Electronic Low Water Cut-Off probe is located in the top head of the water heater.

WARNING: Turn off all electrical service to the appliance when accessing the limit or other controls located inside the control cabinet or inside the burner vestibule inside the top of the appliance. Close and fasten the control cabinet and burner vestibule cover before restoring electrical service to the appliance. The cabinet and burner vestibule contain High Voltage wiring and terminals. If the electrical service is not turned off and these terminals are touched, a dangerous shock causing property damage, personal injury or death could occur.

Coupez l'alimentation avant intervention sur l'appareil.

9.4 Operating Temperature Control

An adjustable digital operating control is located in the front control panel. The control is factory pre-set at approximately 120°F. See Water Heater Control Panel, Section 10.1, in this manual for more information.

Le thermostat est réglé à environ 49 degrés Celsius. Températures de l'eau supérieures à 52 degrés Celsius peut causer instantanément de graves brûlures ou la mort de brûlures. Suivez les instructions dans le manuel d'installation pour modifier la température de l'eau.

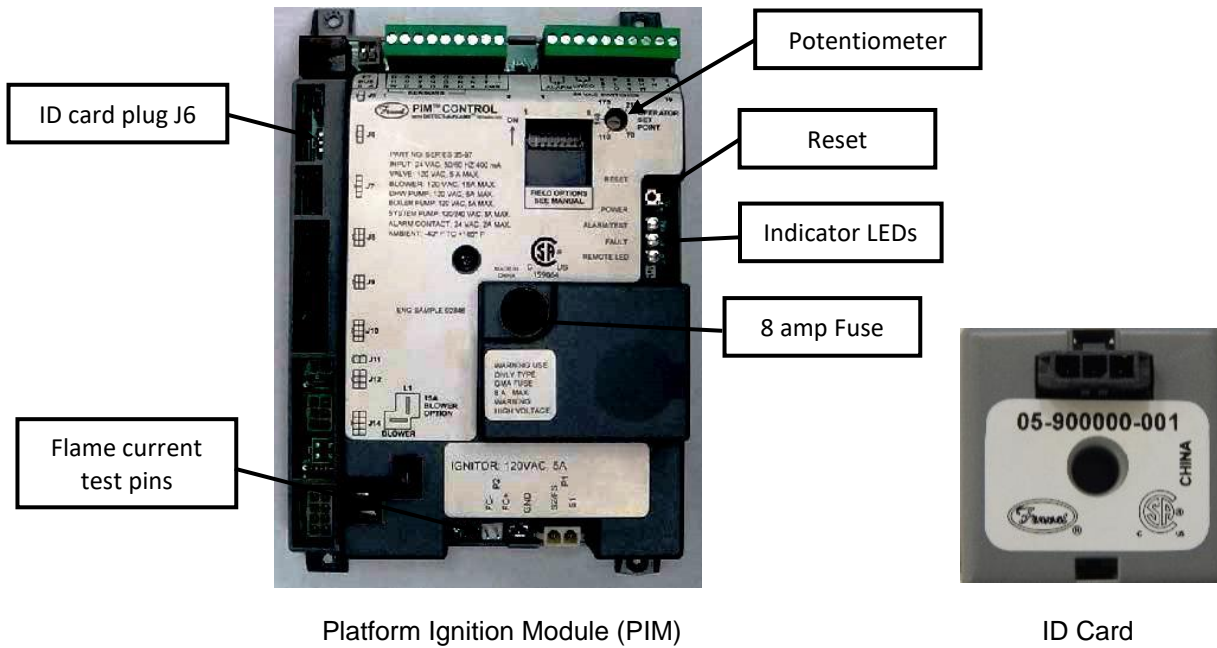
9.5 High Water Temperature Limit

The Electronic Operating Control System (EOS) includes a single probe that contains the limit and the operating sensor. Since both these sensors are in the same location in the heated storage tank, the EOS checks to be sure their output is within a degree or two of each other. If not, or if the maximum water temperature exceeds 200°F, the EOS will lockout and the manual reset button on the control panel must be pressed before the heater will resume operation.

CONQUEST® GAS BURNERS

10 THE ELECTRONIC OPERATING SYSTEM (EOS)

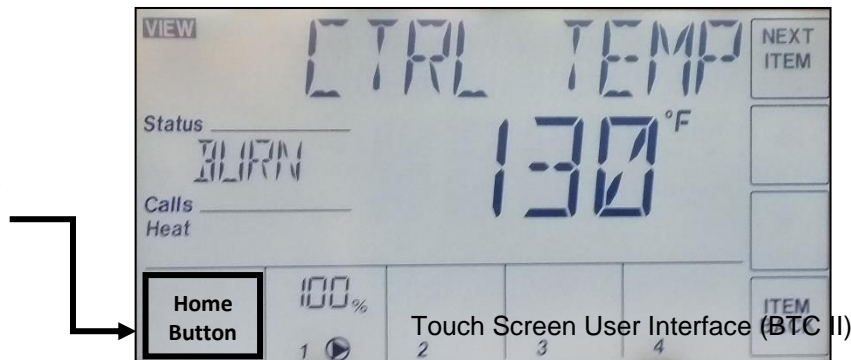
The Conquest EOS consists of three components: The **Platform Ignition Module (PIM)**, plug-in **ID card** and the **Control Display**. The PIM is connected to the control display using an RJ485 patch cable. All communication between the PIM and control display as well as the power to the control display is through this cable.



Platform Ignition Module (PIM)

ID Card

Home Button.
Return to the 'Home' Screen from any menu.
Press and hold for 3 seconds to access the programming menus.



Digital Control Display with Touch Screen User Interface

10.1 Touch Screen User Interface

The touchscreen of the EOS provides one touch access to view and adjust various Menu set points. The touchscreen displays Status Fields, Items, Heater Output and Number Fields. It also contains buttons for navigation & adjustment, and the Home Button to access menu selections.

CONQUEST® GAS BURNERS

10.2 Status Field Display

The Status Field displays the current operating status of the control display. Most items in the status field are only visible when in the View Menu or an alarm condition is present.

Item	Description
SANI	Sanitation Mode is active. Momentarily energizes a field installed sanitation pump and operates heater at an elevated setpoint temperature.
HAND	Hand Mode has been activated in the Manual Override Menu. This function allows the user to manually control the operation and firing rate of the burner.
OFF	The Off mode indicates that the system has been disabled in the Manual Override Menu.
PURG	The Purge mode indicates that individual pumps have been activated in the Manual Override Menu.
IDLE	The EOS is Idle do to no demand for heat
ARSW	The EOS is attempting to purge but waiting for the air proving switch to prove blower air flow
PREP	The EOS is Pre-Purging the burner system
IGN	The Hot Surface Igniter is hot and the gas valve has opened to attempt burner ignition (4 seconds)
BURN	The Burner has ignited and the flame has been sensed.
POST	The Call for Heat has ended and the EOS is Post-Purging the burner system

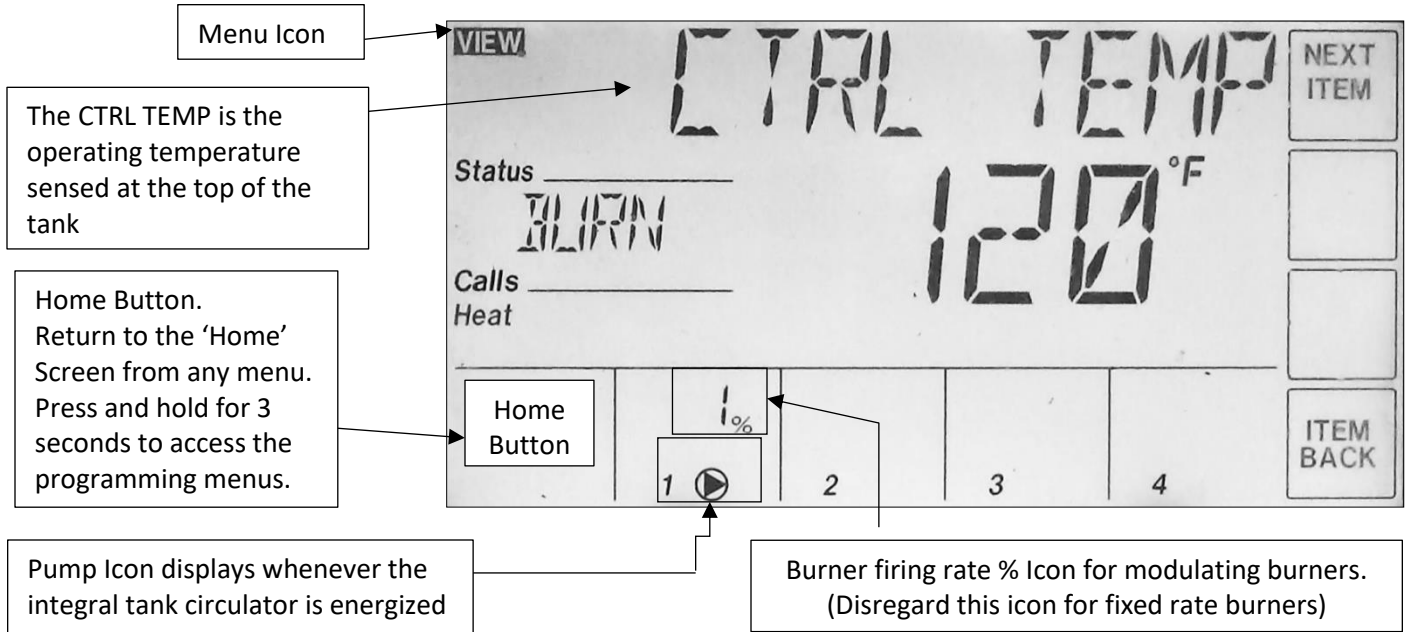
10.3 Operational Sequence Field Display

The EOS displays the following burner operational sequence, ignition status, timings, temperatures and values:

Item	Value Displayed	Description
SATISFIED	°F	No Call For Heat based on temperature sensed at control sensor at the top of the tank
CALL FOR	HEAT	Initiated when the temperature sensed at the control sensor at the top of the tank is 5 degrees less than the setpoint temperature.
BLOWER	mm:ss	Displays the pre-purge time countdown until the igniter heat up begins
IGNITION	mm:ss	Displays heat up time until gas valve opens
CURRENT	0 - 10.0 µA	Flame Current (µA)
CTRL TEMP	°F	Flame is established and the temperature sensed at the control sensor at the top of the tank is displayed.
BLOWER	mm:ss	When the call for heat has ended, the post purge time countdown is displayed.

CONQUEST® GAS BURNERS

10.4 View Menu (Home Screen - Default Display)



The **View Menu** is the default display (home screen) of the EOS control system. The View Menu displays general information about the water heater's operation and status. The default display includes a Burner Firing Rate % Icon for modulating units (disregard this icon for fixed rate burners), a Pump Icon that is visible whenever the integral tank circulator is energized and Failure Messages if the unit is in an alarm or error condition.

Use the **Next Item** and **Item Back** buttons to scroll and view the View Menu Item Fields and their associated values. The Item Field descriptions are listed below:

Item Field	Description
SETPOINT	Display screen displays the current operating set point but does not allow the user to make changes in this menu.
VENT	Displays the current flue gas temperature as measured by the flue gas sensor located in the flue outlet.
TANK TOP	Displays the current temperature at the top of the water heater tank as measured by the operating control sensor located near the hot outlet.
TANK BOT	Displays the current temperature near the bottom of the water heater tank as measured by the control sensor responsible for regulating the operation of the integral tank circulator.
TANK ΔT	Displays the current temperature difference between the TANK TOP and the TANK BOT sensors.
FLAME CUR	Displays the burner flame current in approximate μA dc. Since this is an approximation it is recommended that a flame current measurement be taken at the PIM control board using a micro-amp meter.
TIME	Displays the real time as programed in the TIME menu.

CONQUEST® GAS BURNERS

10.5 Control System Menus

The control display has multiple access levels. System critical settings will not be available for adjustment. The settings which can be adjusted by the user will display UP and DOWN adjustment arrows on the right side of the display screen. These programmable menu items are located in the **Control System Menu**.

To access the Control System Menu:

1. Press and hold the **Home** button for 3 seconds.
2. Touch **Next Item** to navigate to the next menu. Touch **Item Back** to go reverse.
3. Touch **Enter** to enter and change user accessible menu item settings in the control system menus.
4. Most settings are in the USER access level. Other setting will be located in the INSTaller or ADVanced access level depending on the necessity for field adjustment. **See Using the Tool Box Menu for details.**

Control System Menu Descriptions

Menu	Description
SETUP	Displays and modifies the temperature control set points for the burner, integral tank circulator
SOURCE	Displays many factory programmed settings for this product. The settings which can be adjusted by the user will be indicated by the appearance of the up and down adjustment arrows
MONITOR	Displays operational information such as water and vent temperatures, hours of operation, and number of cycles
TIME	Sets the time, day and year. Setting the time clock is necessary when using the scheduled setback
SCHEDULE	Allows the user to create a schedule for reducing the water heater set point when a building is unoccupied for a period of time
NETWORK	Displays and modifies parameters for creating a Modbus communication connection with the water heater
OVERRIDE	Allows the user to assume manual control of the burner operation and pumps
TOOLBOX	Displays alarm message history. Changes User access level and reset to factory default settings

10.6 Changing The Vent Material Type (ADVanced Level Access)

If the cold inlet water temperature is above 100°F, the use of solid CPVC, Polypropylene or Stainless Steel venting is required and the vent limit switch must be adjusted for the higher temperature rating allowed by these vent materials

To Change The Vent Type Value

1. From the View Menu, press and hold the HOME button for 3 seconds to enter the Control System Menu. The first menu displayed is the SETUP Menu.
2. Touch the Next Item or Item Back buttons to navigate to the TOOLBOX menu.
3. Touch the ENTER button to display the ACCESS screen.
4. Depending on the controls software version, the ADVANCED level can be selected using the UP and DOWN arrow buttons. Subsequent software revisions will require that button #4 in the bottom right corner, be pressed and held in order to place the control in the ADVANCED access level.
5. Exit the menu by pressing the HOME button.
6. Use the Next Item or Item Back buttons to navigate to the SOURCE menu.
7. Enter the SOURCE menu.
8. Use the Next Item or Item Back buttons to navigate to the VENT TYPE menu.
9. Using the UP or DOWN arrow buttons, select between the four choices: PVC (default setting), PPS, CPVC or SS.
10. To save the new value, use the NEXT ITEM or ITEM BACK buttons or press the HOME button.

CONQUEST® GAS BURNERS

10.7 Changing The Operating Set Point (USER Level Access)

The water Conquest water heater operates to satisfy the stored water temperature set point of the EOS control. The value of the controls' set point is the desired stored tank water temperature. The unit ships with a factory set point of 120°F.

Although the set point can be displayed in the VIEW menu, it is necessary to enter the CONTROL SYSTEM MENU in order to make adjustments to the water heater set point and other operational parameters.

To Change the Water Heater Set Point

1. From the View Menu, press and hold the **Home** button for 3 seconds.
2. Touch **Next Item** or **Item Back** buttons to navigate to the **SETUP** menu.
3. Touch the **Enter** button to display the **SETPOINT** menu.
4. Adjust the set point value using the **UP** and **DOWN** arrow buttons. The new value will be saved when the screen is advanced to the next menu using the **NEXT ITEM** or **BACK ITEM** buttons or when exiting the menu by pressing the **HOME** button.



10.8 Setting The Real Time Clock (User & Installer Level Access)

The TIME MENU allows the user to program the time of day, the date and the year. A 12 or 24 hour time clock as well as daylight saving time can be selected. When selected, the time clock can be displayed in the VIEW MENU.

1. Press and hold the Home button for 3 seconds to enter the Control System Menu. Use the NEXT ITEM button to scroll to the TIME menu. Press the ENTER button to enter the TIME menu.
2. Use the NEXT ITEM button to move to the first screen. Use the UP & DOWN arrow buttons to set the hour, then press the NEXT ITEM button to enter the value and move to the minute. Once the parameters for the time screen have been entered, move to the date and year screen and enter settings in the same manner.
3. To display the real time clock in the VIEW MENU, select daylight saving time or choose between a 12 and 24 hour clock, use the NEXT ITEM button to move to the correct screen and then the arrow button to select. Save and exit the menu by pressing the Home button.



CONQUEST® GAS BURNERS

10.9 Scheduled Setback (USER Level Access)

The SCHEDULE MENU allows the user to program this water heater to automatically lower the operating set point for times when a facility is not occupied or the use of hot water is curtailed.

1. Enter the SCHEDULE MENU. Activate the schedule function by first turning on the HEAT SCHD using the arrow buttons.
2. There are four setback schedule types. 24hr, 5-2, 5-11 and 7DAY. The 24hr schedule is a daily schedule that will follow the same program every day of the week. The default schedule on the SCHD TYPE screen is the 24hr. All other schedule types are selected using the arrow buttons. The 24hr schedule allows for a 2 or a 4 EVENT/DAY. With the 2 event day, the user can have one occupied time and one unoccupied time per day. The 4 event day will allow for two occupied times and two unoccupied times per day.

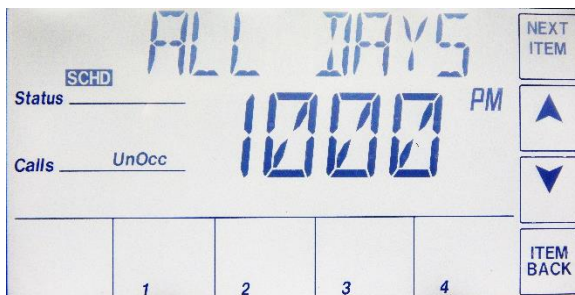
NOTE: The unoccupied set points are programed in the SETUP MENU in the same manner that the occupied set point is adjusted.

For example, a 24hr type and a 4 event day schedule might look like this:

- The 1st occupied time begins at 6:00am and the 1st unoccupied time begins at 11:00am, therefore, between the hours of 6:00am and 11:00am the occupied set point will be used.
- The 2nd occupied period begins at 4:00pm and the 2nd unoccupied time begins at 10:00pm.
- Between the 1st unoccupied time of 11:00am and the beginning of the 2nd occupied period, the unoccupied set point will be used.
- At 4:00pm the 2nd occupied period will begin and the occupied set point will be used until the 2nd unoccupied period begins at 10:00pm.
- From 10pm until 6:00am, the unoccupied set point will then be used.

Notice that schedule times and set points are identified as occupied (**Occ**) or unoccupied (**UnOcc**) here.

3. The 5-2 schedule type gives the user the ability to program a 2 or 4 EVENT/DAY but will also allow for one schedule to be followed Monday – Friday and then another Saturday and Sunday.
4. The 5-11 schedule type gives the user the ability to program a 2 or 4 EVENT/DAY but will also allow for one schedule to be followed Monday – Friday and then separate schedule Saturday and another Sunday.
5. The 7DAY schedule type gives the user the ability to program a 2 or 4 EVENT/DAY for each day of the week, Monday through Sunday.



CONQUEST® GAS BURNERS

10.10 Using the Manual Override Menu (ADVanced Level Access)

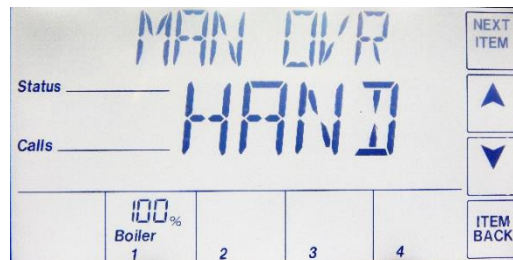
The OVERRIDE MENU is helpful during the initial commissioning as well as anytime burner adjustment is necessary. Manual override controls for the integral tank circulator and the optional SANI pump.

TO ACCESS THE MANUAL OVERRIDE MENU and ENTER THE ADVANCED LEVEL ACCESS

1. Press and hold the Home button for 3 seconds.
2. Touch the Next Item or Item Back buttons to navigate to the TOOLBOX menu.
3. Touch the ENTER button to display the ACCESS screen.
4. Depending on the controls software revision, the ADVanced level can be selected using the UP and DOWN arrow buttons for the first revision. Subsequent software revisions require that button #4 in the bottom right corner be pressed and held in order to place the control in the ADVanced access level.
5. Exit the menu by pressing the HOME button.
6. Use the Next Item or Item Back buttons to navigate to the OVERRIDE menu.
7. Enter the OVERRIDE MENU. Using the arrow buttons, select between the three choices. The default setting is AUTO. In the AUTO position the operating temperature control will work to control the water temperature based on the active set point. When manual control of water heater operation is complete, always return this parameter to the AUTO setting.
8. The second setting is OFF. This setting will stop all control function and prevent the burner from operating.
9. The third setting is HAND. Once enabled, use the NEXT ITEM button to scroll to the next screen. The TIMEOUT setting is a safety precaution that will disable the override function at the end of the specified time period if the MAN OVR setting is not returned to AUTO.
10. The next screen is SAN PUMP. To force on the SANI pump, turn this setting to ON.
11. The next screen is HTR PUMP. To force on the integral tank circulator, turn this setting to ON.
12. The next screen is HTR MOD. This setting will override the operating control and using the up and down arrow buttons, force the burner to fire at the selected firing rate. This function is useful when tuning the operation of the burner at a range of firing rates.

NOTE: If the HTR MOD control is activated while the burner is firing, the burner will shut down and recycle.

WARNING: When adjustments are complete and before putting the water heater into service, return the MAN OVR function back to "AUTO" Failure to return the MAN OVR function to "AUTO" can cause high water temperatures that can result in property damage, scalding, other serious injury or death.



10.11 Potentiometer (Operating Set Point for Standalone Operation)

The PIM Ignition Control will continue to operate the Conquest water heater at a 120 degree internal setpoint should the touch screen control fail, or communication between the two devices is interrupted. This internal setpoint can be adjusted using the potentiometer to maintain a different operating temperature under these circumstances if desired. This feature is intended to be used on a temporary basis, since accuracy of temperature control is dependent upon the touch screen control.

IMPORTANT: It is recommended that at the time of commissioning, the startup technician adjusts the potentiometer to the desired set point displayed in the OPERATOR screen located in the SOURCE control system menu. The standalone set point can be adjusted independently of the touchscreen but a specific setting may be difficult to achieve using the temperature index on the PIM. (See POTENTIOMETER Adjusting the Setpoint.) **NOTE:** If the operating setpoint is ever changed after initial commissioning, the potentiometer should be readjusted as well.



CONQUEST® GAS BURNERS

10.12 Using Tool Box Menu

The TOOL BOX MENU contains several adjustable parameters as well as up to the 15 past alarm messages logged.

1. The first screen in the Tool Box is for the ACCESS level. The three choices available here are USER, INSTaller and ADVanced. Depending on the controls software revision, the ADVanced level can be selected using the UP and DOWN arrow buttons for the first revision. Subsequent software revisions require that button #4 in the bottom right corner be pressed and held in order to place the control in the ADVanced access level. Consult factory before changing any settings requiring an ADVanced access level. Depending on the access level selected, different parameters will become visible and adjustable. Selecting the appropriate access level will make menu navigation easier and minimize the possibility that parameters will be unintentionally changed, resulting in improper operation.
2. The second screen will display the software revision for the touch panel display. Press the enter button to view.
3. The third screen allows the user to turn the display backlight ON continuously, OFF or TMPY will keep the backlight on only during use.
4. The fourth screen allows the user to choose between Fahrenheit and Celsius.
5. All of the following screens will display the most recent alarm messages up to 15. The Status field will show messages beginning with the most recent. This screen will display the time and date of the failure.

10.13 Basic Operational Reference Information

Ext Enable: Terminals R1 – R2, Jumper to enable. Heater ships with jumper on this. An external enable/disable can be attached to this. You can monitor the state of this input. 1 = enabled.

Upper Tank Temp: is a temperature probe in the top of the tank.

High Limit Temp: is a 2nd sensor in the same mechanical probe as the **Upper Tank Temp** probe. This is used as a safety.

Lower Tank Temp: Temperature of the mid-section of the tank, this sensor controls the integral tank circulator pump.

Vent Temp: Temperature of the Flue gasses exiting the heater.

Modulation: Not used on this equipment.

Pump Status: This is the integral circulating pump ON/OFF.

Pump Runtime: Hours on for integral circulating pump.

Discrete connections:

Enable/Disable: R1 – R2 (Input to heater) Closed = ENABLE.

Alarm: A1 & A2 (Output from Heater) Closed = ALARM.

Remote Equipment / Burner ON: P1 – P2 (Output from Heater) Closed – Heater is heating.

Remote Proving: C1 – C2 (Input to heater).

- Closed = Remote device is ready, it is OK to operate the burner.
- Open = Remote device is not ready. If the heater has a call for heat, this will cause an error if not resolved within a few minutes.

CONQUEST® GAS BURNERS

11 COMMUNICATIONS AND DIAGNOSTICS

11.1 Indicators

The PIM has three LED indicators to display operational status and to help diagnose system error conditions:

- Power: Green LED indicating the PIM module is receiving 24 VAC power.
- Alarm/Test: Amber LED which indicates the PIM is in Commission Test Mode or that a diagnostic alarm (fault) is present.
- Diagnostic Code: Red LED that is normally off. During a control or system fault condition, this LED flashes the error codes.

11.2 Alarm Messages – Diagnostic Codes (Flashes)

ALARM MESSAGE	DESCRIPTION OF ALARM	LED Flashes	MODBUS CODE #
ID CARD	The ID card is connected to the PIM control board when the system is initialized for the first time, the ID card selects the control profile to be used. An ID card error may occur when the original card is replaced with an incorrect card or has been disconnected from the PIM control board.	Red LED ON, Green LED OFF	20
INTERNAL FAIL	The PIM control board may have failed. Replace the control board if manually resetting the control does not correct the fault.	Red LED ON	21
CTL SETUP FAIL	Try resetting the defaults in the TOOL BOX menu. If unable to correct, replace the control display	N/A	1
VENT LIM	The vent temperature sensor is approaching the programmed limit. This will force the burner to operate at a reduced firing rate to prevent overheating.	N/A	5
AIR FLOW FAIL	During blower purge periods the air flow proving switch is not closing this circuit. This could be caused by a faulty blower or pressure switch.	1	9
FLAME FLSE	A false flame signal is usually cause by a leaky gas valve which propagates a flame after the call for heat cycle has ended. Check for leakage through the gas valve. If no mechanical cause can be found, replace flame control.	2	19
FLAME FAIL	Flame failure indicates that during the burner ignition process, the burner either failed to light or it did light but no flame signal was detected. If the burner fails to light it is likely that the hot surface igniter (HSI) is faulty or the burner fuel/air mixture is too far out of adjustment to ignite. If the burner lights but immediately go out, check for an inadequate gas supply, faulty gas valve or regulator or poorly adjusted combustion.	3	15
FLAME LOSS	Flame loss indicates that sometime after flame has been established and the burner is operating, the flame signal is lost. This can be caused by a faulty igniter, damaged refractory or combustion that becomes poorly adjusted as the burner modulates to higher inputs.	3	16
LOW HSI	The PIM control board is not sensing the correct amp draw from the HSI (Hot Surface Igniter). This is most likely caused by a faulty or disconnected igniter.	4	23
LOW 24VAC	The 24VAC supply to the PIM control is below the threshold for reliable control operation. This may be caused by low voltage to the heater or a faulty 120/24VAC supply transformer.	5	24
VENT MAX	The vent temperature sensor is used to protect low temperature vent systems from damage caused by high flue gas temperatures. When this alarm occurs, first confirm that the vent material is suitable for the application as well as the limit setting for this control. When this product is operated with high return or inlet water temperature, the flue gas can exceed the rating of low temperature vent systems.	6	17
HTR MAX	The heater high limit temperature safety has exceeded its limit. This condition may be caused by a sensor failure or a faulty control board.	7	18
HTR TOP	Indicates a problem with the top temperature sensor, possibly a broken or shorted sensor wire or failed sensor. NOTE: The top sensor and the high limit sensor or located in the same probe body.	8	11
HI LIMIT	Indicates a problem with the high limit temperature sensor, possibly a broken or shorted sensor wire or failed sensor. NOTE: The top sensor and the high limit sensor or located in the same probe body.	8	14

CONQUEST® GAS BURNERS

HTR BOT	Indicates a problem with the bottom temperature sensor, possibly a broken or shorted sensor wire or failed sensor.	8	12
VENT	Indicates a problem with the vent temperature sensor, possibly a broken or shorted sensor wire or failed sensor.	8	13
LOGASPRES FAIL	The low gas pressure safety switch (optional) is not sensing the minimum gas pressure required for safe burner operation. Check the gas pressure to ensure that the minimum is available. If the gas pressure is adequate check for fluctuating gas pressure or a faulty pressure switch.	9	10
REM PROV FAIL	The remote proving circuit, when used, is designed to check for the operation of ancillary mechanical room equipment such as a fresh air damper or flow switch. Check for the proper function and correct wiring of such equipment.	10	8
LOW WATER FAIL	The electronic low water cutoff is no longer sensing water at its probe. This could also be caused by a faulty low water board or sensor	12	7
HTR LOST	This could be caused by a poor connection between the PIM control and the digital control display or failure of either device.	14	6
HIGASPRES	Check the gas pressure to ensure that the building supply doesn't exceed the value on the heater rating plate. If the gas pressure is within rated limit, check for a faulty pressure switch.	15	26

11.3 Replacing the Fuse

The 24 VAC input and output circuits of the PIM are protected by a 8.0 Amp fuse.

11.4 Self-Check/Control Failure

The PIM confirms the integrity of the gas valve relay contacts to insure safety. It also monitors the processor memory and software execution for proper program flow. If the control detects an error in its software or hardware, all outputs are turned off and the LED displays a steady ON condition. If this condition persists after an attempt to restart then the control must be replaced.

11.5 System Safety Checks

The PIM monitors the safety switches, temperature sensors, supply voltage, and blower speed and will go to soft lockout until the error condition is corrected. Individual LED diagnostic codes or messages on the RS485 communications help identify the problem for efficient troubleshooting.

11.6 Flame Current Measurements

The PIM supports direct measurement of flame signal strength using the flame current test pins (FC+, FC-) on connector P2. Flame current may be measured by a micro-ammeter, or alternately by using a standard digital voltmeter. The signal on P2 is calibrated to 1 micro-amp/volt, so flame current in micro-amps can be directly read on the volts scale.

The control display user interface is capable of displaying an approximation of flame current up to 5 micro-amps

11.7 Non-Volatile Lockout/Manual Reset

The PIM normally allows for volatile ignition lockout where a lockout condition is reset by a loss in 24VAC power or the call for heat demand. In certain applications or where required by standards (such a CSD-1), it can be configured through the parameter settings for non-volatile lockout after ignition failure. In this case the lockout may only be reset by the on-board manual reset button, or the remote reset input.

11.8 ID Card

The PIM determines its operating parameters by reading the identification code of an external plug-in ID card. The ID card is connected to the PIM at the J6 connector.

NOTE: This ID card must be present for the PIM and appliance to operate. This card selects the proper settings in the PIM's memory for various appliance models. The first time a PIM is powered up attached to an ID card, the ID card setting is stored in non-volatile memory. Once set, the PIM only operates with the correct ID card installed that matches its internal ID settings. The PIM verifies the ID card at power-up and on each heating cycle

CONQUEST® GAS BURNERS

12. NETWORK MENU

The Network Menu contains all of the settings necessary to configure a 2-wire, RS-485 communication link with this product. With no additional hardware, a Modbus RTU or ASCII protocol can be established.

1. Enter the Network Menu as previously explained. The first screen, ADDRESS, will allow the user to set the network address for each individual heater. There are up to 247 addresses beginning with number 1. If there are multiple heaters in the network, each heater should have a unique address. The default value 1.
2. The second screen, DATA, sets the data format. Select between RTU (8bit) and ASCII (7bit).
3. The third screen, BAUD RATE, 2400, 9600, 19K2, 57K6 and 115K.
4. PARITY, will select between NONE (2 Stop bits), EVEN (1 Stop bit) and ODD (1 Stop bit).
5. The table below details wire length using 18 AWG Shielded Twisted-Pair.

Max Cable Length Without Terminating Resistors	Max Cable Length with 2 x 120 Ohm Resistors
• 115200 baud --> 177 m (580 ft)	• 115200 baud --> 1,000 m (3,280 ft)
• 57600 baud --> 353 m (1,158 ft)	• 57600 baud --> 1,000 m (3,280 ft)
• 19200 baud --> 1,000 m (3,280 ft)	• 19200 baud --> 1,000 m (3,280 ft)
• 9600 baud --> 1,000 m (3,280 ft)	• 9600 baud --> 1,000 m (3,280 ft)
• 2400 baud --> 1,000 m (3,280 ft)	• 2400 baud --> 1,000 m (3,280 ft)



Connect RS-485 wires here. If you are unable to establish a connection reverse the + & - wires.

CONQUEST® GAS BURNERS

12.1 EOS Register List

Parameter	Read/Write	Type	Format	Units	Range	Register Address
Heater Ignition	Read	Input	U16	Enum	0=IDLE, 1=PREPurge, 2=IGNition, 3=BURNer on, 4=postPURG, 5=FAIL	101
Upper Tank Temperature	Read	Input	S16	°F	-22 to 266	102
Lower Tank Temperature	Read	Input	S16	°F	-22 to 266	105
Vent Temperature	Read	Input	S16	°F	16 to 300	108
High Limit Temperature	Read	Input	S16	°F	-22 to 266	111
Modulation Rate	Read	Input	U16	%	0 to 100	112
Flame Current	Read	Input	U16	0.1V	0 – 10.0	113
Burner Runtime	Read	Input	U16	Hours	0 – 65535	114
Burner Cycles	Read	Input	U16	Num	0 – 65535	115
Heater Circulator Status	Read	Input	U16	Enum	0=Off, 1=On	116
Heater Setpoint Occupied	Read/Write	Holding	S16	°F	70 to 190	200
Heater Setpoint Unoccupied	Read/Write	Holding	S16	°F	70 to 190	201
Call For Heat	Read	Input	U16	Enum	0=Call present, 1=Call not present	15
Heater Enable/Disable	Read/Write	Holding	U16	Enum	0=Off, 1=On	100
Error Code History	Read	Input	U16		See Error Codes 12.2	200-215

CONQUEST® GAS BURNERS

12.2 Error Codes

Code	Description
0	No Error
Control Display Errors	
1	EEPROM
2	Outdoor Sensor
3	Supply Sensor
4	DHW Sensor
5	Vent Limiting
6	FTBus Communication
PIM Errors	
7	LWCO
8	Remote Proof
9	Air Pressure
10	Low Gas Pressure
11	Boiler Outlet/Tank Top Sensor
12	Boiler Inlet/Tank Bottom Sensor
13	Vent Sensor
14	Hi-Limit Sensor
15	Ignition Failure
16	Flame Loss
17	Vent Hi-Limit
18	Boiler/Tank Hi-Limit
19	False Flame
20	OEM Card
21	Internal Failure
22	Hi-Delta
23	Low HSI
24	Low Voltage
25	Blower Speed
26	High Gas Pressure
tN4 Errors (This series of errors are related to the communication links between multiple heaters in a linked system)	
27	Master Lost
28	Device Lost
29	Device Duplicate
30	Device Error

CONQUEST® GAS BURNERS

13 REMOTE CONNECTIONS – TERMINAL STRIP

13.1 Making BMS/BAS remote connections for analog and binary (on/off) signals

A terminal strip for the remote connection is located behind the bottom control panel door and is accessed removing the two thumb screws a lifting the hinged door.

IMPORTANT: Do not use single strand bell wire for remote field connections to terminals R1-R2 and C1-C2. Use only multi-strand copper wire. See table below for wire length and gauge:

Wire Gauge	18 GA	16GA	14 GA	12 GA
Maximum Length	30 FT	50 FT	75 FT	100 FT

WARNING: Turn off all electrical service to the appliance when accessing the remote connections and close and fasten the control cabinet cover before restoring electrical service to the appliance. The remote connection terminals are High Voltage or may become High Voltage. If the electrical service is not turned off and these terminals are touched, a dangerous shock could occur, causing personal injury or death.

Coupez l'alimentation avant intervention sur l'appareil.

13.2 Terminal Functions - The following describes the functions of each of these terminals and the proper method for interfacing with an Energy Management System:

L1-L2: Used for incoming power supply connection.

Terminal **L1** is the hot terminal(Black) and **L2** is neutral (White). See the product catalog or specification document for circuit ampacity rating.

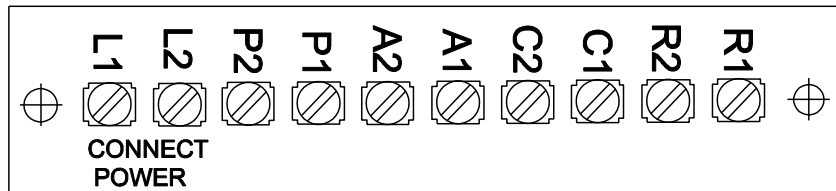
R1-R2: Used to activate / de-activate water heater from remote master control. Terminals are wired to a relay in a remote Energy Management System. When the relay closes, the circuit from R1 to R2 is completed and appliance controls are enabled. This appliance ships from factory with a jumper between terminals Remove jumper when connecting to a remote controller.

A1-A2: Used to activate a remote alarm, signaling shutdown of combustion control.

Provides a maximum 2 amp relay contact closure when the control system terminates operation due to a tripped safety interlock (i.e.: air proving switch, high limit switch or flame sensor, etc.).

P1-P2: Provides a 5 amp contact closure to control remote equipment (i.e. mechanical room air louvers, draft inducer or power vent, etc.). Do not directly energize pumps or motors through these terminals. If operation or repositioning of the remote equipment is required for safe operation of the appliance, the remote equipment must send a return proving signal to terminals C1-C2, via its proving switch, to confirming proper operation or repositioning to enable the appliance to energize.

C1-C2: Used for proving operation of remote device. Terminals are wired to a proving switch on a remote device such as a power venter, louvers or a combination of these in series. When all remote proving switches close, the circuit from C1 to C2 is completed and the appliance controls are enabled. This appliance ships from the factory with jumper between terminals C1 and C2 that must be removed when a proving switch is connected.



CONQUEST® GAS BURNERS

14 SEQUENCE OF OPERATION

1. Incoming Power

- a. Full time power to the Main Fuse.
- b. Full time power to the Main Control Switch.

2. Power On - When the main control switch is turned on:

- a. 230V is applied to step-down transformer 1 (120V), Circulator, and Blower.
- b. 120V is applied to the step-down transformer 2 (24V).
- c. 120V is applied to the L.W.C.O. and HSI circuits.
- d. 24V and 120V is applied to the Platform Ignition Module (PIM).
- e. The PIM performs a processor and memory self-test to insure proper operation. The PIM confirms the presence of a valid ID card which matches the configuration previously stored in memory. If the valid ID card is not present, the PIM generates a diagnostic fault. The non-volatile memory is checked for an active lockout condition. A lockout indicates the previous attempt to light was unsuccessful, or a hi-limit or other system fault occurred. The PIM stays in lockout until a manual reset is performed.

3. Control Device Pre-check – The following control circuits are checked for closer before the control system will initiate a Call for Heat.

- a. The PIM continuously monitors the flame status to verify no flame is present during Standby. If an erroneous flame is detected, the PIM generates a flame error fault.
- b. The Electronic Low Water Cut-Off control is a self-contained electronic device which senses the presence of water at the top of the storage tank. When the presence of water is confirmed, the contacts close on the ELWCO and is sensed by PIM control.
- c. The High Temperature Limit is combined in a common probe body with the upper tank sensor. The PIM will compare the high limit thermistor temperature with the upper tank thermistor temperature. If the two temperatures are not the same, a sensor failure will result.
- d. When the High Temperature Limit operation has been verified by comparison, the limit temperature will then be confirmed to be under the maximum allowable temperature.
- e. Terminals P1-P2 are closed to activate any connected remote devices
- f. The circuit between Terminals C1-C2 is closed by any connected remote proving switches, enabling the water heater to continue the sequence of operation.

4. Call For Heat - If the operating control senses that the temperature at the upper tank sensor is below the heater set point and the previous control interlocks and safeties are satisfied, the following sequence will begin:

- a. Terminals P1-P2 are closed to activate any connected remote devices
- b. The circuit between Terminals C1-C2 is closed by any connected remote proving switches, enabling the water heater to continue the sequence of operation.
- c. The High Gas Pressure and Low Gas Pressure Switch (if equipped) are energized and their monitored pressures are proved. The individual safety circuits will close when satisfied and be sensed by the PIM control.
- d. The Airflow-Proving Switch contacts are confirmed to be open before the burner blower is energized.
- e. When the burner blower is energized and air pressure is generated, Airflow switch is verified to close within 60 seconds to prove flow.
- f. The ignition pre-purge delay takes place.
- g. The voltage level of the 24 VAC supply input is confirmed to be above 18.0 VAC.
- h. The Ignition cycle begins.

5. Heat-Up - Following the pre-purge delay, the hot surface igniter will be energized:

- a. The flame control will send 120V to the hot surface igniter for approximately 20 seconds.
- b. The HSI Element proving current is verified.
- c. The heat-up delay takes place to allow the hot surface element to reach ignition temperature.

CONQUEST® GAS BURNERS

6. **Ignition** - When dwell time is completed a 4-second Trial for Ignition (TFI) period is initiated:
 - a. The Gas Safety Valves are energized.
 - b. The hot surface element is de-energized during the last second of the TFI period.
 - c. During TFI the flame safeguard control will monitor the flame using flame rectification through the hot surface igniter.
 - d. If the flame control senses the presence of flame before the end of the TFI period, the igniter will be de-energized and the flame control will continue to monitor the flame, through the igniter, until the operating thermostat ends the call for heat condition.

7. **Heating**
 - a. The flame status, airflow switch, LWCO switch, water pressure switch and other safety switches are continually monitored for proper state.
 - b. The High Limit sensor is confirmed to read below the High Limit setpoint.
 - c. The temperature of water in the tank is compared to the temperature control set point to determine when to begin firing in heating mode.
 - d. The water heater remains in heating mode and, with extended operation, condensation begins to fill the condensation trap and drain line; (a normally operating booster heater does not create condensation). The water heater stops firing when the tank water temperature matches the temperature control set point.
 - e. The gas valve(s) are immediately disabled.
 - f. A Blower Post-purge is completed and the control proceeds to Standby mode.

8. **Integral Circulating Pump** – The circulating pump is controlled independently of the call-for-heat.
 - a. When the main control switch is turned on, the control system will continuously monitor the water temperature in the tank and attempt to maintain a uniform water temperature within the tank by using the integral circulating pump.
 - b. If the temperature sensed in the tank drops 5 degrees or more below the temperature setpoint, the pump is energized and a pump circulator icon will illuminate on the control display touch screen.
 - c. The operation of the integral circulating pump may occur before, during or after the call-for-heat period.

9. **Flame Failure / Flame Loss**
 - a. If the igniter fails to sense flame during an attempt to light the burner (Ignition Trail Fail), the ignition control will end the ignition sequence and the gas valve will be closed. Immediately following the end of the first failed ignition cycle, a new ignition sequence will be initiated to attempt to relight the burner. The standard configuration of the Conquest water heater allows for three ignition failures before lockout. If the Conquest includes the CSD-1 option, this ignition failure will result in a lockout and require manual reset to attempt operation again
 - b. If the burner successfully lights and operates but the flame is lost, the gas valve will be closed and the blower will continue to operate in order to purge any remaining combustion products from the water heater. If the Conquest includes the CSD-1 option, this flame loss will result in a lockout and require manual reset to attempt operation again. The standard configuration of the Conquest water heater allows for three (Main Flame Loss) occurrences before lockout. Following each (Main Flame Loss) the PIM will purge and initiate the ignition sequence until the maximum of three flame loss events occur.

CONQUEST® GAS BURNERS

15 INITIAL STARTUP

15.1 Initial Startup Requirements

Installation must be complete prior to performing initial startup; and the startup must be complete prior to placing the water heater into service. Starting the water heater without proper piping, combustion air, venting or electrical connections or control settings can be dangerous and may void the product warranty. The following startup instructions must be followed precisely in order to achieve proper and efficient operation to assure trouble-free service life.

WARNING: Proper startup must be made by a qualified installer or service agency, who must read and follow the supplied instructions and appliance markings. Failure to complete proper startup before use, tampering with controls or not following all instructions and markings may damage this equipment, void the warranty and may result in property damage, personal injury or death.

15.2 Tools and Instrumentation Required

- Stack Temperature Gauge
- Stack Draft Gauge
- Electronic Combustion Analyzer
- Two U-tube Manometers or pressure gauges
- AC/DC Multi-meter (with 20,000 OHM/Volt rating)
- Amp Meter
- Normal Hand Tools

15.3 Resources

- Product Installation & Maintenance Manuals
- Start-up Report with instructions
- Local, State, & Federal Codes
- Website: www.pvi.com
- Technical Support: 1-800-433-5654

15.4 On Site Considerations

- Electrical Supply in accordance with the Nameplate Rating
- Adequate uncontaminated indoor or outdoor combustion air
- Adequate Fuel Supply
- Adequate Water Supply
- Exhaust Vent that complies with the installation instructions
- Condensate drainage that complies with the installation instructions

15.5 Pre-Startup Checklist

IMPORTANT: Before starting the water heater, ensure that the unit is installed properly and completely. If your unit is not installed properly, DO NOT attempt startup. Contact your installer immediately.

Before starting the unit, check for adequate electrical service, confirm if any external control wiring connections exist, confirm the tank is filled with water, check all tank connections for leaks, and ensure the condensate trap is installed properly and that the gas supply meets the product rating decal requirements as follows:

CHECK ELECTRICAL SERVICE

1. Start by checking the electrical service. Confirm that the voltage and frequency supplied to the water heater is the rating specified for your product and that it is also electrically grounded. See the appliance rating decal on the front of the unit for the electrical service requirements for your specific product.
2. Next, shut off the electrical service to the unit and turn the water heater power switch to the OFF position.
3. Unscrew and remove the two top cover plates to access the control enclosure. Locate the document packet containing the control circuit fuse and fuse cap. A wiring diagram is also included.
4. Remove the fuse and fuse cap from the packet and install them into the fuse holder on the front panel.
5. Visually check that all components are intact and no damage has occurred during transit and installation. Check all wire connections within the control cabinet. A loose connection could cause intermittent shutdowns.

CONQUEST® GAS BURNERS

6. Additional fuses are installed prior to shipment and must be inspected when troubleshooting electrical issues. There are 2 fuses on the transformer and one installed on the 120V DIN rail. See wiring diagram for ratings of additional fuses.

CHECK FOR EXTERNAL CONTROL WIRING CONNECTIONS

Before initial startup, the heater must be isolated from any remote controlling device. On the field access terminal strip, check to see if terminals **R1** and **R2** are jumped. If they are, nothing more needs to be done. If the terminals are not jumped but have wires connected to them, this indicates that a remote on/off relay is controlling the water heater from the Building Automation System. These wires must be removed prior to startup and the terminals must be jumped. Remember to remove the jumper and reconnect the remote wires after startup is complete.

Check the back of the digital control display board on the back of the front panel to see if a 2-wire, RS-485 communication cable is connected. These wires must be removed to isolate the water heater from the Building Automation System during startup. Remember to reconnect the communication cable to the digital control display board after startup is complete.

CONFIRM THE TANK IS COMPLETELY FILLED WITH WATER

For Conquest models applied as a Booster Water Heater:

When filling a Conquest applied as a booster water heater, the fill water supplied by the general purpose water heater should be a minimum of 140°F.

If colder water enters the booster heater inlet during startup, or at other times, condensation may occur and may cause a burner lockout. To remove this startup condensation, after startup is complete and the booster heater storage tank has reached its intended maximum water temperature, turn the booster heater off, remove the condensation drain plug, allow any condensation to drain, replace the drain plug and turn the booster water heater on.

IMPORTANT: Using the T&P Relief valve alone to vent the tank will not allow the tank to completely fill!

1. Close the drain valve.
2. Fully open the shutoff valves on the cold water inlet and hot water outlet piping to the unit.
3. Open the T&P valve to vent the tank. Close the valve when flow is observed.
4. Open a nearby hot water faucet(s) to allow trapped air to escape from the piping.
5. A steady flow observed from the hot water faucet(s) indicates the tank is full.
6. Close the hot water faucet(s).

CHECK TANK FLANGES AND PLUMBING CONNECTIONS FOR LEAKS

With the tank filled, check the tank flanges and pipe thread connections to ensure they are water tight and tighten as necessary to avoid leaks that will damage the tank insulation.

The 100 gallon Conquest models contain eight bolt-on bronze tank flanges sealed by an O-ring gasket. A removable adhesive decal covers the jacket opening at each flange location. If required, re-tighten a leaking bolt-on flange to a maximum torque of 11 foot-pounds. These tank flanges are located at the Hot Water Outlet, Safety Limits, Cold Water Inlet, Operating Control, T&P Relief Valve, Building Return, Tank Circulator and Drain Valve.

CHECK THE CONDENSATE TRAP

A condensate trap ships with the unit and must be installed on the condensate drain to prevent flue gasses from escaping and creating a hazardous condition in the installed space. The condensate drain is located on the flue outlet at the bottom front of the water heater.

Connect the condensate trap assembly to the PVC fitting on the flue outlet. Then rotate the trap so that it contacts the floor. Connect 1/2" ID clear vinyl tubing, rated for 170 degrees Fahrenheit or higher, or an optional Condensate Neutralization System to the barbed hose connection at the end of the condensate trap.

CONFIRM THE SUPPLY GAS TYPE

Confirm the gas type supplied matches the rating label requirement on the front of the water heater. The Conquest water heater will require either **Natural** or **Propane** gas.

If the available gas type is not correct your unit will require a conversion. Contact the factory for instructions for converting to or from Natural or Propane Gas.

CONQUEST® GAS BURNERS

CONFIRM THE SUPPLY GAS PRESSURE

WARNING: If you smell gas: Do not try to light any appliance. Do not try to touch any electrical switch or use a phone in your building. Immediately call your gas supplier and follow their instructions.

For **Natural Gas**, the maximum inlet static gas pressure must not exceed **14.0** inches water column and must not drop below **3.5** inches water column during operation.

For **Propane Gas**, the maximum inlet static gas pressure must not exceed **13.0** inches water column and must not drop below **8.0** inches water column during operation.

To check the supply gas pressure:

1. First, shut off the main gas supply to the water heater.
2. Ensure that both the manual gas valve at the burner, and the manual gas valve at the inlet of the gas train is closed.
3. Attach a 1/8" NPT pilot shutoff test valve and tubing to the test port on the manual shutoff valve at the inlet of the gas train.
4. Attach a U-tube manometer or gas pressure gauge to the pilot shutoff test valve.
5. Now open the main gas supply to the water heater and check for gas leaks on all joints upstream of the manual shutoff gas valve.
6. Open the 1/8" pilot shut-off test valve and measure the supply gas pressure.

IMPORTANT: If the supply gas pressure is outside of the allowable range, notify the building maintenance personnel or installer to reduce the gas pressure to the water heater!

7. Now open the manual gas shut off valve at the inlet of the gas train and check the gas train for leaks using a soap solution. If any bubbles are detected, close the manual gas valve and tighten the leaking connection.
8. Open the manual gas shutoff valve at the inlet of the gas train and check for leaks again.

15.6 Startup Procedure

1. Begin by turning the Conquest power switch to the OFF position. Drill a small test hole in the flue vent approximately two feet from the appliance vent connection. Insert the combustion analyzer probe into the vent test hole.

IMPORTANT: Before restarting the unit, ensure there is a way for the system to dissipate heat. This can be accomplished by opening one or more nearby hot water faucets.

2. With the manual gas valve at the burner closed, turn on the electrical service to the water heater, and then turn the Conquest power switch to the ON position.

The EOS Temperature control touch screen will energize. If the tank temperature is 5 degrees or more below the factory setpoint of 120 degrees, the Call-For-Heat sequence will initiate.

- With no gas pressure, the ignition control will attempt to ignite the burner three times before proceeding to a safety shutoff. Following the third failed attempt, the display screen immediately shows a **LOCKOUT** condition has occurred.
 - In a few seconds an **ERROR** code flashes in the Status field, and a **FLAME FAIL** alarm message is displayed followed by the troubleshooting message "**IGNITION TRIAL FAIL**" which scrolls across the top of the screen.
3. Now open the manual shutoff gas valve at the burner. Then push and release the **MAIN RESET** button on the front panel of the water heater to recover from the lockout condition. If all control interlocks and safeties are satisfied the control will automatically reset and attempt to start a new heating cycle.

When the call for heat sequence begins, the burner blower is energized. The status field of the display screen shows that the **Air Switch** is waiting to be closed by the air pressure generated by the blower.

- When the air switch closes, the **Ignition Pre-Purge** sequence and **Hot Surface Igniter Heat up Period** begins. The **BLOWER** message is displayed as the pre-purge countdown begins.
- Following a pre-purge and Hot Surface Igniter Heat Up countdown of about 39 seconds, a 4-second trial for Ignition period is initiated. During this sequence the screen displays **IGNITION** while the gas valves are being energized.
- When ignition occurs and flame is proven, the Status field shows the **BURNER** is firing and the flame **CURRENT** is displayed in microamps for about 8 seconds.
- The burner will continue to fire until the unit reaches its set point temperature. The **CONTROL TEMPERATURE** sensed at the top of the tank will continue to display throughout the burner run cycle and after shutdown when the unit is satisfied and idle.

CONQUEST® GAS BURNERS

4. Burner Combustion Adjustment

WARNING: If at any point carbon monoxide is in excess of 200 ppm, contact PVI Customer Care for assistance.

WARNING: Do not continue to operate the appliance with carbon monoxide levels above 200 ppm. Carbon monoxide is a colorless, odorless and poisonous gas that commonly results from gas combustion. High concentrations of Carbon Monoxide are extremely dangerous to humans and animals. Operation of an appliance at carbon monoxide levels above 200ppm can cause unsafe operation and the potential for poisonous carbon monoxide to enter occupied areas. Such improper installation can cause property damage, personal injury, exposure to hazardous materials or death.

With the burner firing, now measure the flow gas pressure at the beginning of the gas train. If the inlet flow gas pressure for Natural Gas is equal to or greater than 3.5 inches water column, or if the inlet flow gas pressure for Propane Gas is equal to or greater than 8.0 water column, continue with the startup. If the inlet flow gas pressure drops below these minimum requirements, a supply gas volume or piping problem may exist and must be corrected before the startup can continue.

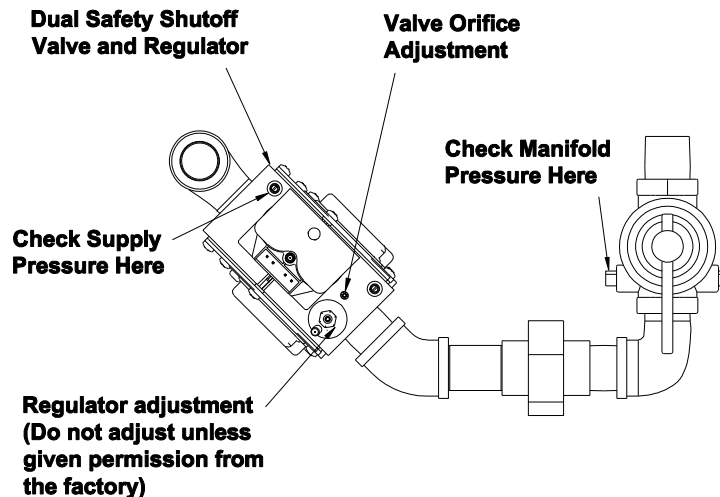
With the burner firing, monitor the combustion analyzer readings. The desired Carbon Dioxide level, CO₂, in the combustion products must be between 8.5 and 9.5% for Natural Gas and between 9.5 to 10.5% for Propane Gas.

If the level is in this range, no adjustment is required or recommended. If the level must be adjusted, turn the slotted brass gas valve orifice screw counter-clockwise to increase gas flow and increase CO₂, or clockwise to decrease gas flow and decrease CO₂.

NOTE: Do not attempt to adjust combustion based on manifold pressure alone. Manifold pressure should only be used as a reference point. It should not be necessary to adjust the regulator for this model. See Gas Train Illustrations for details.

5. Check The Vent Pressure

With the combustion properly adjusted, now use the same vent opening that was used for the combustion analyzer probe to measure the vent pressure. With the burner firing, confirm the vent pressure does not exceed .5" W.C. Pressure in excess of .5" W.C. indicates a venting sizing issue that must be addressed by the installer before operating the water heater.



Gas Train Illustration for Model 20, 25 & 30
(Optional components may not be shown)

CONQUEST® GAS BURNERS

16 POTENTIOMETER (Adjusting the Setpoint)

The PIM Ignition Control will continue to operate the Conquest water heater at a 120 degree internal factory setpoint should the touch screen control fail, or communication between the two devices is interrupted. This internal setpoint can be adjusted using the potentiometer to maintain a different operating temperature under these circumstances if desired.

To Adjust The PIM Potentiometer Setpoint:

1. From the View Menu, press and hold the **HOME** button for 3 seconds to display the SETUP Menu.
2. Using the **NEXT ITEM** or **ITEM BACK** buttons navigate to the **TOOLBOX** menu, then touch the **ENTER** button to display the **ACCESS** menu.
3. Now use the **UP** or **DOWN** arrow buttons to select the **INSTALLER** setting.
4. Touch the **HOME** button to return to the **TOOLBOX** menu, then use the **NEXT ITEM** or **ITEM BACK** buttons to navigate to the **SOURCE** menu.
5. Touch **ENTER** to enter the source menu and use the **NEXT ITEM** or **ITEM BACK** buttons to navigate to the **OPERATOR** screen to display the potentiometer setpoint.
6. Open the hinged upper panel of the control enclosure and locate the potentiometer on the PIM Ignition Module.
7. Using a small blade screwdriver, manually adjust the PIM Potentiometer to a desired stand-alone setpoint temperature as you view the adjusted temperature setting in the **OPERATOR** screen.
8. Exit the menu by pressing the **HOME** button.

CONQUEST® GAS BURNERS

17 NSF FOOD SERVICE INSTALLATION GUIDELINES

All Conquest water heater models that have the Intertek ETL Sanitation mark on the information decal affixed to the front of the appliance are listed to NSF 5.

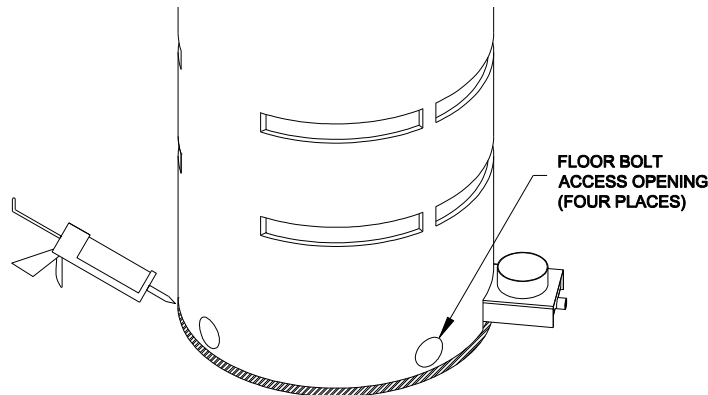
This section provides additional information for architects, designers, and contractors in food service installations requiring compliance with NSF codes. NSF/ANSI 5 establishes health and sanitation requirements for the materials, design and construction of commercial water heaters. All Conquest water heaters are certified for compliance with NSF-5 by ETL Intertek and are therefore recognized as suitable for installation and use in commercial food service applications when installed and used according to these instructions.

WARNING: Do not use a pressurized water source to clean this water heater. If the food service installation requires pressurized washing, the water heater must be isolated from water spray. Failure to isolate the heater from pressurized water may cause a hazardous condition resulting in property damage or high voltage electrical shock, causing personal injury or death.

Conquest water heaters can be adjusted to operated at temperatures up to 190°F. Refer to the “Temperature Setting” section of this manual for instructions to adjust the thermostat to the desired temperature.

NSF Installation - The NSF 5 listed Conquest water heater requires no modification to become NSF 5 compliant, is designed to supply potable hot water and is not intended or suitable for other purposes. Where feasible, the water heater should be located separate from food and utensil handling areas. When this is not possible in a food service installation, the water heater must be sealed to the floor to prevent water from accumulating underneath. The floor must be clean, smooth and level for adequate sealing. Seal the water heater to the floor using an RTV sealant (such as Red Devil 0826, Saf-T-Lok 732 or RTV 102 or an equivalent). Follow the sealant manufacturers instructions to lay a bead of sealant between the edge of the heater base and the floor. The supplied covers over the four floor bolting access openings must be installed.

NSF Service and Maintenance - NSF 5 for food service installations require the appliance and its installation to prevent harborage of vermin. Tight construction of the properly installed and assembled heater enclosure does not provide a haven for pests. If the floor bolting access covers do not seal completely, they must be replaced with direct replacement covers, available from PVI.



18 TROUBLESHOOTING PROCEDURE

Before troubleshooting the system, check the following items:

- Verify all mechanical and electrical connections are secure and tight.
- Verify all system wiring is correct.
- Verify there is a proper system ground. The igniter, flame sensor, and ignition module must share a common ground with the burner. *Nuisance shutdowns are often caused by a poor or erratic ground.*
- Follow the “Initial Startup” instructions in section 15 as the first step in any troubleshooting.
- Verify that the system is powered and that the thermostat is calling for heat.
- If the control displays an error code on the red diagnostic LED, troubleshoot per **Section 11.2 Alarm Messages – Diagnostic Codes.**

The LED will flash on for 1/10 second, then off for 2/5 second during a fault condition. The pause between fault codes is 8 seconds.

CONQUEST® GAS BURNERS

18.1 General Troubleshooting

Symptom	Probable Cause	Corrective Action	
Starting or Pre-purge Failure	Power Supply	Check fuse and/or circuit breaker.	
	On-Off Switch	Check if On-Off switch is illuminated when on. If not check panel fuse or incoming power.	
	Temperature Control	Check that the operating temperature control is set higher than the temperature of the water heater.	
	Remote enable/disable open	Enable water heater or place jumper between terminals R1-R2.	
	Electronic Low Water Cut-off (Red LED is off)	Check internal ELWCO board for indication of failure. The red LED not lit indicates a lockout condition. Manual reset is required.	
	Gas Pressure Switches (when installed)	Gas pressure switches are attached to the gas train. Check for a tripped condition indicated by the manual reset button on the switch. Correct low gas pressure condition at the supply.	
	High Temperature Limiting Device	The high limit device is set at 200°F. This device is located at the control flange on the top head of the tank. A high temperature condition may be caused by a failure of the Temperature Control sensors or the circulation pump. This failure requires manual reset.	
	Combustion Air blower		Check if fan control relay is closed.
			Blower motor may have failed.
	Blower Speed Tachometer (if blower is functioning)		Check for loose wires between blower and control.
			Check blower speed measurement with Hz meter. Consult factory.
Remote Proving Interlock		When terminal C1 and C2 are used a proving circuit for remote equipment, failure to close this circuit within the allotted time for Call-for-Heat will prevent operation and cause an alarm indication. Check for proper operation and proving of remote equipment.	
Loose Wire Connections		Check connections to all components.	
Flame Failure	Power Supply	Low voltage can cause failure. Refer to product specifications and investigate if measured voltage is lower than rated.	
	Hot Surface Igniter	Check resistance at room temperature and then the amperage draw during heat-up. Replace if the measured amperage is not within 3.5 to 5.0 Amps or if measured resistance is not within 40-100 ohms (at room temperature). Also, check for overheating condition due to damaged refractory around igniter.	
	Blower Speed Proving	EOS fault code will identify blower speed error. May be faulty blower.	
	Gas Pressure	Check for proper inlet static and dynamic gas pressure, 3.5" W.C. minimum.	
	Combustion	Inadequate flame signal may result from improper combustion. Adjust to proper CO2 levels. Inability to achieve proper CO2 levels may be caused by a defective gas valve, a defective regulator or blockage in the in the burner or combustion air supply.	
	Grounding	Check for proper ground from flame control to burner housing.	
	Condensate Accumulation	Check that the condensation path from the heater to the drain is not blocked. For Conquest applied as a booster heater, verify inlet water general purpose water heater is 140°F or higher.	

CONQUEST® GAS BURNERS

18.2 LED Error Code Listing

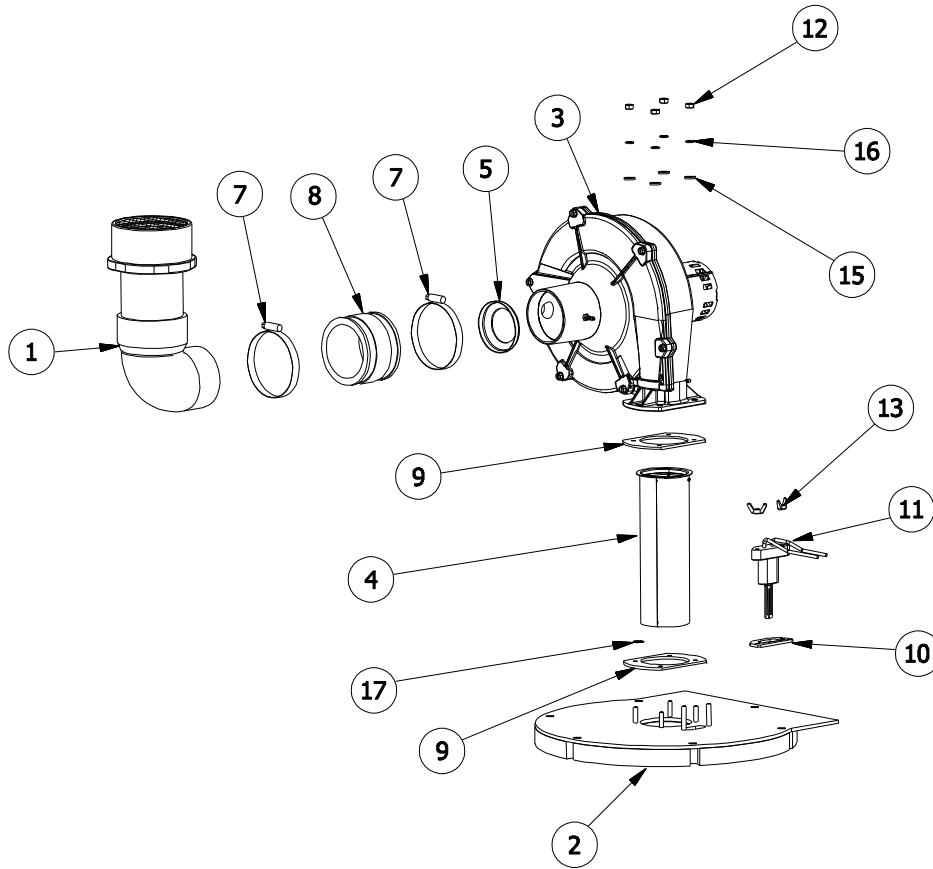
The following table lists the errors detected by the Platform Ignition Module (PIM) control and the associated LED indications.

Error Mode	LED Code	Recommended Troubleshooting
Normal Operation	Off	
ID Card Fault	Red LED Steady ON, Green Power LED OFF	Check that the proper ID card is securely connected. Perform a power and system reset.
Internal Control Failure	Steady ON	Perform a power and system reset. If fault remains, replace the PIM.
Airflow Fault	1 flash	Check Blower operation.
False Flame Error	2 flashes	Check for proper gas valve closure. Clean burner and electrodes.
Ignition Lockout Fault	3 flashes	Check the gas supply. See Table 6-1 for more information.
Ignition Proving Current Fault	4 flashes	Check HSI element. Replace with a new element of the proper rating.
Low Voltage Fault	5 flashes	Check the 24 VAC input voltage. The voltage must be above 18.0 VAC.
Vent Temperature Fault	6 flashes	Check for a blocked flue. Check the vent sensor and connections.
Hi-Limit Fault	7 flashes	Check for proper water flow. Check hi-limit and outlet sensors.
Sensor Fault	8 flashes	See the digital control display for fault identification. Check sensors and wiring.
Safety #1 Fault	9 flashes	Check gas pressure. Verify proper safety switch operation.
Water Pressure Fault	10 flashes	Check piping for leaks. Check pressure switch and connections.
Blower Speed Fault	11 flashes	Verify tachometer signal and connection on J5.
LWCO Fault	12 flashes	Check LWCO switch and connections. Check the water level.
Hi-Temperature Delta Fault	13 flashes	Check pump operation. Confirm proper water flow across heat exchanger.
Ft-bus Communications Fault	14 flashes	Verify the digital control display is connected and operating. Check the cable between the control display and J1.
Safety #2 Fault	15 flashes	Check gas pressure. Verify proper safety switch operation.

CONQUEST® GAS BURNERS

19 REPLACEMENT PARTS

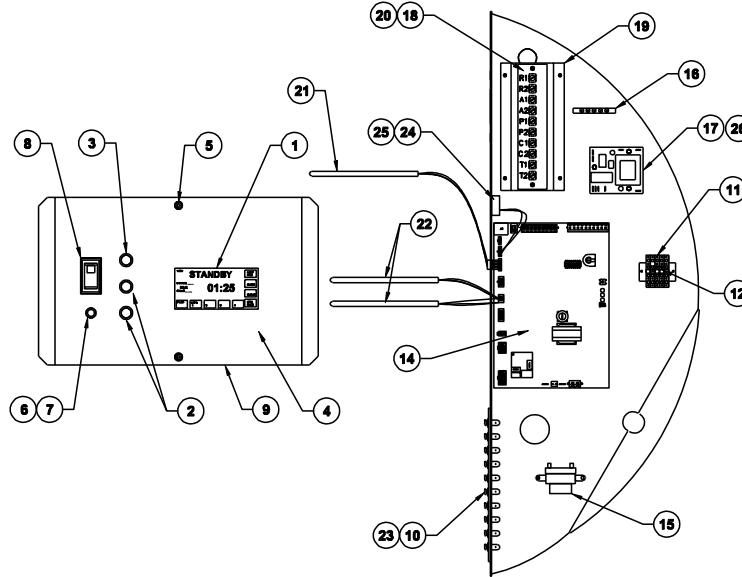
19.1 Blower & Burner Assembly (Optional components may not be shown)



ITEM	DESCRIPTION	20 L 100A-GCL	25 L 100A-GCL	30 L 100A-GCL
1	ASSY, AIR INTAKE (Includes Brass ELL Hose Barb)	124161	124161	124161
2	ASSY, BULKHEAD AGC W/INSULATION	145177	145177	145177
3	BLOWER, FASCO #7062-6047 1/2 HP 120V 60HZ 3500 RPM CLASS	140696	140696	140696
4	BURNER, WORGAS #PRX0114 70 X 217 MM	115277	115277	115277
5	CAP, ORIFICE 3 X 1 3/4 ID AGC	-	-	128984
5	CAP, ORIFICE 3 X 1 3/8 ID AGC	128983	128983	-
7	CLAMP, HOSE STAINLESS 3 9/16 X 4 1/2 OD	124710	124710	124710
8	ADAPTER,AIR INTAKE 3 1/2 ID X 2 1/2	124894	124894	124894
9	GASKET, FLANGE BLOWER/BURNER 1/8 232 CRANEGLAS 2.75 ID	120493	120493	120493
10	GASKET, IGNITOR 1/8 232 CRANEGLAS Y271	111791	111791	111791
11	IGNITER, HOT SURFACE NORTON #271Y MB478844	107775	107775	107775
12	NUT, HEX 1/4 X 20 NC STEEL ZINC PLT	3475	3475	3475
13	NUT, WING 1/4 X 20 NC STEEL ZINC PLT	79972	79972	79972
15	WASHER, FLAT 1/4 PLT	15607	15607	15607
16	WASHER, LOCK 1/4 PLT	3494	3494	3494
17	WASHER, STAR 1/4 SHAKEPROOF	38607	38607	38607

CONQUEST® GAS BURNERS

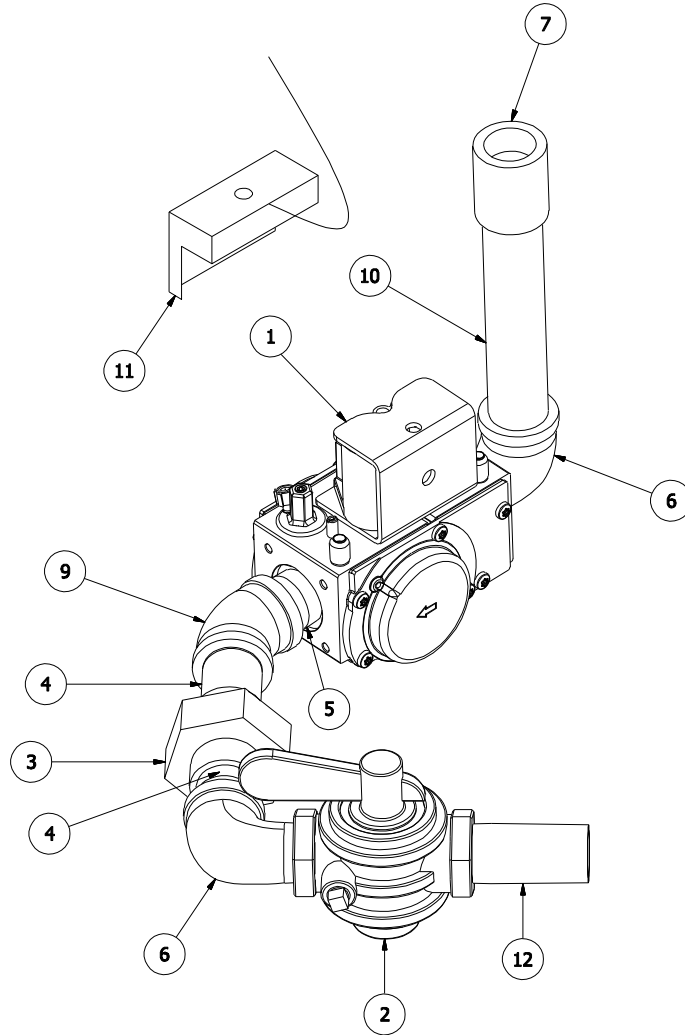
19.2 Control Panel Components



ITEM	Description	20 L 100A-GCL	25 L 100A-GCL	30 L 100A-GCL
1	Kit, Digital Control Display HMI Tekmar	138397	138397	138397
2	Switch, SPST N.C. Momentary Contact Selecta #SS229	70573	70573	70573
3	Switch, SPST N.O. Momentary Contact Selecta #SS228	75908	75908	75908
4	Face Plate Decal	126335	126335	126335
5	Screw 10-24 X 1/2	125249	125249	125249
6	Fuseholder, Panel Type #HTB-28I	5613	5613	5613
7	FUSE,MDA-6-R 6 AMP FUSECO 250V	148674	148674	148674
8	SWITCH,CARLING #LTILA51-6SBLAM-NBL/250N/INDP	77499	77499	77499
9	Plate, Face AGC PIM/Digital Control Display	126076	126076	126076
10	Board, Terminal Elec-Tron #PV13080 20 Pole Feed	122346	122346	122346
11	Block, Terminal Wago #280-833 600V 20A DIN	122319	122319	122319
12	Jumper, Terminal Block Wago #280-402 23A	122320	122320	122320
14	Kit, Flame Control PIM Fenwal	129335	129335	129335
15	Transformer, Step Down Triad #F5-24 115VAC 24VCT 12.0VA	126865	126865	126865
16	Bar, Ground Square D #PK5GTA 5 Pole	122321	122321	122321
17	LWCO, Protodesign #LW-3-C-1-A-03 120V	129013	129013	129013
18	Board, Terminal Elec-Tron #PV13140 10 Pole Feed Thru Type	140328	140328	140328
19	Bracket, Terminal Strip Mtg 3 X 6 for P/N 102011	121749	121749	121749
20	Jumper, Elec-Tron #ESJ-145	102467	102467	102467
21	High Limit/Upper Operator Thermistor Sensor #91769 Dual	126090	126090	126090
22	Lower Operator/Flue Temp Thermistor Sensor #91768 Single	126089	126089	126089
23	Jumper, Elec-Tron #ESJ-154	122746	122746	122746
24	Profile ID Card Fenwal #05-900000 Water Heater	126536	126536	126536
25	Card Cable Fenwal #05-900001-018	126537	126537	126537
26	Probe, LWCO Warrick #3L1D002.75 w/1/8 MPT 316 SST	58154	58154	58154
27	Transformer, Control HPS #PH750MLI 75VA 1ph 230V 50/60HZ (Not Shown)	147948	147948	147948
28	Kit, Fuse Hammond Power Solutions #PFK7 350-1000VA (Not Shown)	148529	148529	148529
29	Fuse, ATQR5 5 Amp Ferraz Shawmut (Not Shown)	74770	74770	74770
30	Relay, SPST, 15A, 250VAC, 120V coil (Not Shown)	148675	148675	148675
31	Fuse, 15A 250V, 5mm X 20mm, Glass (Not Shown)	148676	148676	148676

CONQUEST® GAS BURNERS

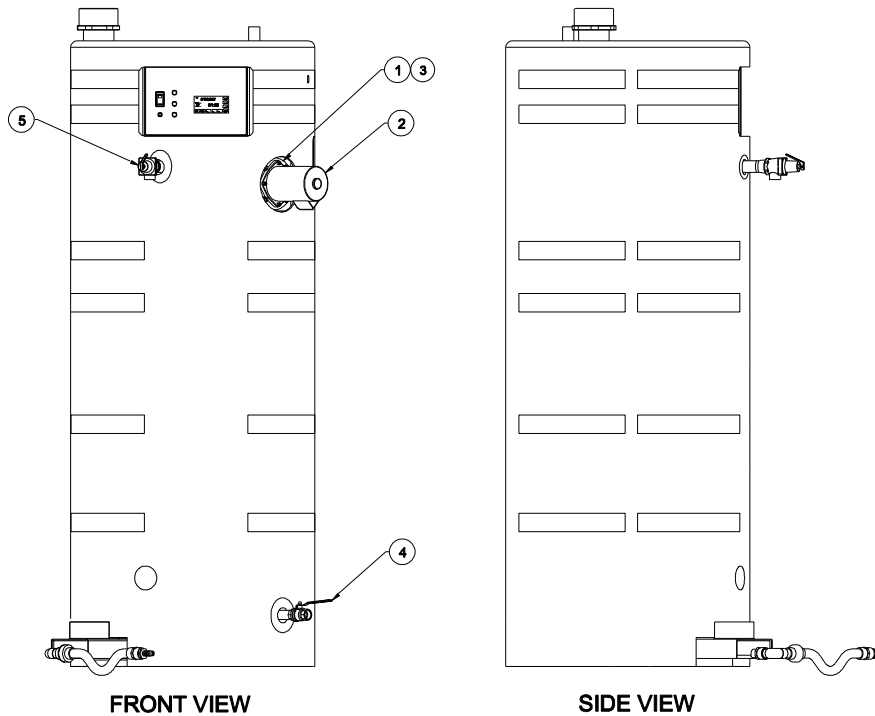
19.3 Gas Train Assembly



ITEM	DESCRIPTION	20 L 100A-GCL	25 L 100A-GCL	30 L 100A-GCL
1	VALVE, GAS 3/4 EBM #55290.04007 TYPE GB-ND 057 D01 S20 XP	125504	125504	125504
2	VALVE, SHUTOFF 3/4 KEY GAS #216-242111	5336	5336	5336
3	UNION, BLACK 3/4	5928	5928	5928
4	NIPPLE, BLACK 3/4 X 2	5991	5991	5991
5	NIPPLE, BLACK 3/4 X CL	5989	5989	5989
6	ELL, STREET BLACK 90DEG 3/4	6184	6184	6184
7	COUPLING, FULL BLACK 3/4 3000# SA105 FORGED STEEL	5902	5902	5902
9	ELL, BLACK 45DEG 3/4	6175	6175	6175
10	NIPPLE, BLACK 3/4 X 6	5995	5995	5995
11	HARNES, WIRING EBM #27458.36116 120VAC W/ATTACHMENT SCREW	110697	110697	110697
12	NIPPLE, BLACK 3/4 X 3	5992	5992	5992

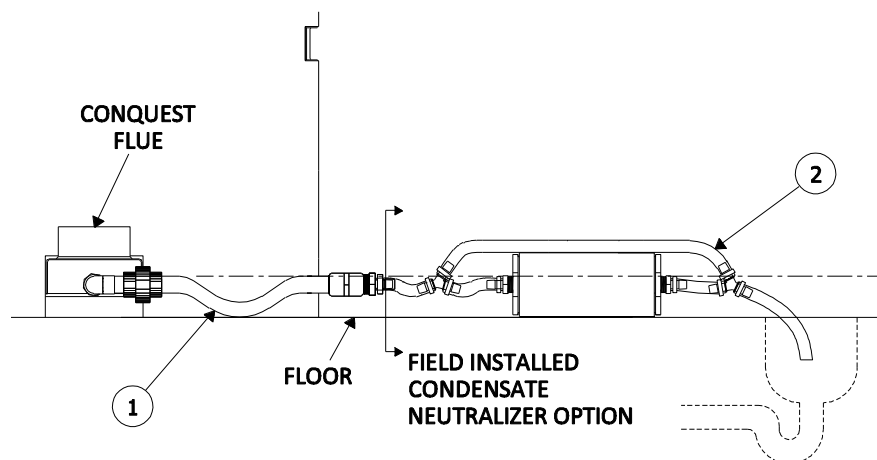
CONQUEST® GAS BURNERS

19.4 Drain Valve – T & P Relief Valve – Integral Circulating Pump Assembly



ITEM	DESCRIPTION	20 L 100A-GCL	25 L 100A-GCL	30 L 100A-GCL
1	FLANGE, MTG BRONZE INTEGRAL PUMP PL 2 SIDE RAD SB584 UNS CTD	119301	119301	119301
2	PUMP, B&G 1/6 HP SERIES PL MODEL PL-50 220V 1PH 50Hz	148528	148528	148528
3	O-RING, GASKET 4.25 OD X 3.50 ID X .375 CS EPDM 80 DUROMETER	122423	122423	122423
4	VALVE, BALL 3/4 JOMAR #100-654G BRASS THREADED X HOSE	124557	124557	124557
5	VALVE, T & P RELIEF 1 WATTS #140X-6 150 PSI 670 M 3085	709	709	709

19.5 Condensate Drain Trap & Optional Condensate Neutralizer

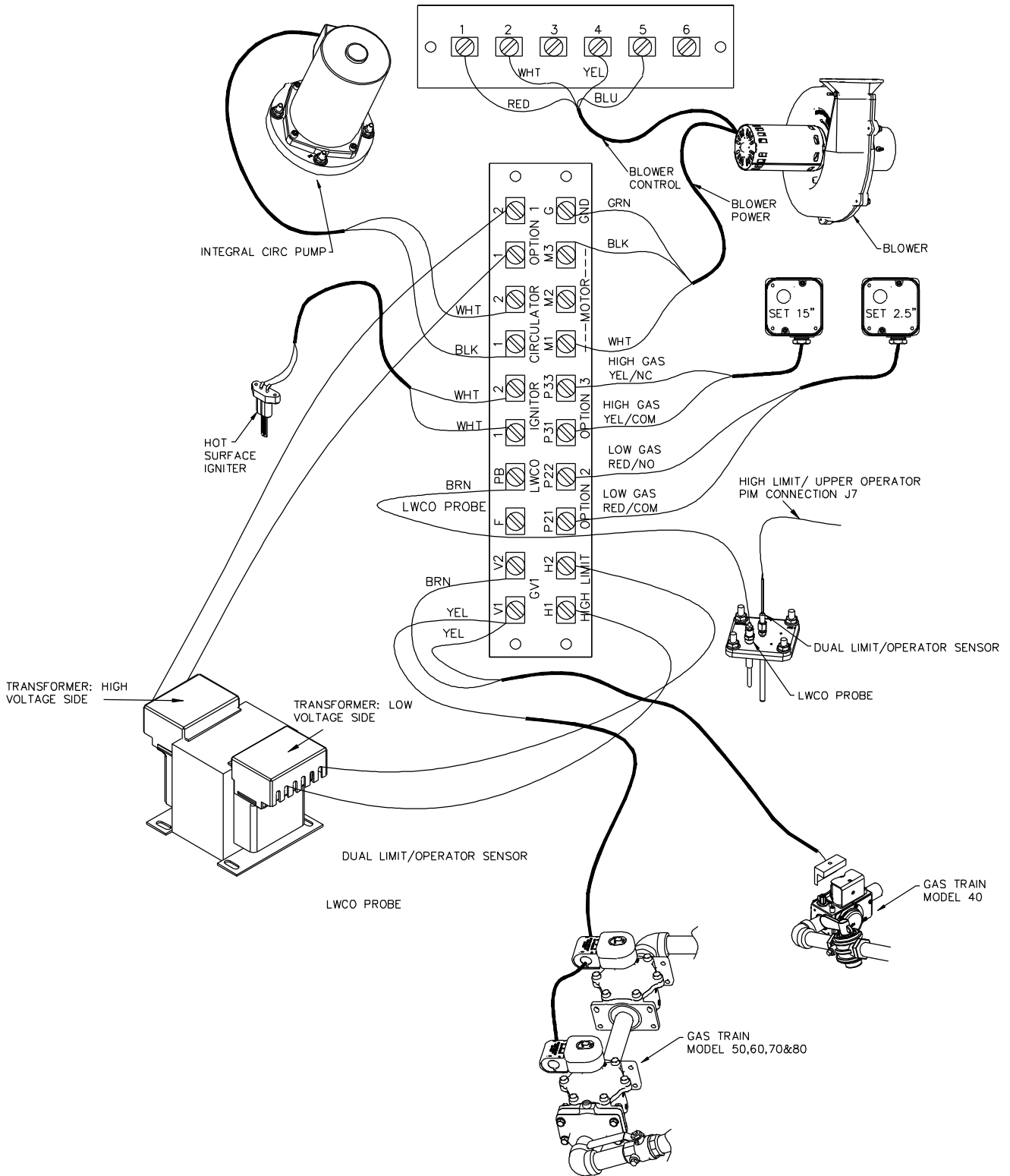


ITEM	DESCRIPTION	All Models
1	ASSY, COND DRAIN AGC 100 GAL 3/4 PVC	129229
2	ASSY, CONDENSATE DRAIN NEUTRALIZATION 1/2	*140793

*tubing and tee fittings not supplied in this kit

CONQUEST® GAS BURNERS

19.6 Component Wiring and Conduit Routing Details



CONQUEST® GAS BURNERS

20 PERIODIC MAINTENANCE

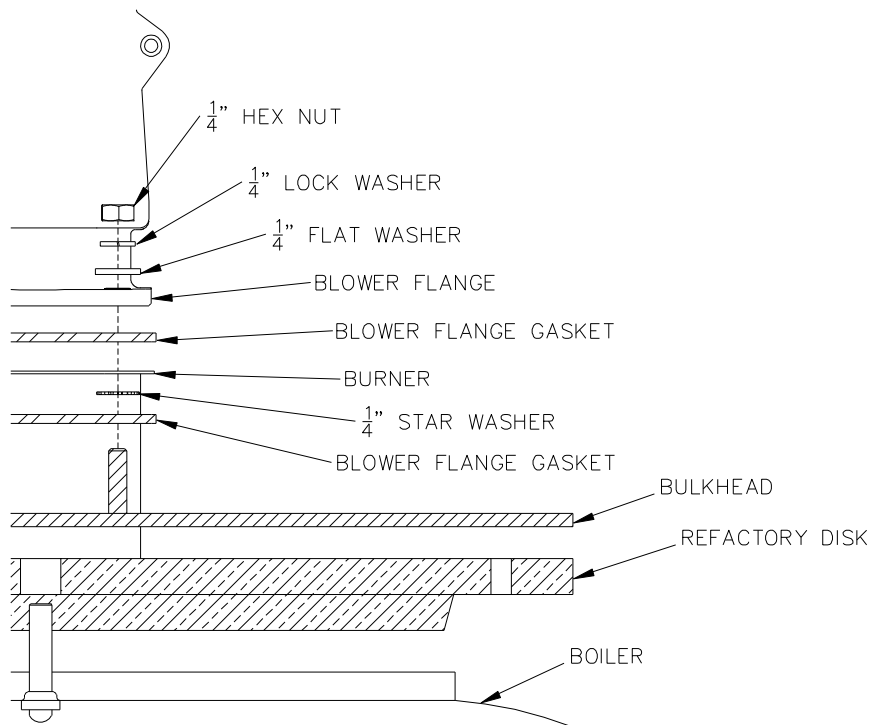
Listed below are items that must be checked to ensure reliable operations. Maintenance must be performed by a qualified service or maintenance provider. To ensure proper maintenance, the following instructions should be posted near the appliance and maintained in legible condition. Verify proper operation after servicing.

WARNING: When servicing the controls, use exact, Factory authorized, replacement parts and label all wires prior to disconnection. Verify proper operation after servicing. Incorrect parts substitution and wiring errors can cause damage, improper operation, fire, carbon monoxide, exposure to toxic fumes or other unexpected and unsafe conditions that can result in fire, personal injury or death.

1. Examine the appliance and venting system at least once a year. Check more often in first year to determine inspection interval.
 - a. Check all joints and pipe connections for tightness, corrosion or deterioration.
 - b. Check the electronic-ignition system for quick ignition and a proper flame signal.
 - c. Check all safety controls including thermostats for proper operation.
 - d. Check safety shut-off valves for operation and tightness.
 - e. Keep appliance area clear and free from combustible materials, gasoline and other flammable vapors and liquids.
 - f. Have the entire system, including, but not limited to, the burner, heat exchanger and venting system, periodically inspected by a qualified service agency.
2. Exposure to Dusty or Dirty Combustion Air: An appliance installed in a dust or dirt contaminated atmosphere will require more frequent inspection and cleaning of the burner to prevent nuisance shutdowns or premature burner failure.
3. Any sign of soot on the heat exchanger or in the flue indicates the need for a combustion inspection. Properly installed and adjusted units seldom need heat exchanger cleaning. If soot has formed, the most common causes are restricted combustion air or excessive gas. A blocked heat exchanger can cause unsafe operation and will reduce efficiency. To inspect and clean the heat exchanger, a qualified service agent or installer should use the procedures described in items 4, 5 & 6 below.
4. All gaskets on disassembled components must be replaced on reassembly with exact, Factory Authorized, replacement parts only. Gasket kits are available from your PVI Industries® Representative or by contacting PVI Industries®, LLC.
5. Burner and/or Heat Exchanger Inspection and Cleaning Procedure:
 - a. Turn off main power to unit.
 - b. Turn off gas supply.
 - c. Write notes and/or take pictures during this process to aid in correct reassembly.
 - d. Disconnect electrical the components by disconnecting the wires going to terminal strip in the top control enclosure and the respective conduit connections on the back of the control enclosure. If a wiring diagram is not attached to the back of the enclosure door or otherwise provided with the water heater, make careful notes of the locations for all the wires.
 - e. Remove the metal cover on top of the appliance by disconnecting the fasteners holding it to the plastic jacket.
 - f. Remove the hot surface igniter, (HSI) from the burner. Be very careful not to bump the igniter element due to the fragility of the igniter.
 - g. Break the unions that connect the gas train to the blower and the gas supply pipe. Remove the gas train.
 - h. Remove the nuts that secure the burner top plate to the combustion chamber and lift the blower/burner assembly up until it is completely extracted from water heater.
 - i. Inspect top plate refractory for damage. The refractory must provide a tight seal against the top edge of the burner deck.
 - j. Inspect the burner surface for signs of cracking or thermal fatigue.
 - k. If internal inspection of the burner is desired or the burner or blower must be replaced, remove the nuts that attach the blower to the burner top plate to remove the blower. The burner can now be extracted. Be careful not to damage the refractory when removing the burner. With the burner removed, inspect the deck surface of the burner for lent or other blockage carried in the fuel air stream. If blockage has accumulated, use brush to loosen debris and use a vacuum or water to remove it from the burner cavities.
 - l. Replace any damaged components and reassemble in reverse order. (4-5 ft/lbs).
 - m. Cycle unit and test to verify all safety and operating controls are properly functioning and the burner top plate flange is free of leaks.

CONQUEST® GAS BURNERS

6. Inspect the integral circulation pump for gasket leaks or failure or the pump motor. Rotation of the pump is indicated by the cooling fan on the back of the motor. See the Troubleshooting Guide or Table 10.8 for information about operation of the pump.
7. Inspect low water cutoffs and relief valves for proper operation at every six months, or more often if indicated by inspection.
8. The temperature and pressure relief valve should be checked at regular intervals to determine its condition for safe operation. Take proper precautions while operating relief valve to avoid contact with hot water coming out of the relief valve and to prevent water damage. The openings inside the valve may become inoperative. If the valve does not open and close properly when tested, it must be replaced. If a relief valve discharges periodically, this may be due to thermal expansion in a closed water supply system. Contact the water supplier or local plumbing inspector on how to correct the situation. Do not plug the relief valve. Replace relief valve with a like kind or one meeting the requirements stated on the rating decal located adjacent to the relief valve mounting location.
9. Keep appliance area clear and free from combustible materials, gasoline and other flammable vapors and liquids.
10. Check frequently to be sure the flow of combustion and ventilation air is unobstructed to the appliance.
11. When electrical controls are serviced or replaced, label all connections as they are removed, to know the proper placement on the replacement part.
12. All replacement parts are available through your PVI Industries® Dealer. If you need assistance identifying or contacting your local dealer, you may contact PVI Industries, LLC directly at the address and telephone number located on the first and last page of this manual.
13. If the appliance is to be shut down for an extended period of time, the primary gas valve and the water supply should be shut off. When the appliance is returned to service, any standing water in the tank must be flushed and a thorough inspection of all utilities and general appliance condition should be conducted.



Burner Attachment Layering Illustration

CONQUEST® GAS BURNERS

21 RECOMMENDED MAINTENANCE SCHEDULE

Regular service by a qualified service agency and routine maintenance must be performed to ensure safe, reliable and efficient operation.

Yearly (Every 12 Months)

Schedule annual service call by qualified service agency.

1. Check for piping leaks around pumps, relief valves, and tank connections. Repair, if found.
2. Check to ensure area is free from combustible materials, gasoline, and other flammable vapors or liquids.
3. Visually inspect venting system for proper function, deterioration or leakage.
4. Check temperature and pressure relief valve. Refer to manufacturer's instructions on valve.
5. Inspect condensate drain and ensure condensate is directed to an appropriate condensate system or drain, as required by local codes.
6. Check all operation of safety devices. Refer to manufacturer's instructions.
7. Inspect burner and gas train components for wear or deterioration.
8. Check the electronic-ignition system for quick ignition and proper flame signal.
9. Check gas safety shut-off valves for proper operation and tightness.
10. Follow startup procedure in the Installation & Maintenance Manual.

Semi-Annually (Every Six Months)

1. Test Low-water-cut-off (if equipped). Refer to manufacturer's instructions and reset.
2. Test the electronic-ignition flame failure detection system. Refer to manufacturer's instructions and reset.

Monthly

1. Check condensate drain system and refill the condensate neutralizer with replacement media (change interval as needed).
2. Visually inspect venting system for proper function, deterioration or leakage.
3. Confirm the low-water cutoff and alarm are operating.

Daily

1. Check for and remove any obstruction to the flow of combustion or ventilation air to the unit.
2. Check to ensure area is free from combustible materials, gasoline, and other flammable vapors or liquids.
3. Check gauges, monitors and indicators.

As Required

1. Open drain to remove any accumulated sediment. Start annually and adjust as local conditions and water quality require.
2. Flush and clean tank as required.

CONQUEST® GAS BURNERS

22 REQUIREMENTS FOR THE COMMONWEALTH OF MASSACHUSETTS:

This equipment complies with Massachusetts State Fuel Gas and Plumbing Codes CMR 248 3.00-10.00 as amended.

- a) For all side wall horizontally vented gas fueled equipment installed in every dwelling, building or structure used in whole or in part for residential purposes, including those owned or operated by the Commonwealth and where the side wall exhaust vent termination is less than seven (7) feet above finished grade in the area of the venting, including but not limited to decks and porches, the following requirements shall be satisfied:
- 1. INSTALLATION OF CARBON MONOXIDE DETECTORS:** At the time of installation of the side wall horizontal vented gas fueled equipment, the installing plumber or gasfitter shall observe that a hard wired carbon monoxide detector with an alarm and battery back-up is installed on the floor level where the gas equipment is to be installed. In addition, the installing plumber or gasfitter shall observe that a battery operated or hard wired carbon monoxide detector with an alarm is installed on each additional level of the dwelling, building or structure served by the side wall horizontal vented gas fueled equipment. It shall be the responsibility of the property owner to secure the services of qualified licensed professionals for the installation of hard wired carbon monoxide detectors.
 - a. In the event that the side wall horizontally vented gas fueled equipment is installed in a crawl space or an attic, the hard wired carbon monoxide detector with alarm and battery back-up may be installed on the next adjacent floor level.
 - b. In the event that the requirements of this subdivision cannot be met at the time of completion of installation, the owner shall have a period of thirty (30) days to comply with the above requirements; provided, however, that during said thirty (30) day period, a battery operated carbon monoxide detector with an alarm shall be installed.
 - 2. APPROVED CARBON MONOXIDE DETECTORS:** Each carbon monoxide detector as required in accordance with the above provisions shall comply with NFPA 720 and be ANSI/UL 2034 listed and IAS certified.
 - 3. SIGNAGE:** A metal or plastic identification plate shall be permanently mounted to the exterior of the building at a minimum height of eight (8) feet above grade directly in line with the exhaust vent terminal for the horizontally vented gas fueled heating appliance or equipment. The sign shall read, in print size no less than one-half (1/2) inch in size, "GAS VENT DIRECTLY BELOW. KEEP CLEAR OF ALL OBSTRUCTIONS".
 - 4. INSPECTION:** The state or local gas inspector of the side wall horizontally vented gas fueled equipment shall not approve the installation unless, upon inspection, the inspector observes carbon monoxide detectors and signage installed in accordance with the provisions of 248 CMR 5.08(2)(a)1 through 4.
- b) **EXEMPTIONS:** The following equipment is exempt from 248 CMR 5.08(2)(a)1 through 4:
1. The equipment listed in Chapter 10 entitled "Equipment Not Required To Be Vented" in the most current edition of NFPA 54 as adopted by the Board; and
 2. Product approved side wall horizontally vented gas fueled equipment installed in a room or structure separate from the dwelling, building or structure used in whole or in part for residential purposes.
- c) **MANUFACTURERS REQUIREMENTS – GAS EQUIPMENT VENTING SYSTEM REQUIRED:** When the manufacturer of Product Approved side wall horizontally mounted gas equipment provides a venting system design or venting system components with the equipment, the instructions provided by the manufacturer for the installation of the equipment and the venting shall include:
1. Detailed instructions for the installation of the venting system or the venting system components: and
 2. A complete parts list for the venting system design or venting system.
- d) **MANUFACTURER REQUIREMENTS – GAS EQUIPMENT VENTING SYSTEM NOT PROVIDED:** When the manufacturer of product approved side wall horizontally vented gas fueled equipment does not provide the parts for the venting of flue gases, but identifies "special venting systems," the following requirements shall be satisfied by the manufacturer:
1. The referenced "special venting system" instructions shall be included with the appliance or equipment installation instructions; and
 2. The "special venting systems" shall be product approved by the Board, and the instructions for that system shall include a parts list and detailed installation instructions. Detailed installation instructions and parts list are available online for the following venting systems for use on this equipment:
Heat Fab Website – Saf-T-Vent EZ-Seal Installation & Maintenance Instructions <http://www.heatfab.com/products/saf-t-vent/saf-t-vent-ez-seal.asp?xid=x1>
Metal-Fab Website – Metal-Fab CORR/GUARD Installation & Maintenance Instructions http://www.metal-fabcommercial.com/content/products/corr_guard
Selkirk Metalbestos Website – Saf-T-Vent EZ-Seal (same as Heat Fab) Installation & Maintenance Instructions <http://www.selkirkusa.com/products/venting.aspx>
- e) Relief valve must be installed and plumbed in accordance with the authority having jurisdiction. Massachusetts 248 CMR requires relief valve discharge 12 inches off finished floor.
- f) A copy of all installation instructions for all side wall horizontally vented gas fueled equipment, all venting instructions, all parts lists for venting instructions, and/or all venting design instructions shall remain with the appliance or equipment at the completion of the installation.

CONQUEST® GAS BURNERS

Since PVI cannot control the use of the appliance, water conditions, or maintenance, the warranty on the heat exchanger does not cover poor performance, structural failure, or leaking due to an excessive accumulation of scale.

Warranty Forms Ship Separately With Each Product

MODEL NUMBER: _____

SERIAL NUMBER: _____

INSTALLATION DATE: _____