

# Engineering Specification

Job Name \_\_\_\_\_  
 Job Location \_\_\_\_\_  
 Engineer \_\_\_\_\_  
 Approval \_\_\_\_\_

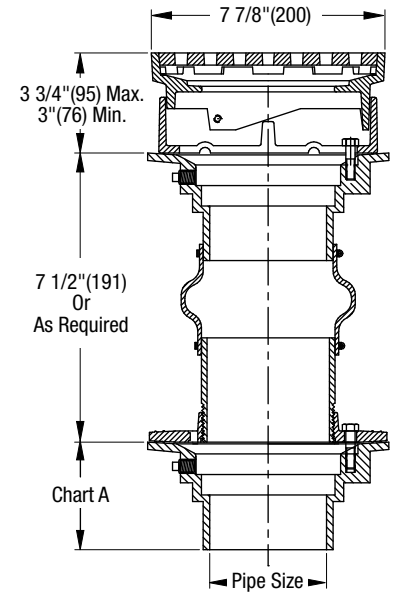
Contractor \_\_\_\_\_  
 Approval \_\_\_\_\_  
 Contractor's P.O. No. \_\_\_\_\_  
 Representative \_\_\_\_\_

## FD-620 Unfinished Area Isolation Drain

### Specification

Watts FD-620 epoxy coated cast iron isolation drain with epoxy coated cast iron upper and lower bodies, reversible membrane clamps with primary and secondary weepholes, 8" diameter adjustable top with heel proof ductile iron grate, neoprene movement compensator coupling, and ho hub (standard) outlet.

Call customer service if you need assistance with technical details.



Pipe Sizing		
Suffix	Description	
2	2"(51) Pipe Size	<input type="checkbox"/>
3	3"(76) Pipe Size	<input type="checkbox"/>
4	4"(102) Pipe Size	<input type="checkbox"/>
6	6"(152) Pipe Size (NH Only)	<input type="checkbox"/>

Outlet Type		
Suffix	Description	
NH	No Hub (MJ)	<input type="checkbox"/>
P	Push On	<input type="checkbox"/>
T	Threaded Outlet	<input type="checkbox"/>
X	Inside Caulk	<input type="checkbox"/>

Optional Body Material		
Suffix	Description	
-60	PVC Body (2, 3, 4" Only)	<input type="checkbox"/>
-61	ABS Body (2, 3, 4" Only)	<input type="checkbox"/>

Options			
Suffix	Description		
-1	Nickel Bronze Top	<input type="checkbox"/>	
-5	Sediment Bucket	<input type="checkbox"/>	
-6	Vandal Proof	<input type="checkbox"/>	
-7	Trap Primer Tapping	<input type="checkbox"/>	
-8	Backwater Valve (2, 3, 4" Only)	<input type="checkbox"/>	
-13	Galvanized Body	<input type="checkbox"/>	
-15	Strainer Extension (DD-50)	<input type="checkbox"/>	
-F4-50	4" Round Cast Iron Funnel	<input type="checkbox"/>	
-F4-1	4" Round Nickel Bronze Funnel	<input type="checkbox"/>	
-F6-1	6" Round Nickel Bronze Funnel	<input type="checkbox"/>	
-G-50	4" x 9" Oval Cast Iron Funnel	<input type="checkbox"/>	
-G-1	4" x 9" Oval Nickel Bronze Funnel	<input type="checkbox"/>	
-S0	Side Outlet	<input type="checkbox"/>	

Load Rating	Free Area Sq. In.
XHD	18

**Chart A**

Pipe Size	No Hub	P Push On	T Female Thread	X Inside Caulk	60/61 PVC/ABS
2"(52)	3 5/8"(92)	4 1/4"(108)	4 1/4"(108)	4 1/4"(108)	3 3/4"(95)
3"(76)	3 5/8"(92)	4 1/4"(108)	4 1/4"(108)	4 1/4"(108)	3 5/8"(92)
4"(102)	3 5/8"(92)	4 1/4"(108)	4 1/4"(108)	4 1/4"(108)	3 7/8"(94)
6"(152)	3 1/2"(89)	-	-	-	-

### NOTICE

The load classifications are in accordance with the American National Standard ASME A112.21.1M ASME Ratings are as follows:  
 XHD Safe Live Load 7500-10,000 lbs. (3375-4500 kg)  
 The above categories are given as a guide only. Please consult factory.

### NOTICE

The information contained herein is not intended to replace the full product installation and safety information available or the experience of a trained product installer. You are required to thoroughly read all installation instructions and product safety information before beginning the installation of this product.

Watts product specifications in U.S. customary units and metric are approximate and are provided for reference only. For precise measurements, please contact Watts Technical Service. Watts reserves the right to change or modify product design, construction, specifications, or materials without prior notice and without incurring any obligation to make such changes and modifications on Watts products previously or subsequently sold.

