

Engineering Specification

Job Name _____
 Job Location _____
 Engineer _____
 Approval _____
 Tag _____

Contractor _____
 Approval _____
 Contractor's P.O. No. _____
 Representative _____

FD-340-SET Area Drain with 12" Round Adjustable Top, Grate Supported by Bucket Specification



Watts FD-340-SET epoxy coated cast iron area drain with anchor flange, membrane clamp with weepholes, 12 1/2" diameter adjustable top, loose set heel proof ductile iron grate supported by bucket, and no hub connection (standard).

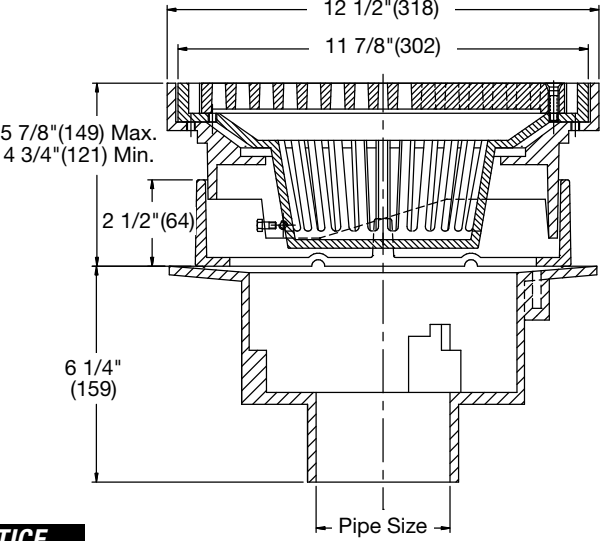
Pipe Sizing	
Suffix	Description
2	2"(51) Pipe Size <input type="checkbox"/>
3	3"(76) Pipe Size <input type="checkbox"/>
4	4"(102) Pipe Size <input type="checkbox"/>
5	5"(127) Pipe Size (NH Only) <input type="checkbox"/>
6	6"(152) Pipe Size <input type="checkbox"/>
8	8"(203) Pipe Size (NH Only) <input type="checkbox"/>

Outlet Type	
Suffix	Description
NH	No Hub (MJ) <input type="checkbox"/>
P	Push On <input type="checkbox"/>
T	Threaded Outlet <input type="checkbox"/>
X	Inside Caulk <input type="checkbox"/>

Optional Body Material	
Suffix	Description
-60	PVC Body w/Socket Outlet <input type="checkbox"/>
-61	ABS Body w/Socket Outlet <input type="checkbox"/>

Options	
Suffix	Description
-1	Nickel Bronze Top <input type="checkbox"/>
-6	Vandal Proof <input type="checkbox"/>
-7	Trap Primer Tapping <input type="checkbox"/>
-8	Backwater Valve (2, 3, 4" Only) <input type="checkbox"/>
-13	Galvanized <input type="checkbox"/>
-34	Closure Plug <input type="checkbox"/>
-F4-50	4" Round Cast Iron Funnel <input type="checkbox"/>
-F4-1	4" Round Nickel Bronze Funnel <input type="checkbox"/>
-F6-1	6" Round Nickel Bronze Funnel <input type="checkbox"/>
-G-50	4x9" Oval Cast Iron Funnel <input type="checkbox"/>
-G-1	4x9" Oval Nickel Bronze Funnel <input type="checkbox"/>
-S0	Side Outlet <input type="checkbox"/>

Load Rating	Free Area Sq. In.
HD	16



NOTICE
 The load classifications are in accordance with the American National Standard ASME A112.21.1M ASME Ratings are as follows:
 HD Safe Live Load 5000-7499 lbs. (2250-3375 kg)
 The above categories are given as a guide only. Please consult factory.

NOTICE
 The information contained herein is not intended to replace the full product installation and safety information available or the experience of a trained product installer. You are required to thoroughly read all installation instructions and product safety information before beginning the installation of this product.

Watts product specifications in U.S. customary units and metric are approximate and are provided for reference only. For precise measurements, please contact Watts Technical Service. Watts reserves the right to change or modify product design, construction, specifications, or materials without prior notice and without incurring any obligation to make such changes and modifications on Watts products previously or subsequently sold.

