

Engineering Specification

Job Name _____

Contractor _____

Job Location _____

Approval _____

Engineer _____

Contractor's P.O. No. _____

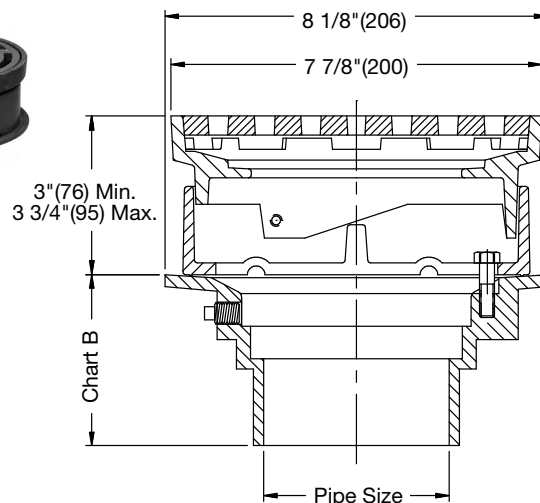
Approval _____

Representative _____

FD-320 Area Drain with 8" Adjustable Top Specification

Watts FD-320 epoxy coated cast iron area drain with anchor flange, body collar with weepholes, 8"(203) diameter adjustable top with heel proof ductile iron grate, and no hub (standard) outlet.

Call customer service if you need assistance with technical details.



Pipe Sizing		
Suffix	Description	
2	2"(51) Pipe Size	<input type="checkbox"/>
3	3"(76) Pipe Size	<input type="checkbox"/>
4	4"(102) Pipe Size	<input type="checkbox"/>
6	6"(152) Pipe Size (NH Only)	<input type="checkbox"/>

Optional Body Material		
Suffix	Description	
-60	PVC Body w/Socket Outlet	<input type="checkbox"/>
-61	ABS Body w/Socket Outlet	<input type="checkbox"/>

Outlet Type		
Suffix	Description	
NH	No Hub (MJ)	<input type="checkbox"/>
P	Push On	<input type="checkbox"/>
T	Threaded Outlet	<input type="checkbox"/>
X	Inside Caulk	<input type="checkbox"/>

Options		
Suffix	Description	
-1	Nickel Bronze Top	<input type="checkbox"/>
-5	Sediment Bucket	<input type="checkbox"/>
-6	Vandal Proof	<input type="checkbox"/>
-7	Trap Primer Tapping	<input type="checkbox"/>
-8	Backwater Valve (2, 3, 4" Only)	<input type="checkbox"/>
-13	Galvanized Body	<input type="checkbox"/>
-21	Secondary Strainer	<input type="checkbox"/>
-34	Closure Plug	<input type="checkbox"/>
-F4-50	4" Round Cast Iron Funnel	<input type="checkbox"/>
-F4-1	4" Round Nickel Bronze Funnel	<input type="checkbox"/>
-F6-1	6" Round Nickel Bronze Funnel	<input type="checkbox"/>
-G-50	4" x 9" Oval Cast Iron Funnel	<input type="checkbox"/>
-G-1	4" x 9" Oval Nickel Bronze Funnel	<input type="checkbox"/>
-S0	Side Outlet	<input type="checkbox"/>

Load Rating	Free Area
XHD	18

Chart B

Pipe Size	Std. No Hub	P Push On	T Female Thread	X Inside Caulk	60/61 PVC/ABS
2"(51)	3 5/8"(92)	4 1/4"(108)	4 1/4"(108)	4 1/4"(108)	3 3/4"(95)
3"(76)	3 5/8"(92)	4 1/4"(108)	4 1/4"(108)	4 1/4"(108)	3 3/4"(95)
4"(102)	3 5/8"(92)	4 1/4"(108)	4 1/4"(108)	4 1/4"(108)	3 7/8"(94)
6"(142)	3 1/2"(89)	-	-	-	-

NOTICE

The load classifications are in accordance with the American National Standards ASME A112.36.2M-91(R2012). ASME Ratings are as follows:
XHD - Safe Live Load 7500-10,000 lbs. (3375-4500)
The above categories are given as a guide only. Please consult factory.

NOTICE

The information contained herein is not intended to replace the full product installation and safety information available or the experience of a trained product installer. You are required to thoroughly read all installation instructions and product safety information before beginning the installation of this product.

Watts product specifications in U.S. customary units and metric are approximate and are provided for reference only. For precise measurements, please contact Watts Technical Service. Watts reserves the right to change or modify product design, construction, specifications, or materials without prior notice and without incurring any obligation to make such changes and modifications on Watts products previously or subsequently sold.

