

Engineering Specification

Job Name _____

Contractor _____

Job Location _____

Approval _____

Engineer _____

Contractor's P.O. No. _____

Approval _____

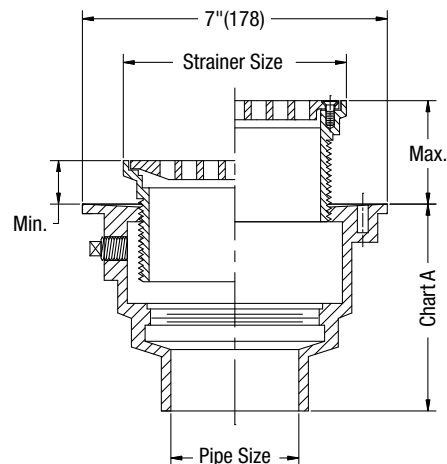
Representative _____

FD-1200-B Floor Drain with Round Heavy Duty Stainless Steel Strainer

Specification

Watts FD-1200-B on-grade epoxy coated cast iron floor drain with anchor flange, weepholes, adjustable heavy duty round heel proof stainless steel strainer, and no hub (standard) outlet.

Call customer service if you need assistance with technical details.



Pipe Sizing	
Suffix	Description
2	2"(51) Pipe Size <input type="checkbox"/>
3	3"(76) Pipe Size <input type="checkbox"/>
4	4"(102) Pipe Size <input type="checkbox"/>

Outlet Type	
Suffix	Description
NH	No Hub (MJ) <input type="checkbox"/>
P	Push On <input type="checkbox"/>
X	Inside Caulk <input type="checkbox"/>

Strainer	
Suffix	Description
B5	5"(127) Dia., Stainless Steel <input type="checkbox"/>
B6	6"(152) Dia., Stainless Steel <input type="checkbox"/>
B8	8"(203) Dia., Stainless Steel <input type="checkbox"/>

Optional Body Material	
Suffix	Description
-60	PVC Body w/Socket Outlet <input type="checkbox"/>
-61	ABS Body w/Socket Outlet <input type="checkbox"/>

Options	
Suffix	Description
-5	Sediment Bucket <input type="checkbox"/>
-6	Vandal Proof <input type="checkbox"/>
-7	Trap Primer Tapping <input type="checkbox"/>
-8	Backwater Valve (2, 3, 4" Only) <input type="checkbox"/>
-13	Galvanized Body <input type="checkbox"/>
-15	Strainer Extension (DD-50) <input type="checkbox"/>
-28	304 SS Body & Collar <input type="checkbox"/>
-F4-50	4" Round Cast Iron Funnel <input type="checkbox"/>
-F4-1	4" Round Nickel Bronze Funnel <input type="checkbox"/>
-F6-1	6" Round Nickel Bronze Funnel <input type="checkbox"/>
-G-50	4" x 9" Oval Cast Iron Funnel <input type="checkbox"/>
-G-1	4" x 9" Oval Nickel Bronze Funnel <input type="checkbox"/>
-G-3	4" x 9" Oval SS Funnel <input type="checkbox"/>

Strainer Size

Str. Size	Min.	Max.	Load Rating	Free Area Sq. In.
5"(127)	7/16"(11)	2 1/4"(57)	XHD	8
6"(152)	5/8"(16)	2 1/4"(57)	XHD	9
8"(203)	3/4"(19)	2 3/4"(70)	XHD	18

Chart B

Pipe Size	Std. No Hub	P Push On	60/61 PVC/ABS
2"(51)	4 1/2"(114)	5 1/2"(140)	4"(102)
3"(76)	4 1/2"(114)	5 1/2"(140)	4"(102)
4"(102)	4 3/4"(121)	5 1/2"(140)	4"(102)

NOTICE

The load classifications are in accordance with the American National Standards A112.21.1M. ASME Ratings are as follow:
XHD - Safe Live Load 7500-10,000 lbs. (3375-4500 kg).
These categories are given as a guide only.
Please consult factory.

NOTICE

The information contained herein is not intended to replace the full product installation and safety information available or the experience of a trained product installer. You are required to thoroughly read all installation instructions and product safety information before beginning the installation of this product.

Watts product specifications in U.S. customary units and metric are approximate and are provided for reference only. For precise measurements, please contact Watts Technical Service. Watts reserves the right to change or modify product design, construction, specifications, or materials without prior notice and without incurring any obligation to make such changes and modifications on Watts products previously or subsequently sold.

