

Engineering Specification

Job Name _____

Contractor _____

Job Location _____

Approval _____

Engineer _____

Contractor's P.O. No. _____

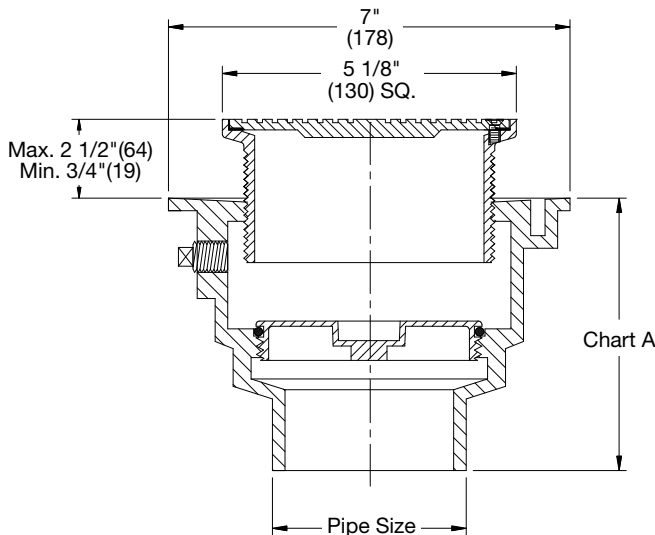
Approval _____

Representative _____

CO-1200-S Floor Cleanout with Heavy Duty Square Stainless Steel Top Specification

Watts CO-1200-S epoxy coated cast iron floor cleanout with 5" x 5"(127x127) square adjustable gasketed heavy duty stainless steel top, removable gas tight gasketed brass cleanout plug, and no hub (standard) outlet

Call customer service if you need assistance with technical details.



Pipe Sizing		
Suffix	Description	
2	2"(51) Pipe Size	<input type="checkbox"/>
3	3"(76) Pipe Size	<input type="checkbox"/>
4	4"(102) Pipe Size	<input type="checkbox"/>

Optional Body Material		
Suffix	Description	
-60	PVC Body w/Poly Plug	<input type="checkbox"/>
-61	ABS Body w/Poly Plug	<input type="checkbox"/>

Outlet Type		
Suffix	Description	
NH	No Hub (MJ)	<input type="checkbox"/>
P	Push On	<input type="checkbox"/>
X	Inside Caulk	<input type="checkbox"/>

Options		
Suffix	Description	
-C	Membrane Clamp	<input type="checkbox"/>
-6	Vandal Proof	<input type="checkbox"/>
-13	Galvanized Body	<input type="checkbox"/>
-28	304 SS Body & Plug	<input type="checkbox"/>

Load Rating
HD

CHART A

Pipe Size	NH No Hub (MJ)	P Push On	60/61 PVC/ABS
2"	4 1/2"(114)	5 1/2"(140)	4"(102)
3"	4 1/2"(114)	5 1/2"(140)	4"(102)
4"	4 3/4"(121)	5 1/2"(140)	4"(102)

NOTICE

The information contained herein is not intended to replace the full product installation and safety information available or the experience of a trained product installer. You are required to thoroughly read all installation instructions and product safety information before beginning the installation of this product.

NOTICE

The load classifications are in accordance with the American National Standards ASME A12.21.1M ASME Ratings are as follows:
 HD - Safe Live Load 5000-7499 lbs. (2250-3375 kg)
 The above categories are given as a guide only. Please consult factory.

Watts product specifications in U.S. customary units and metric are approximate and are provided for reference only. For precise measurements, please contact Watts Technical Service. Watts reserves the right to change or modify product design, construction, specifications, or materials without prior notice and without incurring any obligation to make such changes and modifications on Watts products previously or subsequently sold.

