

For Health Hazard Applications

Job Name _____ Contractor _____
 Job Location _____ Approval _____
 Engineer _____ Contractor's P.O. No. _____
 Approval _____ Representative _____

Series S8C

Backflow Preventer for Tub and Shower Hand Spray Sets

Series S8C is a unique device specially made for use with tub and shower hand spray sets. Attachment threading complies with standard production shower heads and spray hose sets and the installation requires no plumbing changes. The device is screwed directly between shower head and hose. Its purpose is to prevent the flow of contaminated water back into the potable water supply. Maximum pressure 125 psi (8.6 bar). Maximum temperature 180°F (82°C).

MODELS

No. S8C - Polished Chrome Finish

Inlet Connection: Sizes $\frac{3}{8}$ " or $\frac{1}{2}$ " (10 or 15mm)
NPTF standard female pipe thread.

Outlet Connection: Size $\frac{1}{2}$ " (15mm)
NPTM standard male pipe thread.

No. S8 - Plain Brass

Inlet Connection: Sizes $\frac{3}{8}$ " or $\frac{1}{2}$ " (10 or 15mm)
NPTF standard female pipe thread.

Outlet Connection: Size $\frac{1}{2}$ " (15mm)
NPTM standard male pipe thread.

FEATURES

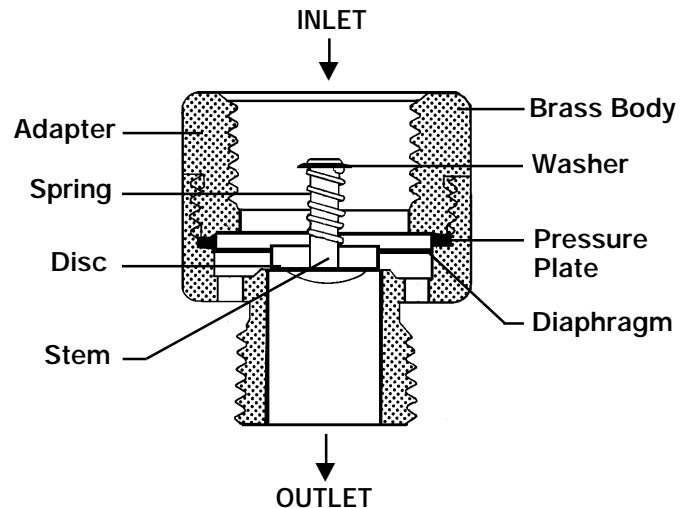
- Polished chrome or brass finish
- Stainless steel working parts for longevity
- Durable rubber diaphragm and disc provides positive seating
- Compact size

SPECIFICATIONS

For ANTI-SIPHON VACUUM BREAKERS

A hose connection type anti-siphon vacuum breaker shall be installed where indicated on the plans to prevent the back siphonage of contaminated water. The valve shall have a polished chrome finish and solid brass body. Internal components shall be stainless steel and plastic for corrosion resistance. Valve shall have resilient seating in both the check and air inlet seats. The valve shall be ASSE approved and shall be a Watts Regulator Company Series S8C.

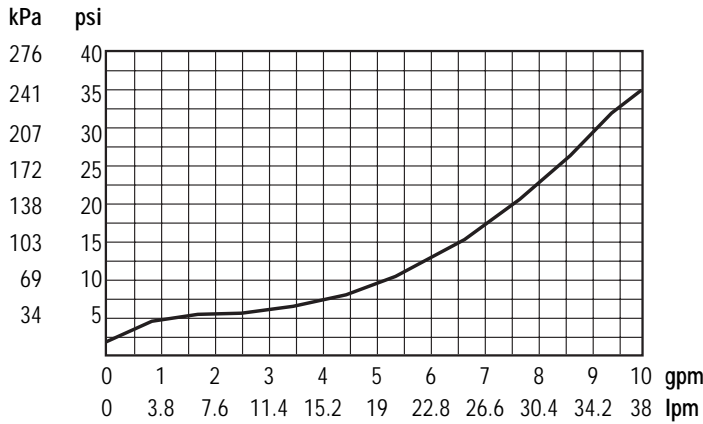
No. S8



Watts product specifications in U.S. customary units and metric are approximate and are provided for reference only. For precise measurements, please contact Watts Technical Service. Watts reserves the right to change or modify product design, construction, specifications, or materials without prior notice and without incurring any obligation to make such changes and modifications on Watts products previously or subsequently sold.

WATTS®
REGULATOR

CAPACITY



STANDARDS

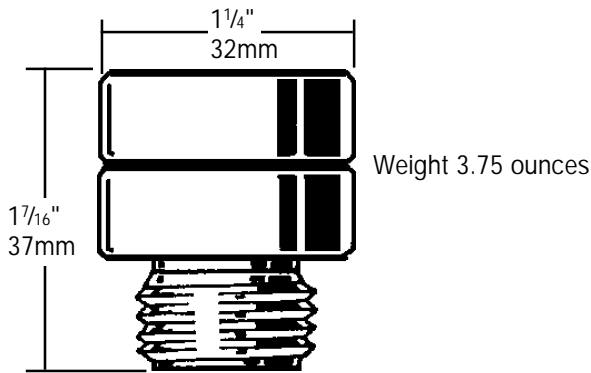
1/2" (15mm) No. S8C and S8 are tested and certified under ANSI A1121.3 (ASSE 1011). This valve is not suitable for continuous pressure and is not protection against backpressure.

Listed by IAPMO.



IMPORTANT: INQUIRE WITH GOVERNING AUTHORITIES FOR LOCAL INSTALLATION REQUIREMENTS.

DIMENSIONS - WEIGHT

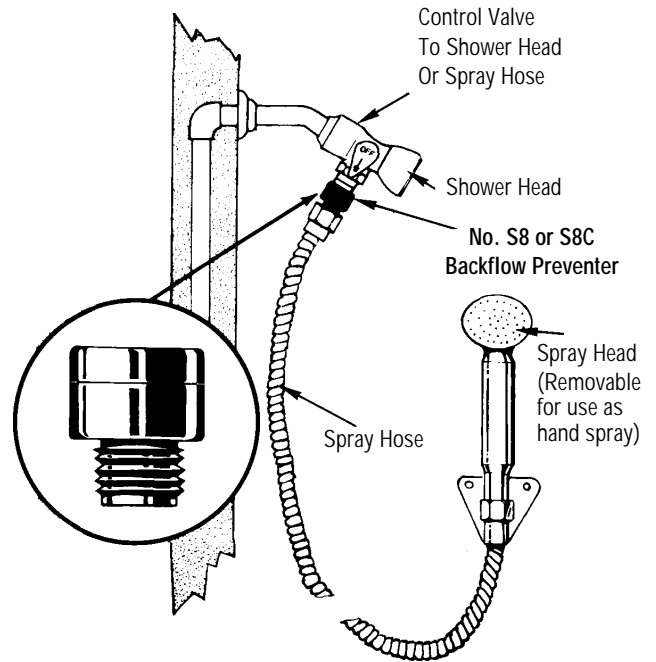


MATERIAL SPECIFICATIONS

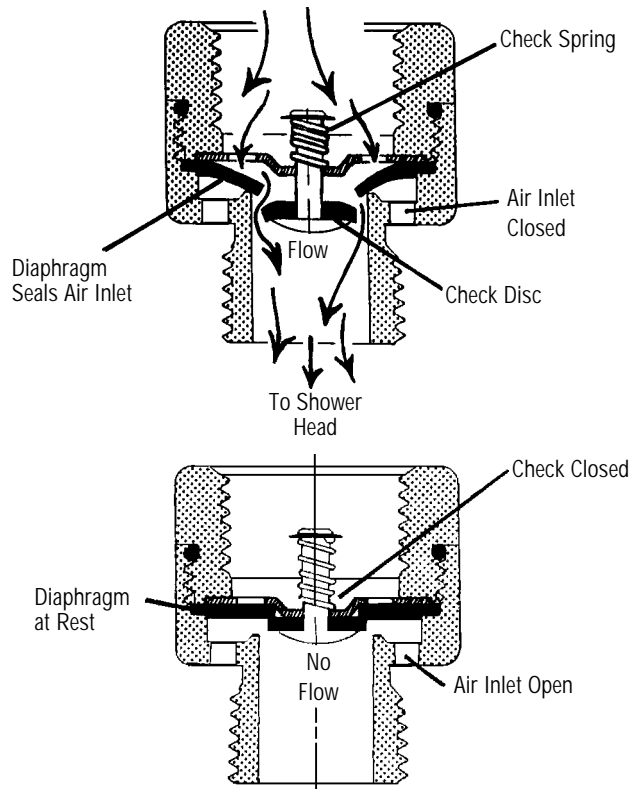
Brass body, stainless steel working parts, durable rubber diaphragm and disc.

INSTALLATION

Do not install where occasional discharge of water would be objectionable or cause damage.



OPERATION



USA: 815 Chestnut St., No. Andover, MA 01845-6098; www.wattsreg.com
 Canada: 5435 North Service Rd., Burlington, ONT. L7L 5H7; www.wattsca.com

