

For Water Heater/Tank Applications

Job Name _____ Contractor _____
 Job Location _____ Approval _____
 Engineer _____ Contractor's P.O. No. _____
 Approval _____ Representative _____

Model N360, N360I Vacuum Relief Valves

Sizes: 1/2" and 3/4" (15 and 20mm) Male NPT
& 3/4" MNPT x 3/4" FNPT

Features

- Low profile
- All brass body
- Can be mounted in a vertical or horizontal position
- Suitable for low pressure steam and water service
- Tested and rated to ANSI Z21.22
- CSA certified

Applications

- Domestic water heaters and supply tanks
- Table top heaters
- Jacketed steam kettles
- Unit heaters
- Low pressure steam systems
- Steam coil heaters

Note: Vacuum relief valves are not designed or approved as back-siphonage backflow preventers. For protection against back-siphonage install Watts Series 288A vacuum breakers.

Pressure/Temperature

Maximum steam working pressure: 15 psi (1.03 bar)

Maximum temperature: 250°F (121°C)

Standards

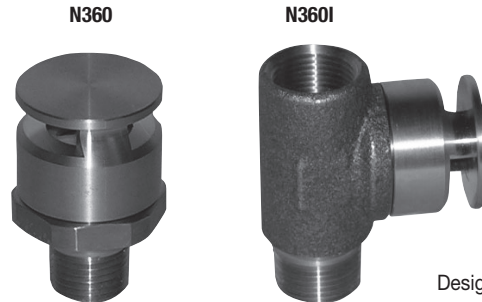
Tested and rated to ANSI Z21.22

CSA certified

Specifications

Watts Models N360 and N360I Vacuum Relief Valves shall be installed on domestic hot water supply tanks/ heaters/ unit heaters/ steam kettles as indicated on plans. The vacuum relief valve shall be ANSI Z21.22 rated and CSA certified. The vacuum relief valve shall have an all brass body with an intrigal protective cover. The valve shall be mounted in a vertical or horizontal position. The valve shall be a Watts Model N360, N360I.

Tested and rated under "ANSI Z21.22
Relief Valves for Hot Water Supply Systems".



Design certified by



For automatic venting of a closed system to atmosphere when a vacuum is created. The Watts N360 Vacuum Relief Valve permits air to enter and prevent vacuum conditions that could siphon the water from the system, resulting in collapse of a tank or water heater or equipment burn out.

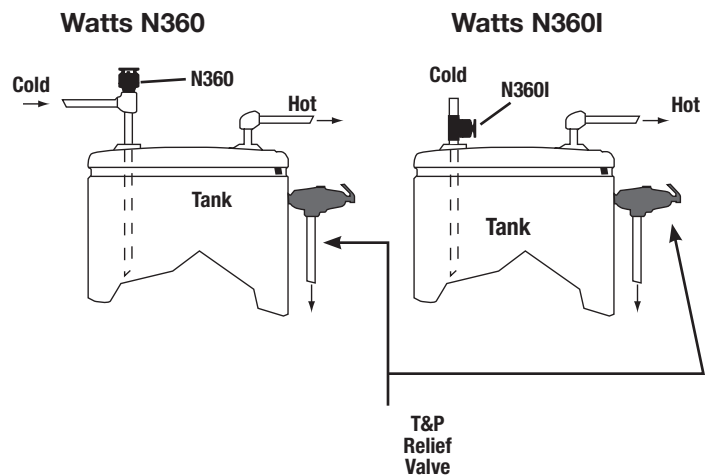


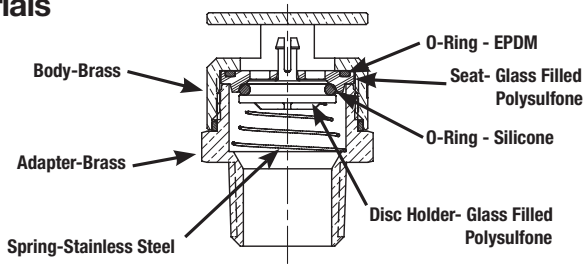
Figure 1
Domestic Hot Water Supply Tanks and Heaters
with Top Supply

WATTS®

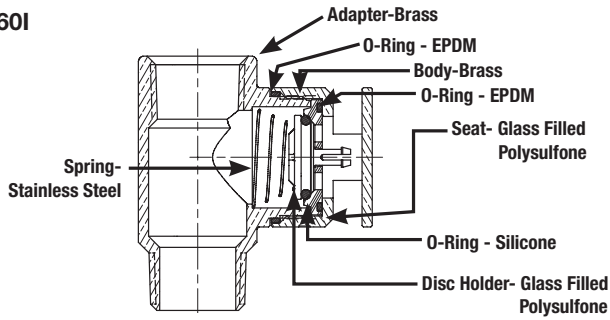
Watts product specifications in U.S. customary units and metric are approximate and are provided for reference only. For precise measurements, please contact Watts Technical Service. Watts reserves the right to change or modify product design, construction, specifications, or materials without prior notice and without incurring any obligation to make such changes and modifications on Watts products previously or subsequently sold.

Materials

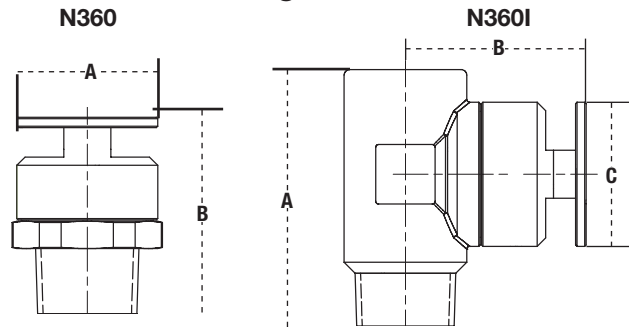
N360



N360I



Dimensions / Weight



| MODEL | SIZE (DN) | DIMENSIONS | | | WEIGHT | | |
|-------|-----------|------------|-----------|----------|--------|-----|-----|
| | | A | B | C | oz. | gr. | |
| N360 | 1/2 15 | 1 1/2 38 | 2 5/16 58 | - | - | 9 | 255 |
| N360 | 3/4 20 | 1 1/2 38 | 2 3/16 55 | - | - | 9 | 255 |
| N360I | 3/4 20 | 2 3/4 70 | 1 7/8 48 | 1 1/2 38 | 13 | 369 | |

Capacity

| SIZE (DN) | | | |
|-----------|----|------------|--------------|
| in. | mm | Model | Capacity LPM |
| 1/2 | 15 | N360/N360I | 425 |
| 3/4 | 20 | N360/N360I | 425 |

Typical Installations

Water Service

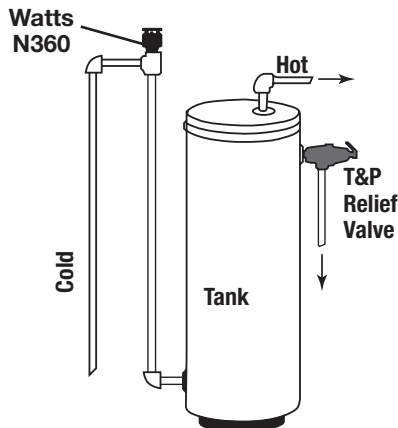


Figure 2

Domestic Hot Water Supply Tanks and Heaters with Bottom Feed

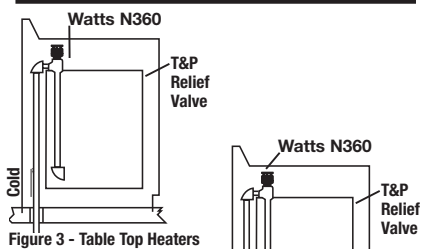


Figure 3 - Table Top Heaters

Figure 3 - Table Top Heaters

Steam Service

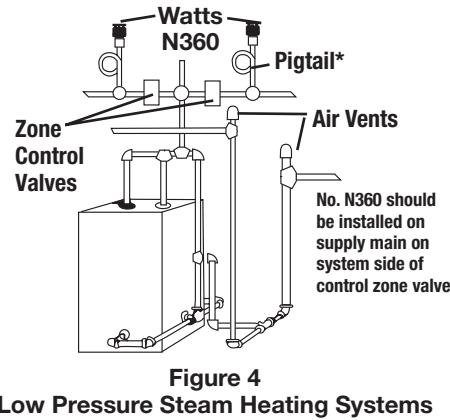


Figure 4

Low Pressure Steam Heating Systems

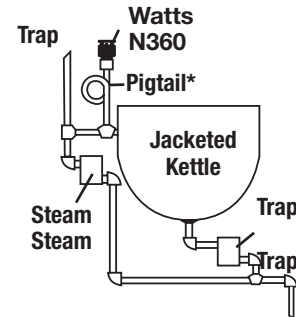


Figure 5

Jacketed Kettles

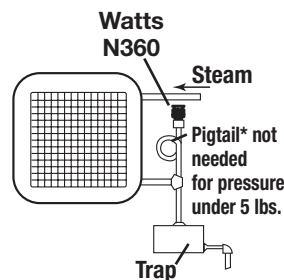


Figure 6
Unit Heaters

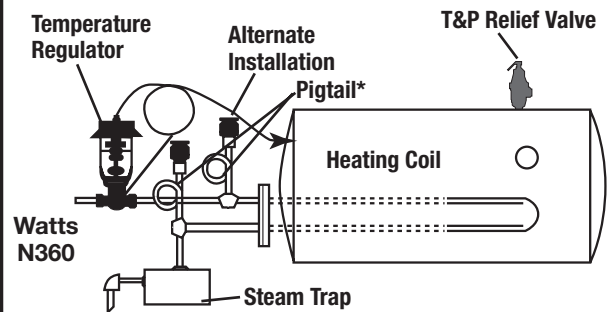


Figure 7
Steam Coil Heaters

*Note: When used for steam service, be sure to use pigtail to prevent live steam from damaging N360, N360I valve.

WATTS®

Backflow Prevention Products

ES-N360/N360I 0731

USA: 815 Chestnut St., No. Andover, MA 01845-6098; www.watts.com
Canada: 5435 North Service Rd., Burlington, ONT. L7L 5H7; www.wattscanada.ca

© Watts Regulator Company, 2007