

For Residential and Commercial Applications

Job Name _____
 Job Location _____
 Engineer _____
 Approval _____

Contractor _____
 Approval _____
 Contractor's P.O. No. _____
 Representative _____

Series 215

Super Sensitive Low Pressure Regulators

Sizes: 1/4" – 3/8" (8 – 10mm)

Series 215 Super Sensitive Low Pressure Regulators are designed to meet low pressure precision requirements. The high ratio of diaphragm to orifice provides excellent performance and stability at low reduced pressure. The Series 215 is ideally suited for water requirements up to 2.5 gpm (9.5 lpm) due to its brass body and brass & stainless steel internal parts. The 215 is also suitable for pressure supply to wall attachment fluidic devices.

Features

- Rugged forged brass body for water service
- Replaceable stainless steel seat
- Large diaphragm provides exceptional performance, particularly under 10psi (69 kPa)
- 30 mesh stainless steel strainer

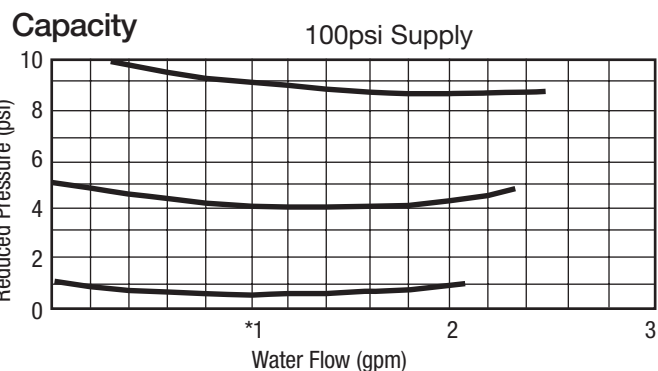
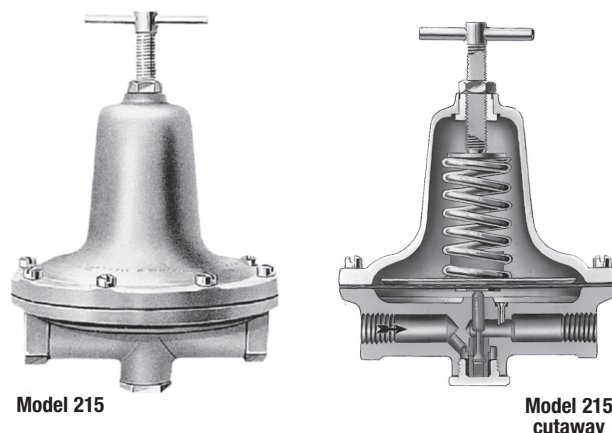
Materials

Body: Brass
 Seat: Replaceable stainless steel
 Strainer: Stainless steel

Pressure – Temperature

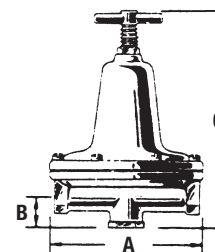
Temperature Range: 0°F – 120°F (-18°C – 49°C)
 Maximum Working Pressure: 300psi (20.7 bar)
 Reduced Pressure Range:

Suffix	Range		Std. set at	
	psi	kPa	psi	kPa
A	0 – 8	0 – 55	4	28
B	0 – 20	0 – 138	10	69
C	0 – 50	0 – 345	15	103



*Note: 1gpm equals 3.785 liters per minute; 1psi equals .07 bar.

Dimensions – Weight



SIZE (DN)		A		B		C		WEIGHT	
in.	mm	in.	mm	in.	mm	in.	mm	lbs.	kgs.
1/4	8	4 1/4	108	1 1/4	32	6	152	2.5	1.1
3/8	10	4 1/4	108	1 1/4	32	6	152	2.5	1.1

Watts product specifications in U.S. customary units and metric are approximate and are provided for reference only. For precise measurements, please contact Watts Technical Service. Watts reserves the right to change or modify product design, construction, specifications, or materials without prior notice and without incurring any obligation to make such changes and modifications on Watts products previously or subsequently sold.



USA: 815 Chestnut St., No. Andover, MA 01845-6098; www.watts.com
Canada: 5435 North Service Rd., Burlington, ONT. L7L 5H7; www.wattscanada.ca

