

Installation, Operation and Maintenance Manual

OneFlow[®] Anti-Scale System

Model OF817-8H
OF817-12H
OF1019-20H

OneFlow[®] Anti-Scale Systems
for Hot Water

Chemical-Free, Salt-Free
Scale Prevention

⚠ WARNING



Read this Manual **BEFORE** using this equipment.
Failure to read and follow all safety and use information
can result in death, serious personal injury, property
damage, or damage to the equipment.
Keep this Manual for future reference.

Introduction

The OneFlow[®] Anti-Scale System for hot water provides protection from scale formation on internal plumbing surfaces where the hot water feed line is being further heated, such as a booster heater. These OneFlow systems use specially designed components to work in applications where the incoming water is heated between 100°F - 140°F (38°C - 60°C) but has not yet been treated for scale control. These types of applications typically involve protecting and extending the life of equipment and instruments from the damaging effects of hard water scale.

OneFlow prevents scale by transforming dissolved hardness minerals into harmless, inactive microscopic crystal particles. These crystals stay suspended in the water, have a greatly reduced ability to react negatively like dissolved hardness does, and eventually find their way to the drain. OneFlow is particularly useful in higher temperature applications where scale formation is accelerated. The system requires very little maintenance, no backwashing, no salt and no electricity. Typical hardness problems, especially build-up of scale in boilers and steamers is greatly reduced.

OneFlow is not a water softener or a chemical additive (like anti-scalants or sequestrants). It is a scale prevention device with proven third party laboratory test data and years of successful residential and commercial installations. OneFlow is the one water treatment device that effectively provides scale protection and is a great salt-free alternative to water softening (ion exchange) or scale sequestering chemicals. Laundry and warewashing chemistry will likewise require adjustments.

⚠ WARNING

You are required to consult the local building and plumbing codes prior to installation. If the information in this manual is not consistent with local building or plumbing codes, the local codes should be followed. Inquire with governing authorities for additional local requirements.



OneFlow Benefits

- Chemical-free scale prevention and protection – converts hardness minerals to harmless, inactive microscopic crystals making OneFlow an effective alternative technology to a water softener for the prevention of scale due to water hardness
- Virtually maintenance free – no control valve
- System and components designed to work specifically with hot water applications
- Uses environmentally friendly technology by using no salt or other chemicals to constantly add, no electricity and no wastewater
- Improves efficiency of water using appliances and equipment
- Simple sizing and installation – all you need to know is pipe size and flow rate
- Built-in bypass valve provides flexibility for off-line service or media replacement
- OneFlow does not remove minerals or add sodium to the water supply
- Long life media requires replacement once every three years
- Effective retro-fit technology where scale control was not previously considered



OneFlow media is certified by WQA
to NSF/ANSI/CAN Standard 61 and
NSF/ANSI 372 for Lead Free compliance.

⚠ WARNING

Do not use with water that is microbiologically unsafe or of unknown quality without adequate disinfection before or after the system.

WATTS[®]

Specifications

A OneFlow scale prevention system for hot water shall be installed on the hot water feed line just prior to the equipment it is intended to protect. The temperature of the feed water should consistently range between 100°F - 140°F (38°C - 60°C) as all of the components are designed to work in this elevated temperature condition. The OneFlow system shall effectively reduce water hardness scale concerns thereby protecting heat-transfer and other surfaces from the negative effects of scale. The system shall be furnished with a factory supplied bypass valve to allow isolation of tank(s) and to allow the bypass of untreated hot water in the event that service or media replacement be necessary. The installation area should be suitable in size for the tank(s) to be serviced without encumbrance and allow the tank to sit upright on a flat level surface.

The system must operate in an upflow manner and does not require additional water to backwash, flush, or regenerate once put into service. The system does not require any chemical additives and does not require electricity for operation.

NOTICE

Not for use on closed loop systems.

Standards

Independent scientific testing has confirmed media-assisted crystallization (MAC) technology provides scale reduction of over 95+%. Testing was conducted under protocol based on DVGW W512 test to access control of scale formation.

CAUTION

- Not for use on closed loop systems.
- Must be used on hot water. This system is not designed for cold (<100°F) water. For cold water operation contact your Watts® Representative for a system designed for cold water operation.
- Do not let the system freeze. Damage to the tank may result.
- System must be operated in a vertical position. Do not lay it down during operation. The system may be placed in any position for shipping and installation but must be operated in the vertical position.
- Place the system on a smooth, level surface. Because the system operates in an upflow, fluidized bed mode, having a level surface is more important than with a softener or media filter.
- A bypass valve should be installed on every system to facilitate installation and service.
- Observe all local plumbing and building codes when installing the system.

WARNING

Using OneFlow with Other Water Treatment Equipment

Due to the unique properties of OneFlow, there are some unique requirements for using OneFlow in conjunction with filtration or other forms of water treatment.

1. OneFlow must be the last stage in the treatment chain. Do not install any filters after OneFlow or before any devices for which scale prevention is required. POU filters, e.g. carbon, RO or Ultraviolet (UV) are exempt from this requirement.
2. Do not apply any other antiscalant before or after OneFlow.
3. The addition of soaps, chemicals, or cleaners, before or after OneFlow treatment, may reverse its anti-scale treatment effects and/or create water with a heavy residue or spotting potential. Any adverse conditions caused by the addition of soaps, chemicals, or cleaners are the sole responsibility of the end user.
4. OneFlow is not a water softener and does not soften the water – Water treatment chemistry (e.g. antiscalants, sequestrants, soaps, chemicals or cleaners etc...) will most likely have to be changed to be compatible with OneFlow treated water. Laundry and ware-washing chemistry will likewise require adjustments.

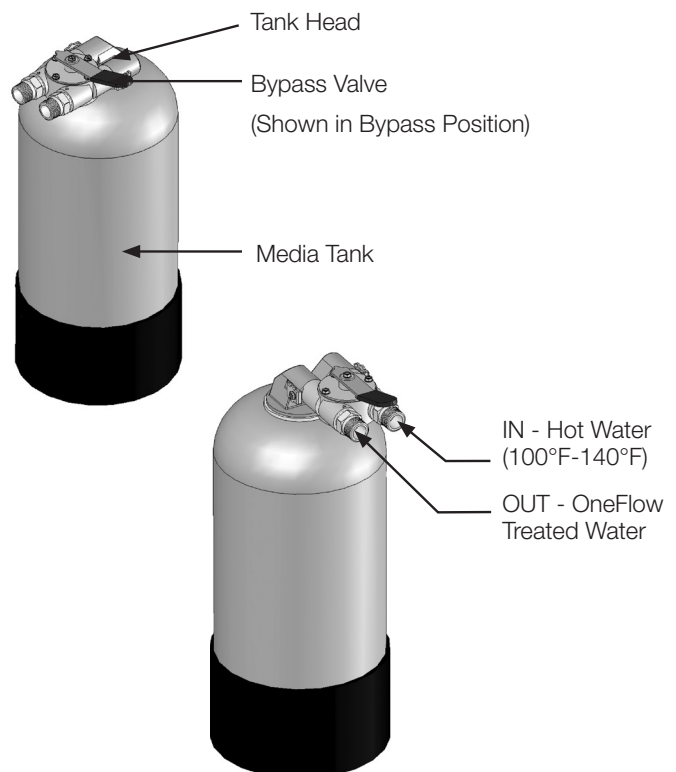
NOTICE

Spotting May Occur on External Plumbing Surfaces

OneFlow media systems perform best in single pass potable water applications with NO additional chemical additives. Depending on hardness, soft scale spotting may occur. Soft scale spots in most cases can be easily wiped down with a damp cloth and will not form hard scale deposits. A Point of Use (POU) Water Softener should be used on mandatory spot-free applications (e.g. glass stemware, dishware).

Hot Water System Overview

Figure 1.



Equipment Specifications

OneFlow systems are complete, self-contained, loaded with media and ready to use. A simple inlet and outlet connection is all that is required for installation. Please review operating pressures, temperatures and water chemistry limitations to ensure compatibility.

Feed Water Chemistry Requirements

pH	6.5-8.5
Hardness (maximum)	30 grains (513 ppm CaCO ₃)*
Water Pressure	15 psi to 100 psi (1.03 bar to 6.9 bar)
Temperature	100° F to 140° F (38°C to 60°C)
Free Chlorine	<2 ppm
Iron (maximum)	0.3 ppm**
Manganese (maximum)	0.05 ppm**
Copper (maximum)	1.3 ppm***
Oil & H ₂ S	Must be Removed Prior to OneFlow
Total Phosphates	< 3.0 ppm
Silica (maximum)	20 ppm†
TDS	<1500 mg/L††

NOTICE

* Systems using OneFlow technology are effective at controlling lime-scale formation inside the plumbing system at influent hardness levels up to 75 grains per gallon (1282 ppm) as calcium carbonate. Due to variances in water chemistry, 30 grains per gallon is a recommended hardness maximum due to potential aesthetic issues related to soft scale residue formation outside of the plumbing system. Testing should be performed to determine proper application where hardness levels exceed 30 grains per gallon.

** Just as with conventional water softening media, OneFlow media needs to be protected from excess levels of certain metals that can easily coat the active surface, reducing its effectiveness over time. Public water supplies rarely, if ever, present a problem, but if the water supply is from a private well, confirm that the levels of iron (Fe) and manganese (Mn) are less than 0.3 mg/L and 0.05 mg/L, respectively.

WARNING

***Pursuant to the EPA drinking water standards, the copper concentration permitted is up to 1.3 ppm. Typically originating from new copper plumbing, high levels of copper can foul OneFlow media. New Copper lines need to be passivated for a minimum of 4 weeks before placing unit into service. For applications with copper concentration greater than 1.3 ppm, please consult Watts Water Quality Technical Service. To further minimize any problem with excess copper, avoid applying excessive flux on the inner surfaces of the pipe and use a low-corrosivity water soluble flux listed under the ASTM B813 standard.

NOTICE

†OneFlow media does not reduce silica scaling. While silica tends to have a less significant effect on scale formation than other minerals, it can act as a binder that makes water spots and scale residue outside the plumbing system difficult to remove. This 20 ppm limitation is for aesthetic purposes.

††All other contaminants must meet the requirements of the USEPA Safe Drinking Water Act. Specific Mineral and Metal MCL's, identified in Watts published Feed Water Chemistry Requirements, supersedes the USEPA SDWA.

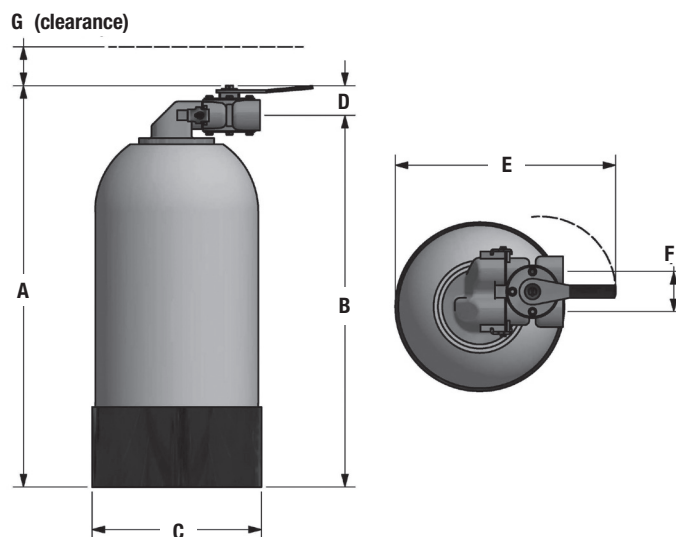
Water known to have heavy loads of dirt and debris may require pre-filtration prior to OneFlow®.

Mechanical Specifications

Model	OF817-8H	OF817-12H	OF1019-20H
Inlet/Outlet Connections	1" FNPT	1" FNPT	1" FNPT
Maximum Flow Rate	8 gpm	12 gpm	20 gpm
Dry Weight (lbs/kgs)	15 lbs./ 6.8 kgs.	16 lbs./ 7.3 kgs.	26 lbs./ 11.8 kgs.
Service Weight (lbs/kgs)	37 lbs./ 16.8 kgs.	38 lbs./ 17.3 kgs.	60 lbs./ 27.3 kgs.

Replacement Media

Model	Replacement Frequency
OF817-8HRM	Media must be replaced every 3 years
OF817-12HRM	Media must be replaced every 3 years
OF1019-20HRM	Media must be replaced every 3 years



Dimensions

Model	Dimensions							
	A		B		C		D	
	in.	mm	in.	mm	in.	mm	in.	mm
OF817-8H	20	508	18 ⁵ / ₈	472	8 ¹ / ₂	216	1 ³ / ₈	36
OF817-12H	20	508	18 ⁵ / ₈	472	8 ¹ / ₂	216	1 ³ / ₈	36
OF1019-20H	22	559	20 ⁵ / ₈	523	10 ¹ / ₂	267	1 ³ / ₈	36

Weight

	E		F		G		lbs.	kgs
	in.	mm	in.	mm	in.	mm		
11	279	2	51	6	152	15	6.8	
11	279	2	51	6	152	16	7.3	
13	330	2	51	6	152	26	11.8	

NOTICE

Anytime OneFlow systems are installed above the ground floor of a building it is recommended that a **vacuum relief valve** also be installed to protect against tank collapse in the event the plumbing system is drained. If a vacuum relief valve is not used then the system should be placed in bypass anytime the plumbing system is drained. The EDP code for the suggested vacuum relief valve is 0556031 (not included). The vacuum relief valve should be installed on the outlet of the system.

NOTICE

The tank is only partially filled with media. The tank is much lighter than a water softener and may appear to be nearly empty. This is normal and necessary for the Upflow-fluidized bed operation of the system.

Installation

Tighten the Tank Head

NOTICE

Check the head on top of the tank. It is common for it to loosen during shipment. Tighten the head by hand until tight.

NOTICE

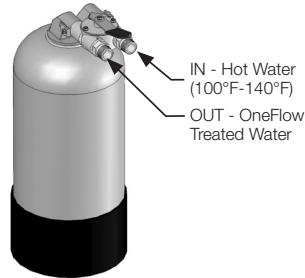
System must be operated in a vertical position. Do not lay it down during operation.

1. Place the system in the desired location. Ensure adequate clearance so the bypass valve can be operated when necessary.

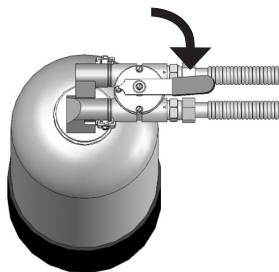
NOTICE

The OneFlow system operates in the Upflow mode which is opposite of a conventional softener. (The arrows cast into the bypass valve are intended for a conventional softener and are, therefore, the OPPOSITE of the correct OneFlow operating flow.)

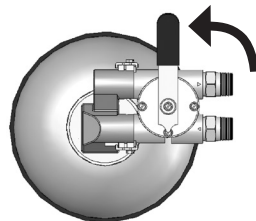
2. Connect the Hot Water supply to the inlet of the OneFlow system. We recommend the use of flexible Stainless Steel connectors (not supplied with the system but available from Watts). Include a supply valve (user supplied) in this supply line. The full weight of the piping and valves must be supported by pipe hangers or other means. Observe standard plumbing practices and local plumbing codes.



3. Place the bypass valve in the SERVICE position (as shown in Figure 1).



Service Position



Bypass Position

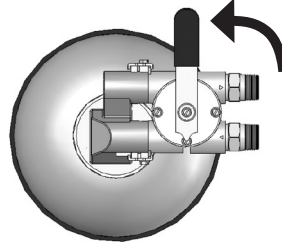
4. Place a bucket under the outlet port or run a line from the outlet port to a drain.
5. Slowly, partially open the supply valve (user supplied) to the OneFlow system. Allow the tank to fill with water. Close the supply valve when a steady stream of water comes out of the outlet port. Once the tank is full, wait 4 hours for media to "hydrate".
6. Connect the Outlet of the OneFlow system to the line feeding the appliance that requires pre-heated water.
7. Open the supply valve to the OneFlow system.
8. Operate the fill cycle on the attached equipment to clear the line(s) of air bubbles.
9. Check for leaks. Repair as needed.
10. The system is now ready for operation.

Media Replacement Procedure

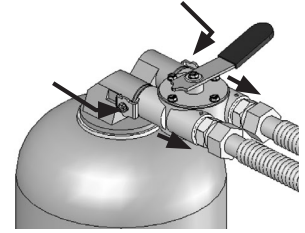
NOTICE

Your OneFlow media should be replaced every 3 years. Dispose of old media and/or container in accordance with local, regional, national, and/or international regulations.

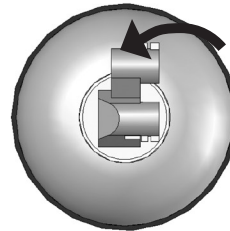
Close water supply valve to system and operate the fill cycle on the down stream equipment to relieve pressure within the plumbing system.



Place the bypass valve in the BYPASS position.



Loosen the two hex screws and remove the bypass valve from the head.



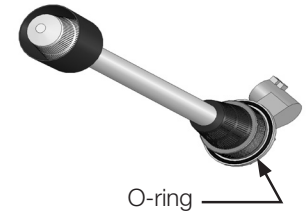
Unscrew and remove the head from the tank along with the pipe and distributor.



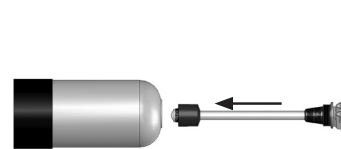
Dump the water and media into a bucket. Pour off the water and discard the media.



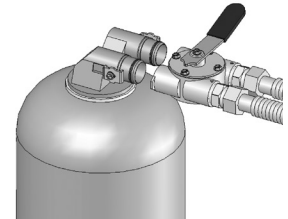
Pour the new media into the tank. Clean tank threads of any loose media.



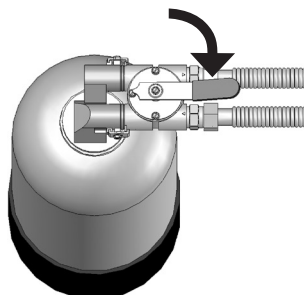
Lube the O-ring on the underside of the tank head. Use only silicone O-ring lubricant.



Place the tank on it's side. Install the tank head and distributor into the tank. Place the tank upright and hand tighten head until secure.



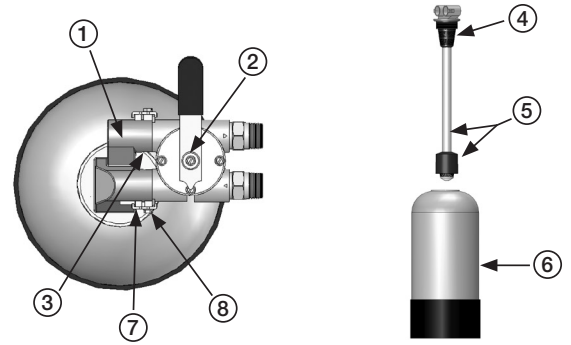
Return the tank to the installation location. Install the bypass valve onto the tank head. Install and tighten the retaining clips.



Open the supply valve to the OneFlow system. Slowly move the bypass valve handle into the SERVICE position and wait 4 hours for the media to hydrate. Operate the fill cycle on the equipment to clear the line(s) of air bubbles. Check for leaks and repair as needed. The system is now ready for operation.

Parts List

ITEM	QTY.	DESCRIPTION
1	1	TANK HEAD
2	1	BYPASS VALVE
3	2	BYPASS TO TANK HEAD COUPLING WITH ORINGS
4	1	UPPER SCREEN
5	1	DISTRIBUTOR TUBE WITH LOWER SCREEN
6a.	1	8X17 TANK (FOR MODELS OF817-8H & OF817-12H)
6b.	1	10X19 TANK (FOR MODEL OF1019 ONLY)
7	2	HEAD TO BYPASS MOUNTING CLIP
8	2	MOUNTING CLIP SCREW



Limited Warranty

- The OneFlow tank system is warranted to be free of defects in materials and workmanship for 5 years from the date of original shipment.
- The OneFlow media is warranted for performance for a period of 2 years from the date of the original installation when installed and operated in accordance with the instructions in the corresponding Installation and Operation Manual.

Watts Regulator Company warrants its OneFlow cartridge systems as follows:

- The OneFlow cartridge system is warranted to be free of defects in materials and workmanship for 1 year from the date of original shipment.
- OneFlow cartridges are warranted for performance for a period of one year from the date of original installation when installed and operated in accordance with the instructions in the corresponding Installation and Operation Manual.
- Carbon replacement filter cartridges are not warranted to perform for any period of time because the service life of replacement carbon filter cartridges varies significantly with local water conditions and volume.

Conditions

1. The OneFlow system must be installed in applications with municipally supplied water adhering to EPA guidelines.
2. Any component failure must not result from abuse, fire, freezing or other acts of nature, violence, or improper installation.
3. Equipment must be installed and operated in compliance with the local plumbing codes and on an approved water supply.
4. Equipment is limited to use at water pressures and temperatures that do not exceed our published specifications.
5. Water supply must not exceed 2.0 PPM chlorine. For water supply exceeding 2.0 PPM chlorine, pretreatment is required. (Please contact your water treatment specialist.)
6. Information, including model number, serial number, and date of installation, must be provided for any claims pertaining to equipment in warranty.
7. Defective parts are subject to inspection by either Watts Regulator Company or any authorized representative before final commitment of warranty adjustment is made.
8. Watts Regulator Company reserves the right to make changes or substitutions in parts or equipment with material of equal quality or value and of then current production.

Limitations

Our obligation under this warranty with respect to the tank or valve is limited to furnishing a replacement for, or at our option, repairing any part or parts to our satisfaction that prove defective within the warranty period stated above. Such replacement parts will be delivered to the owner F.O.B. nearest factory, at no cost, excluding freight and local labor charges, if any.

Our obligation under this warranty with respect to the OneFlow media will be limited to furnishing a replacement for the media within two years from date of original installation. Such replacement media will be delivered to the owner F.O.B. nearest factory, at no cost, excluding freight and local labor charges, if any. Damage to the media due to chlorine, other oxidizers or fouling caused by local water conditions or any other operation outside of the limits shown under Specifications, is not covered by this warranty.

THE WARRANTY SET FORTH HEREIN IS GIVEN EXPRESSLY AND IS THE ONLY WARRANTY GIVEN BY WATTS REGULATOR COMPANY WITH RESPECT TO THE PRODUCT. WATTS REGULATOR COMPANY MAKES NO OTHER WARRANTIES, EXPRESS OR IMPLIED. WATTS REGULATOR COMPANY HEREBY SPECIFICALLY DISCLAIMS ALL OTHER WARRANTIES, EXPRESS OR IMPLIED, INCLUDING BUT NOT LIMITED TO THE IMPLIED WARRANTIES OF MERCHANTABILITY AND FITNESS FOR A PARTICULAR PURPOSE.

The remedy described under this warranty shall constitute the sole and exclusive remedy for breach of warranty, and Watts Regulator Company shall not be responsible for any incidental, special or consequential damages, including without limitation, freight, handling, lost profits or the cost of repairing or replacing other property which is damaged if this product does not work properly, other costs resulting from labor charges, delays, vandalism, negligence, fouling caused by foreign material, damage from adverse water conditions, chemical, or any other circumstances over which Watts Regulator Company has no control. This warranty shall be invalidated by any abuse, misuse, misapplication or improper installation of the product.

Some states do not allow limitations on how long an implied warranty lasts, and some states do not allow the exclusion or limitation of incidental or consequential damages. Therefore the above limitations may not apply to you. This warranty gives you specific legal rights, and you may have other rights that vary from state to state. You should consult applicable state laws to determine your rights. SO FAR AS IS CONSISTENT WITH APPLICABLE STATE LAW, ANY IMPLIED WARRANTIES THAT MAY NOT BE DISCLAIMED, INCLUDING THE IMPLIED WARRANTIES OF MERCHANTABILITY AND FITNESS FOR A PARTICULAR PURPOSE, ARE LIMITED IN DURATION TO THE APPLICABLE WARRANTY PERIODS STATED ABOVE.



USA: T: (800) 224-1299 • Watts.com

Canada: T: (905) 332-4090 • Watts.ca

Latin America: T: (52) 55-4122-0138 • Watts.com

Manual de instalación, funcionamiento y mantenimiento

OneFlow[®]

Sistema anti-sarro

Modelo OF817-8H
OF817-12H
OF1019-20H

Sistemas anti-sarro para agua
caliente OneFlow[®]

Prevención de sarro sin sustancias
químicas y sin sal



⚠ ADVERTENCIA



Lea este manual ANTES de utilizar el equipo.

Si no lee y respeta toda la información sobre seguridad y uso, las consecuencias pueden ser la muerte, lesiones graves, daños materiales o daños en el equipo.

Conserve este manual para consultarlo en el futuro.

Introducción

El Sistema anti-sarro para agua caliente OneFlow[®] ofrece protección contra la formación de sarro en superficies de fontanería internas donde la tubería de alimentación de agua caliente se calienta aún más, como un calentador de refuerzo. Estos sistemas OneFlow utilizan componentes especialmente diseñados para trabajar en aplicaciones en las que el agua entrante se calienta entre 100°F - 140°F (38°C - 60°C) pero aún no ha sido tratada para el control de sarro. Estos tipos de aplicaciones típicamente implican la protección y la extensión de la vida útil de los equipos e instrumentos de los efectos dañinos del sarro del agua dura.

OneFlow[®] previene la formación de sarro al transformar minerales duros disueltos en partículas microscópicas de cristal inofensivas e inactivas. Estos cristales permanecen suspendidos en el agua, tienen una capacidad muy reducida para reaccionar negativamente como la dureza disuelta, y eventualmente encuentran su camino hacia el desagüe. OneFlow es especialmente útil en aplicaciones con temperaturas más altas en las que se acelera la formación de sarro. El sistema requiere muy poco mantenimiento y no requiere lavado contracorriente, sales ni electricidad. Los problemas típicos de dureza, especialmente la acumulación de sarro en calderas y vaporeros, se reducen en gran medida.

OneFlow[®] no es un ablandador de agua ni un agregado químico (como los inhibidores de sarro o los secuestrantes). Es un dispositivo que evita la formación de sarro con datos confirmados por pruebas de laboratorio de terceros y años de instalaciones exitosas tanto en residencias como comercios. OneFlow[®] es el único dispositivo de tratamiento de aguas que proporciona, de forma eficaz, protección contra el sarro y es una muy buena alternativa sin sal a los suavizadores de agua (intercambio de iones) o a las sustancias químicas que aíslan el sarro. También deberán ajustarse las sustancias químicas de lavandería y del fregadero.

⚠ ADVERTENCIA

Debe consultar los códigos locales de construcción y plomería antes de realizar la instalación. Si la información de este manual no es congruente con las normas locales de construcción o plomería, se deben seguir las normas locales. Averigüe los requisitos locales adicionales con las autoridades gobernantes.

Beneficios de OneFlow[®]

- Protección y prevención de sarro sin sustancias químicas: convierte los minerales duros en cristales microscópicos inofensivos e inactivos, lo que hace que OneFlow[®] sea una tecnología alternativa eficaz a los ablandadores de aguas para prevenir la formación de sarro causado por las aguas duras.
- Prácticamente no requiere mantenimiento; sin válvula de control.
- Sistema y componentes diseñados para funcionar específicamente con aplicaciones de agua caliente.
- Utiliza tecnología amigable con el ambiente ya que no agrega sal ni otras sustancias químicas constantemente, no usa electricidad ni aguas residuales.
- Mejora la eficiencia del agua en electrodomésticos y equipos.
- Tamaño e instalación simples: lo único que necesita saber es el tamaño de las tuberías y el caudal de flujo.
- La válvula de derivación incorporada proporciona flexibilidad para el mantenimiento o el reemplazo del medio desconectado.
- OneFlow[®] no elimina minerales del suministro de agua ni agrega sodio a este.
- Los medios de larga duración requieren reemplazo una vez cada tres años.
- Tecnología de adaptación efectiva donde el control del sarro no se consideró previamente.



Los filtros de OneFlow están certificados por WQA según el estándar NSF/ANSI/CAN 61 y NSF/ANSI 372 en cuanto a cumplimiento sin plomo.

⚠ ADVERTENCIA

No debe usarse con agua que presente un riesgo microbiológico o cuya calidad sea desconocida sin una desinfección, previa o posterior, adecuada del sistema.

WATTS[®]

Especificaciones

Se debe instalar un sistema de prevención de sarro para agua caliente OneFlow® en la línea de suministro de agua caliente justo antes del equipo que se pretende proteger. La temperatura del agua de alimentación debe oscilar entre 100°F y 140°F (38°C y 60°C), ya que todos los componentes están diseñados para funcionar en estas condiciones de temperatura elevada. El sistema OneFlow® reducirá de manera eficaz los problemas de sarro por dureza del agua y de esta manera protegerá la transferencia de calor y otras superficies de que se vean afectadas por los efectos negativos del sarro. El sistema cuenta con una válvula de derivación provista de fábrica para permitir el aislamiento de los tanques y la derivación de agua caliente sin tratar en caso de que sea necesario reemplazar medios o darles servicio. El área de instalación debe tener el tamaño adecuado para colocar los tanques en forma vertical sobre una superficie plana y nivelada que permita que el tanque esté vertical para darle servicio sin obstáculos.

El sistema debe trabajar corriente arriba y no debe requerir agua adicional para retrolavado, enjuague o regenerarse una vez puesto en funcionamiento. El sistema no requiere ninguna sustancia química adicional ni electricidad para funcionar.

AVISO

No debe utilizarse en sistemas de lazo cerrado.

Estándares

Pruebas científicas independientes confirmaron que la tecnología de MAC (Cristalización asistida por medios) proporciona una reducción del sarro mayor al 95 %. Las pruebas se realizaron en virtud de un protocolo basado en la prueba DVGW W512 para acceder al control de la formación de sarro.

PRECAUCIÓN

- No debe utilizarse en sistemas de lazo cerrado.
- Debe utilizarse con agua caliente. Este sistema no está diseñado para agua fría (<100°F [38 °C]). Para la operación con agua fría, comuníquese con su representante de Watts para obtener un sistema diseñado para la operación con agua fría.
- No permita que el sistema se congele. Puede dañarse el tanque.
- El sistema debe operar en posición vertical. No lo recueste durante su funcionamiento. El sistema puede colocarse en cualquier posición durante el envío y la instalación, pero debe operar en posición vertical.
- Coloque el sistema en una superficie suave y plana. Como el sistema opera en un modo de lecho fluido con caudal ascendente, tener una superficie plana es más importante que con un ablandador o un filtro de medio.
- Debe instalarse una válvula de derivación en todos los sistemas para facilitar la instalación y el servicio.
- Cuando instale el sistema, cumpla con todos los códigos locales de construcción y plomería.

ADVERTENCIA

Cómo utilizar OneFlow con otros equipos de tratamiento de agua

Debido a las propiedades únicas de OneFlow®, hay algunos requisitos únicos para utilizar OneFlow® junto con filtración u otras formas de tratamiento de aguas.

1. OneFlow® debe ser la última etapa de la cadena de tratamiento. No instale ningún filtro después de OneFlow® o antes de cualquier dispositivo para el que se requiera la prevención antisarro. Los filtros POU (punto de uso), p. ej., de carbono o por RO (ósmosis inversa) o rayos UV (ultravioleta) están exentos de este requisito.
2. No aplique fosfato ni ningún otro inhibidor de sarro antes o después de OneFlow®.
3. La adición de jabones, productos químicos o limpiadores, antes o después del tratamiento con OneFlow, puede revertir los efectos del tratamiento antisarro y/o generar agua con un residuo pesado o un posible manchado. Toda condición adversa ocasionada por la adición de jabones, productos químicos o limpiadores son responsabilidad exclusiva del usuario final.
4. OneFlow no es un suavizador de agua y no suaviza el agua. Lo más probable es que la química del tratamiento de agua (es decir, antisarros, agentes quelantes, jabones, sustancias químicas o limpiadores) tendrá que cambiarse para ser compatible con el agua tratada por OneFlow. También deberán ajustarse las sustancias químicas de lavandería y del fregadero.

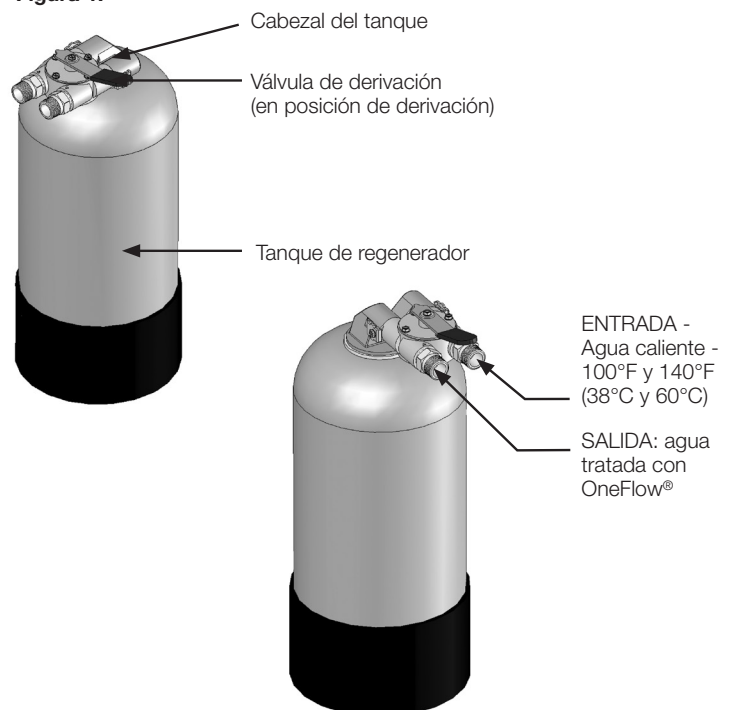
AVISO

En las superficies de cañerías externas, se pueden producir manchas.

Los sistemas de medio OneFlow tienen un mejor rendimiento en aplicaciones de agua potable de paso simple SIN sustancias químicas adicionales. Según la dureza, se pueden producir manchas de sarro suave. En la mayoría de los casos, las manchas de sarro suave se pueden limpiar con un paño húmedo para que no se formen incrustaciones de sarro duro. Un suavizador de agua en el punto de uso (POU) se debe usar en aplicaciones que exigen que sea libre de manchas (p. ej., copas de vidrio, vajilla).

Descripción general del sistema de agua caliente

Figura 1.



Especificaciones del equipo

Los sistemas OneFlow® son completos y autosuficientes, están cargados con medios y están listos para usar. Solo se requiere una simple conexión de entrada y salida para la instalación. Revise las presiones de funcionamiento, las temperaturas y las limitaciones de química del agua para garantizar la compatibilidad.

Requisitos químicos del agua de alimentación

pH	6,5 a 8,5
Dureza (máxima)	30 granos (513 ppm CaCO ₃)*
Presión del agua	15 psi a 100 psi (1.03 bar a 6.9 bar)
Temperatura	100 °F a 140 °F (38 °C a 60 °C)
Cloro libre	< 2 ppm
Hierro (máximo)	0,3 ppm**
Manganeso (máximo)	0,05 ppm**
Cobre (máximo)	1,3 ppm***
Aceite y H ₂ S	Deberán eliminarse antes de OneFlow
Fosfatos totales	< 3,0 ppm
Sílice (máximo)	20 ppm†
TDS (sólidos disueltos totales)	1500 mg/l††

AVISO

* Los sistemas que utilizan la tecnología OneFlow son efectivos para controlar la formación de sarro-cal dentro del sistema de plomería a niveles de dureza de entrada de hasta 75 granos por galón (1,282 ppm) de carbonato de calcio. Debido a las variaciones en la química del agua, 30 granos por galón es el máximo de dureza recomendado debido a posibles problemas estéticos relacionados con la formación de residuos de sarro suaves por fuera del sistema de plomería. Se deben realizar pruebas para determinar la aplicación adecuada en la que los niveles de dureza exceden los 30 granos por galón.

**Al igual que con los medios suavizadores de agua convencionales, los medios de OneFlow® necesitan estar protegidos de los niveles excesivos de ciertos metales que pueden cubrir fácilmente la superficie activa y reducir su eficacia con el tiempo. El suministro público de agua potable raras veces, si acaso, presenta problemas, pero si el suministro de agua proviene de un pozo privado, confirme que los niveles de hierro (Fe) y manganeso (Mn) sean menores de 0,3 mg/l y 0,05 mg/l, respectivamente.

ADVERTENCIA

***De conformidad con las normas de agua potable de la EPA (Agencia de Protección Ambiental), la concentración máxima permitida de cobre es de 1.3 ppm. Típicamente procedentes de tuberías nuevas de cobre, los altos niveles de cobre pueden contaminar los medios de OneFlow. Las líneas de cobre nuevas deben ser pasivadas durante un mínimo de 4 semanas antes de poner la unidad en servicio. Para aplicaciones con una concentración de cobre mayor de 1.3 ppm, por favor, comuníquese con el Servicio Técnico de Calidad de Watts Water. Para minimizar aún más cualquier problema relacionado con el exceso de cobre, evite aplicar fundente en exceso en las superficies internas de la tubería y utilice un fundente de baja corrosividad soluble en agua, según se indica en la norma ASTM B813.

AVISO

†Los medios de OneFlow no disminuyen la formación de sarro de sílice. Si bien el sílice tiende a tener un efecto menos significativo en la formación de plomería que otros minerales, puede actuar como aglutinante y hacer que las manchas de agua y los residuos de plomería en el exterior del sistema de plomería sean difíciles de quitar. Este límite de 20 ppm es para fines estéticos.

††Todos los demás contaminantes deberán cumplir con los requisitos de la Ley de Agua Potable Segura de la USEPA (Agencia de Protección Ambiental de EE. UU.). Los MCL (niveles máximos de contaminantes) de minerales y de metales específicos, identificados en los requisitos químicos de agua de alimentación publicados de Watts reemplazan la SDWA (Ley del Agua Potable Segura) de la USEPA.

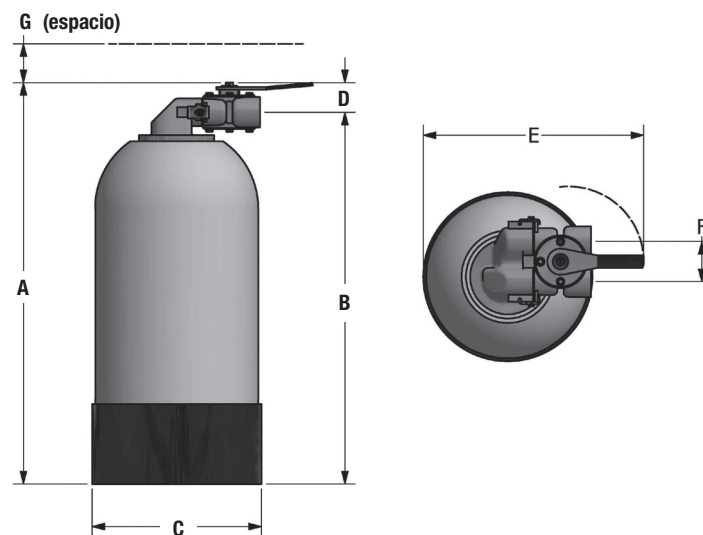
Cuando se sepa que el agua tiene fuertes cantidades de suciedad y residuos, es posible que se requiera filtrarla antes de tratarla con OneFlow®.

Especificaciones mecánicas

Modelo	OF817-8H	OF817-12H	OF1019-20H
Conexiones de entrada/salida	1" FNPT	1" FNPT	1" FNPT
Velocidad de caudal máxima	8 gpm (30 l/m)	12 gpm (45 l/m)	20 gpm (75 l/m)
Peso de servicio (libras/kg)	37 lbs./ 16,8 kgs.	38 lbs./ 17,3 kgs.	60 lbs./ 27,3 kgs.

Medio de reemplazo

Modelo	Frecuencia de reemplazo
OF817-8HRM	El medio debe reemplazarse cada 3 años
OF817-12HRM	El medio debe reemplazarse cada 3 años
OF1019-20HRM	El medio debe reemplazarse cada 3 años



Dimensiones

Modelo	Dimensiones							
	A		B		C		D	
	pulg.	mm	pulg.	mm	pulg.	mm	pulg.	mm
OF817-8H	20	508	18 ⁵ / ₈	472	8 ¹ / ₂	216	1 ³ / ₈	36
OF817-12H	20	508	18 ⁵ / ₈	472	8 ¹ / ₂	216	1 ³ / ₈	36
OF1019-20H	22	559	20 ⁵ / ₈	523	10 ¹ / ₂	267	1 ³ / ₈	36

Peso							
E		F		G			
pulg.	mm	pulg.	mm	pulg.	mm	lb	kg
11	279	2	51	6	152	15	6,8
11	279	2	51	6	152	16	7,3
13	330	2	51	6	152	26	11,8

AVISO

Cada vez que se instalan sistemas OneFlow® en un nivel superior a la planta baja de un edificio, se recomienda instalar además una **válvula de alivio del vacío** a modo de protección contra el colapso del tanque en caso de que se drene el sistema de tuberías. Si no se utiliza la válvula de alivio del vacío, entonces debe activarse la derivación del sistema cada vez que se drene el sistema de tuberías. El código EDP para la válvula de alivio del vacío sugerida es 0556031 (no se incluye). La válvula de alivio del vacío debe instalarse en la salida del sistema.

AVISO

El tanque está solo parcialmente lleno de medios. El tanque es mucho más liviano que un suavizador de agua y puede parecer que está casi vacío. Esto es normal y necesario para el funcionamiento del lecho fluido con caudal ascendente del sistema.

Instalación

Ajuste el cabezal del tanque

AVISO

Controle el cabezal en la parte superior del tanque. Es normal que se afloje durante el envío. Ajuste el cabezal con la mano hasta que quede apretado.

AVISO

El sistema debe operar en posición vertical. No lo recueste durante su funcionamiento.

1. Coloque el sistema en la ubicación deseada. Asegúrese de que haya suficiente espacio para que se pueda operar la válvula de derivación cuando sea necesario.

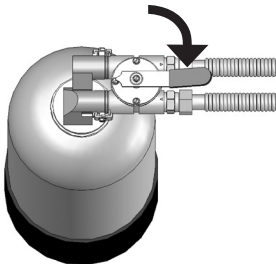
AVISO

El sistema OneFlow® funciona en el modo de caudal ascendente, a diferencia de un suavizador convencional. (Las flechas que apuntan hacia adentro de la válvula de derivación están destinadas a un suavizador convencional y, por lo tanto, son OPUESTAS al flujo operativo correcto de OneFlow®).

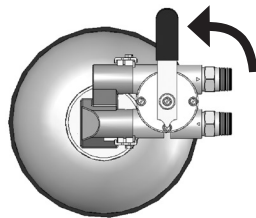
2. Conecte el suministro de agua caliente a la entrada del sistema OneFlow®. Recomendamos el uso de conectores flexibles de acero inoxidable (no suministrados con el sistema, pero disponibles en Watts). Incluya una válvula de suministro (provista por el usuario) en esta tubería de suministro. El peso total de las tuberías y válvulas debe apoyarse en soportes para tubería o por otros medios. Observe las prácticas de plomería estándar y los códigos locales de plomería.



3. Coloque la válvula de derivación en la posición de FUNCIONAMIENTO (como se muestra en la figura 1).



Posición de funcionamiento



Posición de derivación

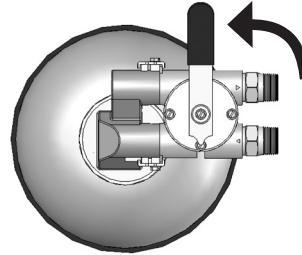
4. Coloque un balde debajo del puerto de salida o instale una tubería desde el puerto de salida hasta un drenaje.
5. Abra parcialmente la válvula de suministro despacio (provista por el usuario) al sistema OneFlow. Deje que el tanque se llene de agua. Cierre la válvula de suministro cuando salga un chorro de agua constante del puerto de salida. Una vez que el tanque esté lleno, espere 4 horas para que el medio se "hidrate".
6. Conecte la salida del sistema OneFlow® a la línea que alimenta al dispositivo que requiere agua precalentada.
7. Abra la válvula de suministro al sistema OneFlow®.
8. Opere el ciclo de llenado en el equipo adjunto para eliminar las burbujas de aire de las líneas.
9. Verifique que no haya fugas. Repare según sea necesario.
10. El sistema ya está listo para su funcionamiento normal.

Procedimiento de reemplazo del medio

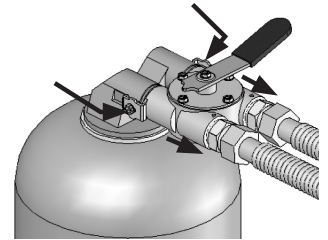
AVISO

Su medio OneFlow debe sustituirse cada 3 años. Deseche el medio y/o el contenedor antiguos de acuerdo con las normas locales, regionales, nacionales y/o internacionales.

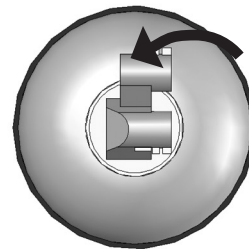
Cierre la válvula de suministro de agua al sistema y haga funcionar el ciclo de llenado en el equipo de corriente descendente para aliviar la presión dentro del sistema de tuberías.



Coloque la válvula de derivación en la posición de DERIVACIÓN.



Afloje los dos tornillos hexagonales y retire la válvula de derivación del cabezal.



Destornille y quite el cabezal del tanque junto con el tubo y el distribuidor.



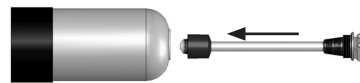
Vierta el agua y el medio en un balde. Vierta el agua y deseche el medio.



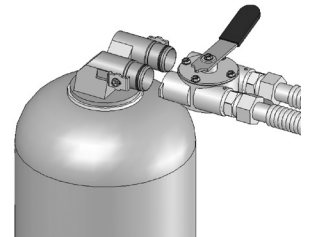
Vierta el medio nuevo en el tanque. Limpie las roscas del tanque de cualquier medio suelto.



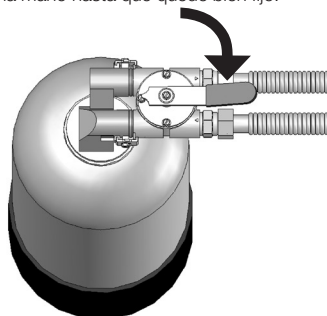
Lubrique la junta tórica en la parte inferior del cabezal del tanque. Use solo lubricante de silicona en las juntas tóricas.



Coloque el tanque de lado. Instale el cabezal del tanque y el distribuidor dentro del tanque. Coloque el tanque en posición vertical y apriete el cabezal con la mano hasta que quede bien fijo.



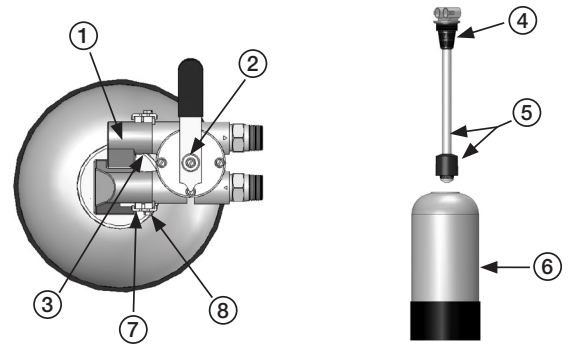
Vuelva a colocar el tanque en el lugar de instalación. Instale la válvula de derivación en el cabezal del tanque. Instale y ajuste las grapas de retención.



Abra la válvula de suministro al sistema OneFlow. Mueva lentamente el mango de la válvula de derivación a la posición de SERVICIO y espere 4 horas para que el medio se hidrate. Accione el ciclo de llenado del equipo para eliminar las burbujas de aire de las tuberías. Verifique si hay fugas y repárelas según sea necesario. El sistema ya está listo para su funcionamiento normal.

Lista de partes

Artículo	Cant.	Descripción
1	1	CABEZAL DEL TANQUE
2	1	VÁLVULA DE DERIVACIÓN
3	2	DERIVACIÓN AL ACOPLAMIENTO DEL CABEZAL DEL TANQUE CON JUNTAS TÓRICAS
4	1	PANTALLA SUPERIOR
5	1	TUBO DISTRIBUIDOR CON PANTALLA INFERIOR
6a.	1	DEPÓSITO DE 8X17 (PARA MODELOS OF817-8H Y OF817-12H)
6b.	1	TANQUE DE 10X19 (SOLO PARA EL OF1019)
7	2	CABEZAL A CLIP DE MONTAJE DE DERIVACIÓN
8	2	TORNILLO DE CLIP DE MONTAJE



Garantía limitada

- El sistema de tanque OneFlow® está garantizado como libre de defectos en materiales y manufactura durante 5 años desde la fecha del envío original.
- El medio OneFlow® está garantizado en cuanto a su rendimiento durante un período de 2 años desde la fecha de la instalación original en tanto se haya instalado y utilizado de acuerdo con las instrucciones del Manual de instalación y uso correspondiente.

Watts Regulator Company garantiza sus sistemas de cartuchos OneFlow® como se describe a continuación:

- El sistema de cartuchos OneFlow® está garantizado como libre de defectos en materiales y manufactura durante 1 año desde la fecha del envío original.
- Los cartuchos OneFlow® están garantizados en cuanto a su rendimiento durante un período de 1 año desde la fecha de la instalación original en tanto se hayan instalado y utilizado de acuerdo con las instrucciones del Manual de instalación y uso correspondiente.
- No se garantiza el funcionamiento de los cartuchos de repuesto para filtros de carbono por ningún período dado que la vida útil de los cartuchos de repuesto para filtros de carbono varía significativamente de acuerdo con las condiciones y el volumen del agua local.

Condiciones

- El sistema OneFlow® debe instalarse en aplicaciones con agua del suministro municipal que cumpla con las pautas de la EPA.
- Los fallos en los componentes no deben producirse como consecuencia de uso indebido, incendio, congelamiento u otros factores como fuerzas de la naturaleza, actos de violencia o instalación incorrecta.
- El equipo debe instalarse y utilizarse de conformidad con los códigos locales relativos a las tuberías y con un suministro de agua aprobado.
- El uso del equipo está limitado a las temperaturas y presiones de agua que no excedan nuestras especificaciones publicadas.
- El suministro de agua no debe exceder las 2,0 ppm de cloro. En suministros de agua que excedan los 2,0 ppm de cloro, se requiere tratamiento previo. (Comuníquese con un especialista en tratamiento de agua).
- Para realizar cualquier reclamo en relación con los equipos en garantía, se debe proporcionar información, incluidos el número de modelo, el número de serie y la fecha de instalación.
- Las piezas defectuosas están sujetas a inspección por parte de Watts Regulator Company o cualquier representante autorizado antes de que se asuma el compromiso final de ajuste de garantía.
- Watts Regulator Company se reserva el derecho de realizar cambios o sustituciones en las piezas o el equipo por materiales de valor o calidad equivalente y de producción vigente en ese momento.

Limitaciones

Nuestra obligación en virtud de la presente garantía con respecto al tanque o la válvula está limitada al reemplazo o la reparación, a nuestra elección, de cualquier pieza o piezas a nuestra satisfacción con defectos comprobados dentro del período de garantía estipulado anteriormente. Dichas piezas de repuesto serán entregadas al propietario bajo condición FOB (Libre a bordo) en la fábrica más cercana, sin costo alguno, sin incluir gastos de flete y mano de obra local, si existieran.

Nuestra obligación en virtud de la presente garantía con respecto al medio de OneFlow® estará limitada a suministrar repuestos del medio durante dos años desde la fecha de la instalación original. Dichos medios de repuesto serán entregados al propietario bajo condición FOB en la fábrica más cercana, sin costo alguno, sin incluir gastos de flete y mano de obra local, si existieran. Esta garantía no cubre los medios dañados a causa del cloro, otros oxidantes o la contaminación por las condiciones del agua local o cualquier otra operación fuera de los límites indicados en la sección Especificaciones.

LA GARANTÍA AQUÍ ESTABLECIDA SE CONFIERE EXPRESAMENTE Y ES LA ÚNICA GARANTÍA OTORGADA POR WATTS REGULATOR COMPANY CON RESPECTO AL PRODUCTO. WATTS REGULATOR COMPANY NO EXTIENDE NINGUNA OTRA GARANTÍA, EXPLÍCITA O IMPLÍCITA. WATTS REGULATOR COMPANY SE EXIME ESPECÍFICAMENTE A TRAVÉS DE ESTE DOCUMENTO DE CUALQUIER OTRA GARANTÍA, EXPLÍCITA O IMPLÍCITA, INCLUIDAS, ENTRE OTRAS, LAS GARANTÍAS IMPLÍCITAS DE APTITUD PARA LA COMERCIALIZACIÓN E IDONEIDAD PARA UN PROPÓSITO EN PARTICULAR.

El recurso descrito anteriormente en esta garantía constituirá el único recurso frente al incumplimiento de la garantía y Watts Regulator Company no será responsable por daños fortuitos, especiales o derivados, incluyendo sin limitación, los gastos de flete y manipulación, la pérdida de ganancias o el costo de reparar o reemplazar otros bienes que se hayan dañado si este producto no funciona correctamente, otros costos resultantes de mano de obra, retrasos, vandalismo, negligencia, contaminación ocasionada por materia extraña, daños por condiciones adversas del agua, productos químicos o cualquier otra circunstancia sobre la cual Watts Regulator Company no tenga control. Esta garantía no tendrá validez en cualquier caso de abuso, uso indebido, aplicación incorrecta o instalación inadecuada del producto.

Algunos estados no permiten limitaciones en la duración de una garantía implícita y otros no permiten la exclusión o limitación de daños fortuitos o derivados. Por lo tanto, es posible que las limitaciones anteriores no correspondan en su caso. Esta garantía le otorga derechos legales específicos y posiblemente usted tenga otros derechos, que varían de un estado a otro. Deberá consultar las leyes estatales correspondientes para poder determinar sus derechos. EN LA MEDIDA EN QUE SEA CONGRUENTE CON LAS LEYES ESTATALES APLICABLES, CUALQUIER GARANTÍA IMPLÍCITA QUE NO SEA RECHAZADA, INCLUIDAS LAS GARANTÍAS IMPLÍCITAS DE APTITUD PARA LA COMERCIALIZACIÓN E IDONEIDAD PARA UN PROPÓSITO EN PARTICULAR, SE LIMITA EN SU DURACIÓN A LOS PERÍODOS DE GARANTÍA APLICABLES ESTIPULADOS ANTERIORMENTE.



EE. UU.: T: (800) 224-1299 • Watts.com

Canadá: T: (905) 332-4090 • Watts.ca

América Latina: T: (52) 55-4122-0138 • Watts.com

Manuel d'installation, d'utilisation et d'entretien

OneFlow[®] Système anti-tartre

Modèle OF817-8H
OF817-12H
OF1019-20H

Systèmes anticalcaire OneFlow[®]
pour eau chaude

Prévention du tartre sans produits
chimiques, sans sel



⚠ AVERTISSEMENT



Lisez ce manuel AVANT d'utiliser cet équipement.

Le non-respect de toutes les instructions de sécurité et d'utilisation de ce produit peut endommager ce produit ou entraîner d'autres dommages matériels, des blessures graves ou la mort.

Conservez ce manuel pour référence ultérieure.

Introduction

Le système anticalcaire OneFlow[®] pour eau chaude offre une protection contre la formation de tartre sur les surfaces de plomberie internes où la conduite d'alimentation en eau chaude est chauffée davantage, comme un chauffage d'appoint. Ces systèmes OneFlow utilisent des composants spécialement conçus pour fonctionner dans des applications où l'eau d'arrivée est chauffée entre 100 °F et 140 °F (38 °C et 60 °C), mais n'a pas encore été traitée pour le contrôle du tartre. Ces types d'applications impliquent typiquement la protection et la prolongation de la vie des appareils et instruments contre les effets nuisibles du tartre.

OneFlow[®] prévient la formation de tartre en transformant les minéraux responsables de la dureté, dissous en microparticules cristallines inoffensives inactives. Ces cristaux restent suspendus dans l'eau, ont une capacité considérablement réduite de réagir négativement comme le fait la dureté dissoute et finissent par se rendre au drain. OneFlow est particulièrement utile dans les applications à haute température où la formation de tartre est accélérée. Le système nécessite très peu d'entretien, pas de rétro-lavage, pas de sel et pas d'électricité. Les problèmes de dureté typiques, en particulier l'accumulation de tartre dans les chaudières et les vaporisateurs, sont considérablement réduits.

OneFlow[®] n'est pas un adoucisseur d'eau ou un additif chimique (comme les agents anti-tartre ou séquestrants). Il s'agit d'un dispositif de prévention du tartre avec des données de test de laboratoire tiers éprouvées et des années d'installation résidentielle et commerciale réussie. OneFlow[®] est le dispositif de traitement de l'eau qui fournit efficacement une protection contre le tartre tout en étant une excellente solution de recharge sans sel à l'adoucissement d'eau (échange d'ions) ou aux produits chimiques séquestrants. Les composants chimiques des produits de nettoyage pour la lessive et pour le lavage de vaisselle nécessiteront également des ajustements.

⚠ AVERTISSEMENT

Vous êtes tenu de consulter les codes du bâtiment et de plomberie locaux avant l'installation. En cas d'incompatibilité de l'information figurant dans ce manuel avec les codes du bâtiment ou de plomberie locaux, les codes locaux doivent être suivis. Se renseigner auprès des autorités de réglementation pour les exigences locales supplémentaires.

Avantages de OneFlow[®]

- Prévention et protection du tartre sans produits chimiques – convertit les minéraux responsables de la dureté en cristaux microscopiques inactifs sans danger rendant la technologie OneFlow[®] un choix de recharge efficace par rapport à un adoucisseur d'eau pour la prévention du tartre en raison de la dureté de l'eau
- Ne nécessite aucun entretien – aucune vanne de régulation
- Système et composants conçus pour fonctionner spécifiquement avec les applications d'eau chaude
- Utilise une technologie écologique en n'employant pas de sel ou d'autres produits chimiques pour éviter de constamment en ajouter, sans électricité ou eau usée
- Améliore l'efficacité des appareils et de l'équipement qui utilisent de l'eau
- Dimensionnement et installation simples – tout ce que vous devez savoir est la taille du tuyau et le débit
- La vanne intégrée de dérivation procure la flexibilité pour l'entretien hors ligne ou le remplacement du médium
- OneFlow[®] ne supprime pas les minéraux ou n'ajoute pas de sodium pour l'alimentation en eau
- Le médium à longue durée de vie ne doit être remplacé qu'une fois aux trois ans
- Technologie efficace de rénovation où on n'a pas tenu compte auparavant du contrôle du tartre



Les médias OneFlow sont certifiés par la WQA selon la norme NSF/ANSI/CAN 61 et la norme NSF/ANSI 372 pour l'absence de plomb.

⚠ AVERTISSEMENT

Prenez soin de ne pas utiliser le système avec de l'eau impropre sur le plan microbiologique ou dont la qualité est inconnue sans procéder à une désinfection adéquate en amont ou en aval du système.

WATTS[®]

Caractéristiques techniques

Un système de prévention du tartre OneFlow® pour eau chaude sera installé sur le conduit d'alimentation d'eau chaude juste avant l'appareil qu'il devra protéger. La température de la conduite d'alimentation devrait se trouver constamment entre 100 °F et 140 °F (38 °C et 60 °C) puisque tous les composants sont conçus pour fonctionner à cette température élevée. Le système OneFlow® réduira de façon efficace les préoccupations de tartre de dureté d'eau, protégeant donc le transfert de chaleur et d'autres surfaces des effets néfastes du tartre. Le système sera accompagné d'une vanne de dérivation pour permettre l'isolation du ou des réservoirs et pour permettre la dérivation de l'eau non traitée si le service ou le remplacement de média est nécessaire. La zone d'installation doit avoir une taille appropriée pour le ou les réservoirs qui seront entretenus, sans encombre, pour que le réservoir puisse être placé à la verticale sur une surface plane et horizontale.

Le système doit fonctionner par le haut et ne nécessite pas d'eau supplémentaire pour le rétrolavage et le rinçage ou de se régénérer une fois mis en service. Le système ne nécessite aucun additif chimique et ne nécessite pas d'électricité pour fonctionner.

AVIS

Ne l'utilisez pas dans des systèmes fermés.

Normes

Des essais scientifiques indépendants ont confirmé que la technologie du MAC (Médium assisté de cristallisation) prévoit une réduction du tartre de plus de 95 %. Les essais ont été effectués sous protocole basé sur l'essai DVGW W512 pour contrôler l'accès de la formation de tartre.

⚠ MISE EN GARDE

- Ne l'utilisez pas dans des systèmes fermés.
- Doit être utilisé avec de l'eau chaude. Ce système n'est pas conçu pour l'eau froide (< 100 °F [38 °C]). Pour un fonctionnement avec eau froide, communiquez avec votre représentant Watts pour un système conçu pour l'eau froide.
- Empêchez le gel du système. Des dommages au réservoir peuvent en découler.
- Le système doit être utilisé en position verticale. Ne le déposez pas pendant le fonctionnement. Le système peut être placé dans n'importe quelle position pour le transport et l'installation, mais il doit être utilisé en position verticale.
- Placez le système sur une surface lisse et plane. Étant donné que le système fonctionne dans un courant ascendant, le mode de lit fluidisé, présentant une surface plane, est plus important qu'avec un adoucisseur ou un filtre de médium.
- Une vanne de dérivation doit être installée sur chaque système pour faciliter l'installation et le service.
- Respectez tous les codes du bâtiment ou de plomberie lors de l'installation du système.

⚠ AVERTISSEMENT

Utilisation de OneFlow avec un autre équipement de traitement de l'eau

En raison des propriétés uniques de OneFlow®, il existe des exigences particulières pour l'utilisation de OneFlow® en combinaison avec une filtration ou d'autres formes de traitement de l'eau.

1. OneFlow® doit être la dernière étape de la chaîne de traitement.
N'installez pas de filtre après le système OneFlow® ou avant un dispositif pour lequel la prévention du tartre est nécessaire. Les filtres « POU » (point d'utilisation), par exemple au charbon, à RO (osmose inversée) ou UV (ultraviolet) sont exemptés de cette exigence.
2. N'appliquez pas de phosphate ou toute autre anti-tartre avant ou après le système OneFlow®.
3. L'ajout de savons, de produits chimiques ou de nettoyage avant ou après le traitement OneFlow, peut annuler les effets du traitement anti-tartre et/ou produire de l'eau avec des résidus lourds ou des salissures potentielles. Toutes réactions négatives causées par l'ajout de savons, ou de produits chimiques ou de nettoyants, relèvent uniquement de la responsabilité de l'utilisateur final.
4. OneFlow n'est pas un adoucisseur d'eau et il n'adoucit pas l'eau – Les produits chimiques du traitement de l'eau (p. ex. antitartres, séquestrants, savons, produits chimiques, produits nettoyants, etc.) devront probablement être modifiés pour être compatibles avec l'eau traitée par OneFlow. Les composants chimiques des produits de nettoyage pour la lessive et pour le lavage de vaisselle nécessiteront également des ajustements.

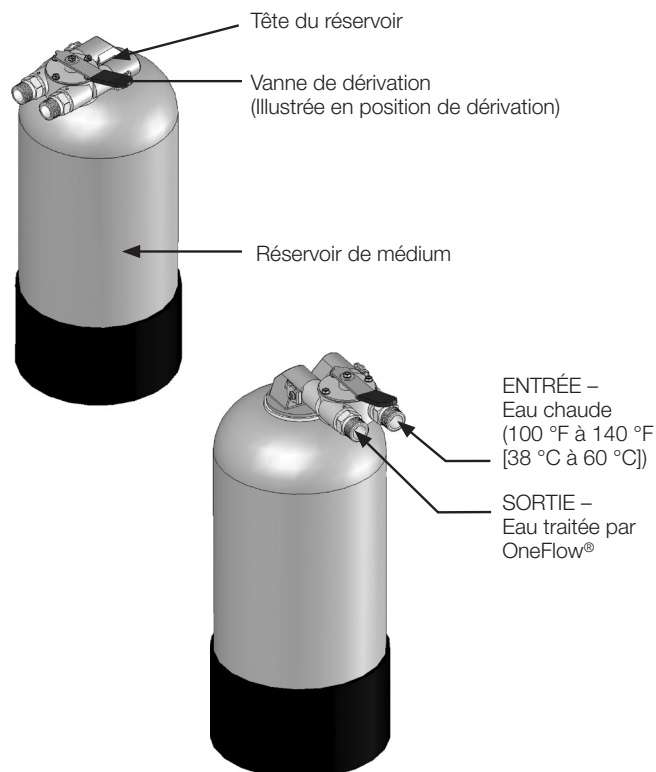
AVIS

Des traces pourraient apparaître sur les surfaces de plomberie externe

Les systèmes du médium OneFlow fonctionnent mieux avec une utilisation de l'eau potable en un seul passage SANS additifs chimiques supplémentaires. Selon la dureté, de légères traces de tartre pourraient apparaître. Ces légères traces de tartre peuvent généralement être aisément nettoyées avec un chiffon humide et ne formeront pas de dépôt de tartre dur. Un adoucisseur d'eau pour POU (point d'utilisation) doit être utilisé pour des applications qui requièrent obligatoirement une absence de traces (p. ex., verres à pied, vaisselle).

Aperçu du système d'eau chaude

Figure 1.



Spécifications sur l'équipement

Les systèmes OneFlow® sont complets, autonomes, chargés du médium et prêts à utiliser. Seul un simple raccord d'entrée et de sortie est nécessaire pour l'installation. Examiner les limites de pressions de fonctionnement, de températures et de chimie de l'eau afin d'assurer la compatibilité.

Exigences relatives à l'état chimique de l'eau d'alimentation

pH	6,5 à 8,5
Dureté (maximum)	30 grains (513 ppm CaCO ₃)*
Pression de l'eau	15 psi à 100 psi (1,03 bar à 6,9 bars)
Température	100 °F à 140 °F (38 °C à 60 °C)
Sans chlore	< 2 ppm
Fer (maximum)	0,3 ppm**
Manganèse (maximum)	0,05 ppm**
Cuivre (maximum)	1,3 ppm***
Huile et H ₂ S	Doivent être retirés avant OneFlow
Phosphates totaux	< 3,0 ppm
Silice (maximum)	20 ppm†
MDT	1 500 mg/l††

AVIS

* Les systèmes utilisant la technologie OneFlow sont efficaces pour contrôler la formation de tartre à l'intérieur du système de plomberie à des taux initiaux de dureté pouvant atteindre 75 grains par gallon (1 282 ppm) de carbonate de calcium. Compte tenu des variations de la composition chimique de l'eau, 30 grains par gallon correspond au niveau maximal de dureté recommandé, en raison de problèmes esthétiques potentiels liés à la formation de résidus à faible échelle à l'extérieur du système de plomberie. Des essais doivent être effectués afin de déterminer l'application appropriée lorsque les niveaux de dureté dépassent 30 grains par gallon.

**Tout comme avec les agents d'adoucissement de l'eau conventionnels, OneFlow® doit être protégé contre les niveaux excessifs de certains métaux qui peuvent facilement recouvrir la surface active, réduisant son efficacité au fil du temps. L'eau fournie par les services publics pose rarement, voire jamais, de problème, mais si l'approvisionnement en eau provient d'un puits privé, confirmez que les niveaux de fer (Fe) et de manganèse (Mn) sont inférieurs à 0,3 mg/l et 0,05 mg/l, respectivement.

AVERTISSEMENT

***Conformément aux normes de l'EPA, relatives à l'eau potable, la concentration de cuivre autorisée ne doit pas dépasser 1,3 ppm. Des niveaux élevés de cuivre, provenant généralement de la plomberie en cuivre, peuvent encrasser le système OneFlow. Les conduites de cuivre récentes doivent être passivées pendant au moins 4 semaines avant de faire fonctionner l'appareil. Pour des utilisations où la concentration de cuivre dépasse 1,3 ppm, veuillez communiquer avec l'équipe d'assistance technique de Watts Water. Pour réduire davantage tout problème d'excès de cuivre, évitez d'appliquer un débit trop élevé sur les surfaces intérieures des tuyaux et utilisez un flux soluble à l'eau peu corrosif conforme à la norme ASTM B813.

AVIS

†Le média OneFlow ne réduit pas le détartrage de la silice. Bien que la silice tende à avoir un effet moins important sur la formation de tartre que les autres minéraux, elle peut agir en tant que liant, rendant les taches d'eau et les résidus de tartre à l'extérieur du système de plomberie difficiles à enlever. Cette limite de 20 ppm est à des fins esthétiques.

††Tous les autres contaminants doivent satisfaire aux exigences de la Safe Drinking Water Act de l'Environmental Protection Agency des États-Unis. Les MCL des minéraux et métaux précis, identifiés dans la publication de Watts, Feed Water Chemistry Requirements (Exigences relatives à l'état chimique de l'eau d'alimentation), remplacent la SDWA de la USEPA.

Une eau qui contient des charges importantes de saletés et de débris peut nécessiter une préfiltration avant l'utilisation de OneFlow®.

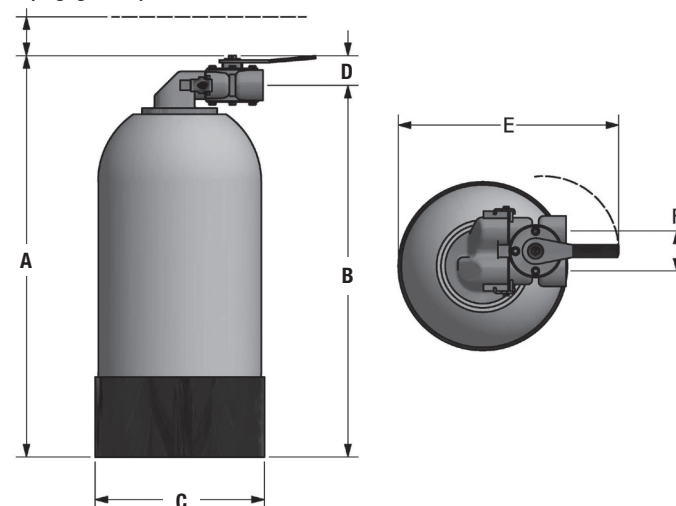
Spécifications mécaniques

Modèle	OF817-8H	OF817-12H	OF1019-20H
Raccords d'entrée/sortie :	1 po FNPT	1 po FNPT	1 po FNPT
Débit Maximum	8 g/m (30 l/m)	12 g/m (45 l/m)	20 g/m (75 l/m)
Poids à vide (lb/kg)	37 lb/ 16,8 kg	38 lb/ 17,3 kg	60 lb/ 27,3 kg

Médium de remplacement

Modèle	Fréquence de remplacement
OF817-8HRM	Le médium doit être remplacé tous les 3 ans
OF817-12HRM	Le médium doit être remplacé tous les 3 ans
OF1019-20HRM	Le médium doit être remplacé tous les 3 ans

G (dégagement)



Dimensions

Modèle	Dimensions							
	A		B		C		D	
	po	mm	po	mm	po	mm	po	mm
OF817-8H	20	508	18 $\frac{3}{8}$	472	8 $\frac{1}{2}$	216	1 $\frac{3}{8}$	36
OF817-12H	20	508	18 $\frac{3}{8}$	472	8 $\frac{1}{2}$	216	1 $\frac{3}{8}$	36
OF1019-20H	22	559	20 $\frac{3}{8}$	523	10 $\frac{1}{2}$	267	1 $\frac{3}{8}$	36

Poids

E		F		G		Poids	
po	mm	po	mm	po	mm	lb	kg
11	279	2	51	6	152	15	6,8
11	279	2	51	6	152	16	7,3
13	330	2	51	6	152	26	11,8

AVIS

Lorsque les systèmes OneFlow® sont installés au rez-de-chaussée d'un bâtiment, il est conseillé qu'un **reniflard** soit également installé pour protéger contre le risque d'effondrement du réservoir si le système de plomberie venait à être vidé. En l'absence de reniflard, le système doit être placé en dérivation chaque fois que le système de plomberie est purgé. Le code EDP pour le reniflard recommandé est 0556031 (non fourni). Le reniflard doit être installé sur la sortie du système.

AVIS

Le réservoir n'est que partiellement rempli de médium. Le réservoir est beaucoup plus léger qu'un adoucisseur d'eau et peut sembler presque vide. Cela est normal et nécessaire pour le fonctionnement du lit fluidisé avec courant ascendant.

Installation

Serrez la tête du réservoir

AVIS

Vérifiez la tête sur le dessus du réservoir. C'est courant qu'elle se desserre pendant le transport. Serrez manuellement la tête.

AVIS

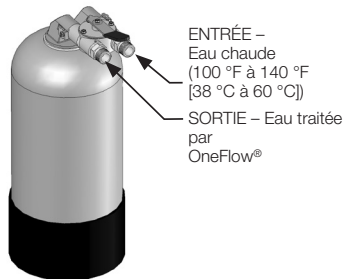
Le système doit être utilisé en position verticale. Ne le déposez pas pendant le fonctionnement.

1. Placez le système à l'emplacement souhaité. Assurez un dégagement adéquat afin que la vanne de dérivation puisse être utilisée, au besoin.

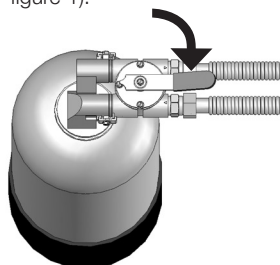
AVIS

Le système OneFlow® fonctionne en mode courant ascendant, ce qui est l'opposé d'un adoucisseur conventionnel. (Les flèches moulées dans la vanne de dérivation sont destinées à un adoucisseur conventionnel et sont donc à l'OPPOSÉ du débit de fonctionnement approprié OneFlow®.)

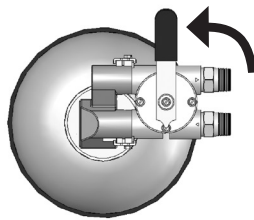
2. Raccordez le tuyau d'arrivée d'eau chaude à l'entrée du système OneFlow®. Nous recommandons l'utilisation de raccords flexibles en acier inoxydable (non fournis avec le système, mais offerts chez Watts). Inclure une vanne d'alimentation (fournie par l'utilisateur) dans cette conduite d'alimentation. Le poids total de la tuyauterie et des vannes doit être soutenu par des suspensions de tuyaux ou d'autres moyens. Respectez les pratiques standards et les codes locaux de plomberie.



3. Placez la vanne de dérivation en position SERVICE (illustré à la figure 1).



Position de service



Position de dérivation

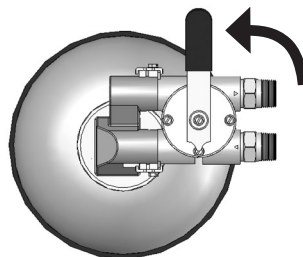
4. Placez un seau sous l'orifice de sortie ou installez une conduite allant de l'orifice de sortie jusqu'à un drain.
5. Ouvrir lentement et partiellement le robinet d'alimentation (fourni par l'utilisateur) allant au système OneFlow. Laissez le réservoir se remplir d'eau. Fermez le robinet d'alimentation lorsqu'un flux d'eau régulier s'écoule de l'orifice de sortie. Une fois que le réservoir est plein, attendre 4 heures pour permettre aux médias de s'« hydrater ».
6. Raccordez la sortie du système OneFlow® au conduit d'alimentation de l'appareil qui nécessite de l'eau préchauffée.
7. Ouvrez le robinet d'alimentation en direction du système OneFlow®.
8. Faites fonctionner le cycle de remplissage sur l'appareil raccordé pour éliminer les bulles d'air du ou des conduits.
9. Vérifiez qu'il n'y a pas de fuites. Réparez au besoin.
10. Le système est maintenant prêt pour fonctionner.

Procédure de remplacement du médium

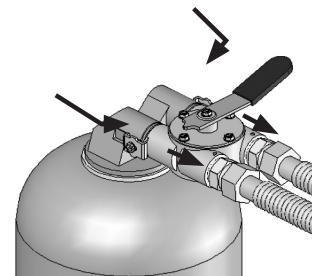
AVIS

Votre média OneFlow doit être remplacé tous les 3 ans. Éliminer le vieux média et/ou contenant conformément aux règlements locaux, régionaux, nationaux et/ou internationaux.

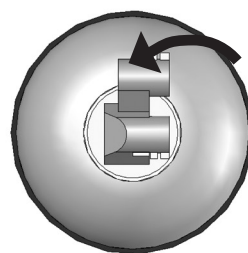
Fermer le robinet d'alimentation en eau du système et faire fonctionner le cycle de remplissage sur l'équipement en aval pour libérer la pression dans le système de plomberie.



Placez la vanne de dérivation dans la position de DÉRIVATION.



Desserrer les deux vis hexagonales et retirer la vanne de dérivation de la tête.



Dévissez et retirez la tête du réservoir ainsi que le tuyau et le distributeur.



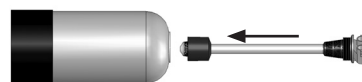
Videz l'eau et le médium dans un seau. Versez l'eau et éliminez le médium.



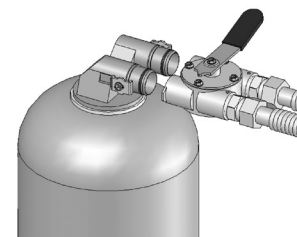
Versez le nouveau médium dans le réservoir. Nettoyer les filets du réservoir de tout média lâche.



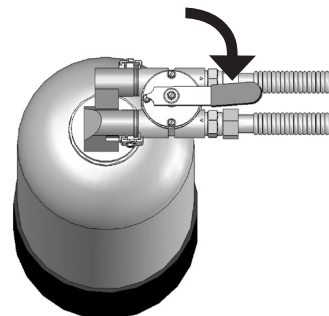
Lubrifiez le joint torique sous la tête du réservoir. Utiliser uniquement du lubrifiant de joint torique au silicone.



Placez le réservoir sur son côté. Installez la tête du réservoir et le distributeur dans le réservoir. Relever le réservoir en position verticale et serrer manuellement la tête jusqu'à ce qu'elle soit serrée.



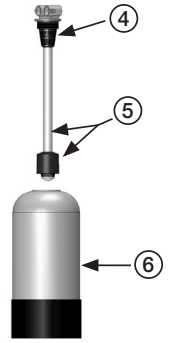
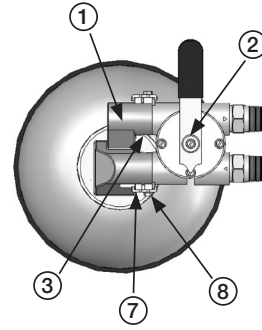
Retourner le réservoir à l'emplacement d'installation. Installez la vanne de dérivation sur la tête du réservoir. Installez et serrez les pinces de fixation.



Ouvrir la vanne d'alimentation vers le système OneFlow. Déplacer lentement la poignée de la vanne de dérivation en position SERVICE et attendre 4 heures pour que le média s'hydrate. Faire fonctionner le cycle de remplissage sur l'appareil raccordé pour éliminer les bulles d'air de la ou des conduites. Vérifier s'il y a des fuites et les réparer, au besoin. Le système est maintenant prêt pour fonctionner.

Liste des pièces

Élément	Qté	Description
1	1	TÊTE DU RÉSERVOIR
2	1	VANNE DE DÉRVATION
3	2	DÉRIVATION VERS L'ACCOUPLEMENT DE TÊTE DE RÉSERVOIR AVEC DES JOINTS TORIQUES
4	1	GRILLE SUPÉRIEURE
5	1	TUBE DISTRIBUTEUR AVEC GRILLE INFÉRIEURE
6a.	1	RÉSERVOIR 8X17 (POUR LES MODÈLES OF817-8H ET OF817-12H)
6b.	1	RÉSERVOIR 10X19 (POUR MODÈLE OF1019 SEULEMENT)
7	2	ATTACHE DE FIXATION TÊTE À DÉRVATION
8	2	VIS D'ATTACHE DE FIXATION



Garantie limitée

- Le système de réservoir OneFlow® est garanti comme étant exempt de tout défaut, tant au niveau des matériaux utilisés que de la main d'œuvre, et ce, pendant cinq (5) ans à compter de l'expédition initiale.
- Le rendement du médium OneFlow® est garanti pendant deux (2) ans à compter de la date de l'installation initiale lorsqu'il est installé et utilisé conformément aux instructions du manuel d'installation et d'utilisation correspondant.

Watts Regulator Company garantit ses systèmes de cartouches OneFlow® comme suit :

- Le système de cartouches OneFlow® est garanti comme étant exempt de tout défaut, tant au niveau des matériaux utilisés que de la main d'œuvre, et ce, pendant un (1) an à compter de l'expédition initiale.
- Les cartouches OneFlow® sont garanties pendant une période d'un an à compter de la date de l'installation initiale lorsqu'elles sont installées et utilisées conformément aux instructions du manuel d'installation et d'utilisation correspondant.
- Les cartouches de filtres de remplacement au charbon ne sont pas garanties pour fonctionner pour une période de temps donnée, car la durée de vie du filtre au charbon varie considérablement en fonction des conditions locales et du volume.

Conditions

1. Le système OneFlow® doit être installé dans des applications fournies en eau par la municipalité dans le respect des directives de l'EPA.
2. Toute panne d'un composant ne doit pas découler d'un abus, d'un incendie, du gel ou d'autres phénomènes naturels, actes de violence ou d'une mauvaise installation.
3. L'équipement doit être installé et utilisé en conformité avec les codes de plomberie locaux et sur un approvisionnement en eau approuvé.
4. L'équipement est limité à une utilisation à des pressions d'eau et des températures qui ne dépassent pas les spécifications que nous avons publiées.
5. L'approvisionnement en eau ne doit pas dépasser 2,0 ppm de chlore. Pour l'approvisionnement en eau dépassant 2,0 ppm de chlore, un prétraitement est nécessaire. (Veuillez communiquer avec votre spécialiste au traitement de l'eau.)
6. L'information, y compris le numéro de modèle, le numéro de série et la date d'installation, doit être fournie pour toute réclamation concernant le matériel sous garantie.
7. Les pièces défectueuses sont soumises à une inspection par Watts Regulator Company ou par tout représentant autorisé avant que le recours définitif de la garantie soit exécuté.
8. Watts Regulator Company se réserve le droit d'apporter des modifications ou des substitutions aux pièces ou à l'équipement par du matériel de qualité égale ou de valeur égale et ensuite par du matériel de la production courante.

Limitations

Notre obligation en vertu de la présente garantie par rapport au réservoir ou à la vanne est limitée à fournir un remplacement pour, ou selon notre option, la réparation de l'ensemble des pièces ou d'une pièce à notre satisfaction qui se révèle/révèlent défectueuse(s) pendant la période de garantie indiquée ci-dessus. Ces pièces de rechange seront livrées au propriétaire F.O.B. (franco à bord) à l'usine la plus proche, sans frais, à l'exclusion des frais de livraison et de main-d'œuvre locale, le cas échéant.

Notre obligation en vertu de cette garantie par rapport au médium OneFlow® sera limitée à fournir un remplacement pour le médium dans les deux ans à compter de la date d'installation initiale. Ce remplacement sera livré au propriétaire F.O.B. à l'usine la plus proche, sans frais, à l'exclusion des frais de livraison et de main-d'œuvre locale, le cas échéant. Les dommages au médium attribuables au chlore, à d'autres comburants ou à l'encrassement provoqué par les conditions locales de l'eau ou toute autre opération en dehors des limites indiquées dans les caractéristiques ne sont pas couverts par la présente garantie.

LA PRÉSENTE GARANTIE EST EXPRESSE ET REPRÉSENTE LA SEULE GARANTIE OFFERTE PAR WATTS REGULATOR COMPANY POUR CE PRODUIT. WATTS REGULATOR COMPANY N'OFFRE AUCUNE AUTRE GARANTIE, EXPRESSE OU TACITE. PAR LA PRÉSENTE, WATTS REGULATOR COMPANY REJETTE SPÉCIFIQUEMENT TOUTE AUTRE GARANTIE, EXPRESSE OU TACITE, NOTAMMENT TOUTE GARANTIE TACITE DE QUALITÉ MARCHANDE OU D'ADAPTATION À UN BUT PARTICULIER.

Le recours décrit en vertu de cette garantie constitue le seul recours à toute violation de la présente garantie et Watts Regulator Company ne saurait être tenue responsable de tout dommage accessoire, spécial ou indirect, y compris, sans s'y limiter : le transport, la manutention, la perte de profits ou le coût afférent à la réparation ou au remplacement d'autres biens qui seraient endommagés par suite du fonctionnement incorrect dudit produit; d'autres coûts résultant de frais de main-d'œuvre, de retards, de vandalisme, de négligence, d'une obstruction causée par des corps étrangers, de dommages causés par une eau impropre, des produits chimiques ou par tout autre événement échappant au contrôle de Watts Regulator Company. La présente garantie est déclarée nulle et non avenue en cas d'usage abusif ou incorrect, d'une mauvaise utilisation ou d'une mauvaise installation du produit.

Certains États n'autorisent pas les limitations de durée d'une garantie tacite ou l'exclusion ou la limitation des dommages accessoires ou indirects. En conséquence, ces limitations pourraient ne pas s'appliquer à votre cas. Cette garantie vous octroie des droits légaux, et il se peut que vous en ayez d'autres qui varient d'un État à l'autre. Vous devez donc prendre connaissance des lois applicables pour votre cas particulier. **DANS LA MESURE PERMISE PAR LA LOI APPLICABLE DE L'ÉTAT, TOUTES LES GARANTIES TACITES NE POUVANT PAS ÊTRE REJETÉES, Y COMPRIS LES GARANTIES TACITES DE QUALITÉ MARCHANDE ET D'ADAPTATION À UN BUT PARTICULIER, SONT LIMITÉES EN DURÉE AUX PÉRIODES DE GARANTIE APPLICABLES CI-DESSUS.**



É.-U. : T: (800) 224-1299 • Watts.com

Canada : T: (905) 332-4090 • Watts.ca

Amérique latine : T: (52) 55-4122-0138 • Watts.com