

Installation Instructions Series LFIPF

LEAD FREE* Isolation Pump Flange

Series LFIPF valves are designed to simplify the installation, service, and removal of pumps or circulators in potable and hydronic systems.

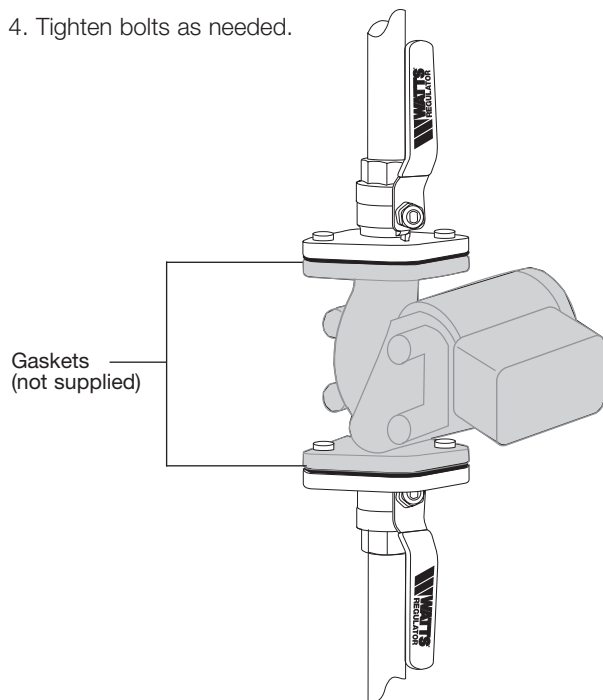
Installation

1. To install, simply bolt the LFIPF flange to the pump or circulator flange. Be sure the pump flange has its rubber gasket in place.



**Do not install LFIPF valves without pump gasket!
Contact your local distributor to purchase pump gaskets
if pump gaskets are missing.**

2. Tighten bolts joining the LFIPF flange to the pump flange.
3. When system is started, inspect for leaks.
4. Tighten bolts as needed.



For Solder Models (LFIPF-S)

This valve is designed to be soft soldered into lines without disassembly, using a low temperature solder 420°F (216°C). Other solders such as 95/5 tin antimony 460°F (216°C) or 96/4 tin silver 430°F (221°C) can be used, however extreme caution must be used to prevent seal damage. Higher temperature solders will damage the seat material. ANSI B16.18 states that the maximum operating pressure of 50-50 solder connections is 200psi (13.8 bar) at 100°F (38°C), and decreases with higher temperatures.

Apply heat with the flame directed AWAY from the center of the valve body. Excessive heat can harm the seats.

*The wetted surface of this product contacted by consumable water contains less than 0.25% of lead by weight.

CALIFORNIA PROPOSITION 65 WARNING

WARNING: This product contains chemicals known to the State of California to cause cancer and birth defects or other reproductive harm. (California law requires this warning to be given to customers in the State of California.)

For more information: www.watts.com/prop65

Limited Warranty: Watts Regulator Co. (the "Company") warrants each product to be free from defects in material and workmanship under normal usage for a period of one year from the date of original shipment. In the event of such defects within the warranty period, the Company will, at its option, replace or recondition the product without charge.

THE WARRANTY SET FORTH HEREIN IS GIVEN EXPRESSLY AND IS THE ONLY WARRANTY GIVEN BY THE COMPANY WITH RESPECT TO THE PRODUCT. THE COMPANY MAKES NO OTHER WARRANTIES, EXPRESS OR IMPLIED. THE COMPANY HEREBY SPECIFICALLY DISCLAIMS ALL OTHER WARRANTIES, EXPRESS OR IMPLIED, INCLUDING BUT NOT LIMITED TO THE IMPLIED WARRANTIES OF MERCHANTABILITY AND FITNESS FOR A PARTICULAR PURPOSE.

The remedy described in the first paragraph of this warranty shall constitute the sole and exclusive remedy for breach of warranty, and the Company shall not be responsible for any incidental, special or consequential damages, including without limitation, lost profits or the cost of repairing or replacing other property which is damaged if this product does not work properly, other costs resulting from labor charges, delays, vandalism, negligence, fouling caused by foreign material, damage from adverse water conditions, chemical, or any other circumstances over which the Company has no control. This warranty shall be invalidated by any abuse, misuse, misapplication, improper installation or improper maintenance or alteration of the product.

Some States do not allow limitations on how long an implied warranty lasts, and some States do not allow the exclusion or limitation of incidental or consequential damages. Therefore the above limitations may not apply to you. This Limited Warranty gives you specific legal rights, and you may have other rights that vary from State to State. You should consult applicable state laws to determine your rights. **SO FAR AS IS CONSISTENT WITH APPLICABLE STATE LAW, ANY IMPLIED WARRANTIES THAT MAY NOT BE DISCLAIMED, INCLUDING THE IMPLIED WARRANTIES OF MERCHANTABILITY AND FITNESS FOR A PARTICULAR PURPOSE, ARE LIMITED IN DURATION TO ONE YEAR FROM THE DATE OF ORIGINAL SHIPMENT.**



USA: Tel: (978) 688-1811 • Fax: (978) 794-1848 • www.watts.com

Canada: Tel: (905) 332-4090 • Fax: (905) 332-7068 • www.watts.ca



A Watts Water Technologies Company